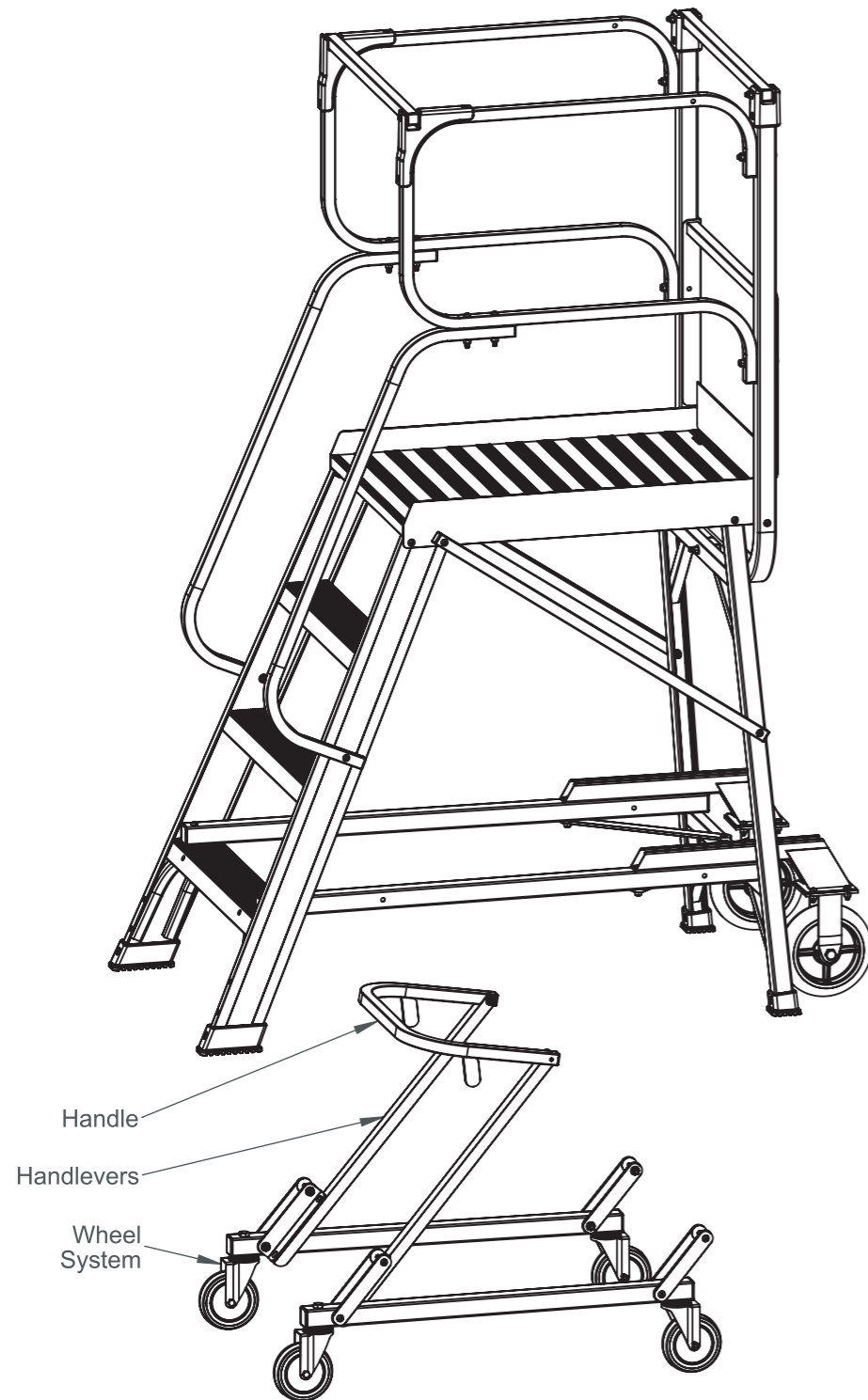


## Step 3 (optional)

(h) Remove the handle, handlevers and wheel system.



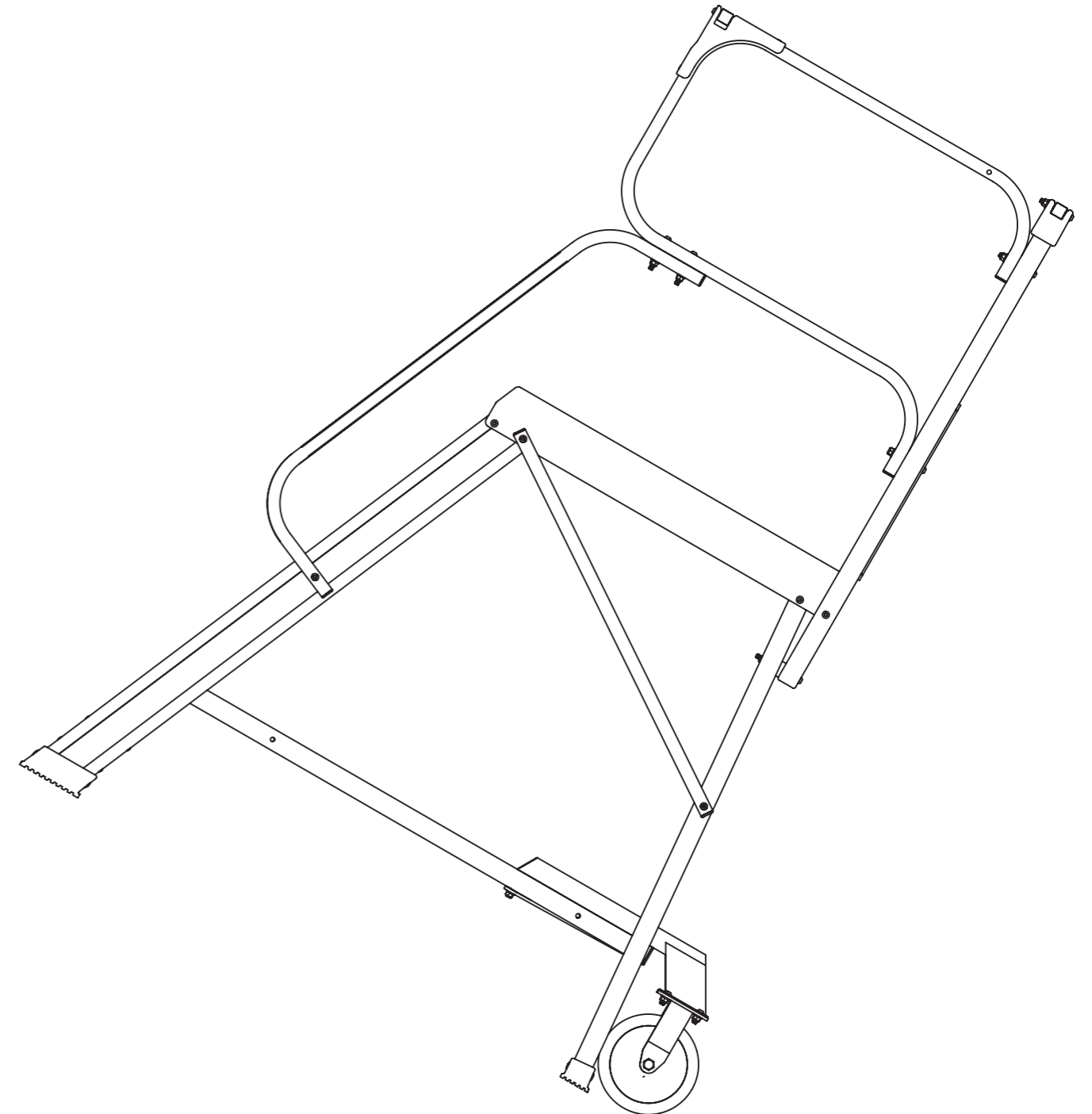
### WARNING:

Failure to comply with all instructions may result in serious injury. Before assembling this product, identify all components. If any components are missing or damaged, return to the place of purchase. Do not substitute any components. Firmly tighten all fasteners. Do not over-tighten fasteners. AS 1892: Portable Ladders. Read and understand assembly instructions and labels before use. Inspect all components for damage before use. Ensure enclosed slip resistant footwear is worn at all times. Ensure ladder is only used on firm and level ground. Do not overreach. Always keep your 'belt buckle' inside the footprint of the ladder. Do not move the ladder with users, tools or materials on the platform. Do not use this ladder if you tire easily or are subject to fainting spells, are using medication, drugs or alcohol, are pregnant or physically handicapped. The manufacturer/importer Werner Co. will not be responsible for damage or injury to persons through misuse of ladders. For Goods Return, this package must be in original condition. If the contents are opened and or partially assembled they will not be accepted as a returnable item.



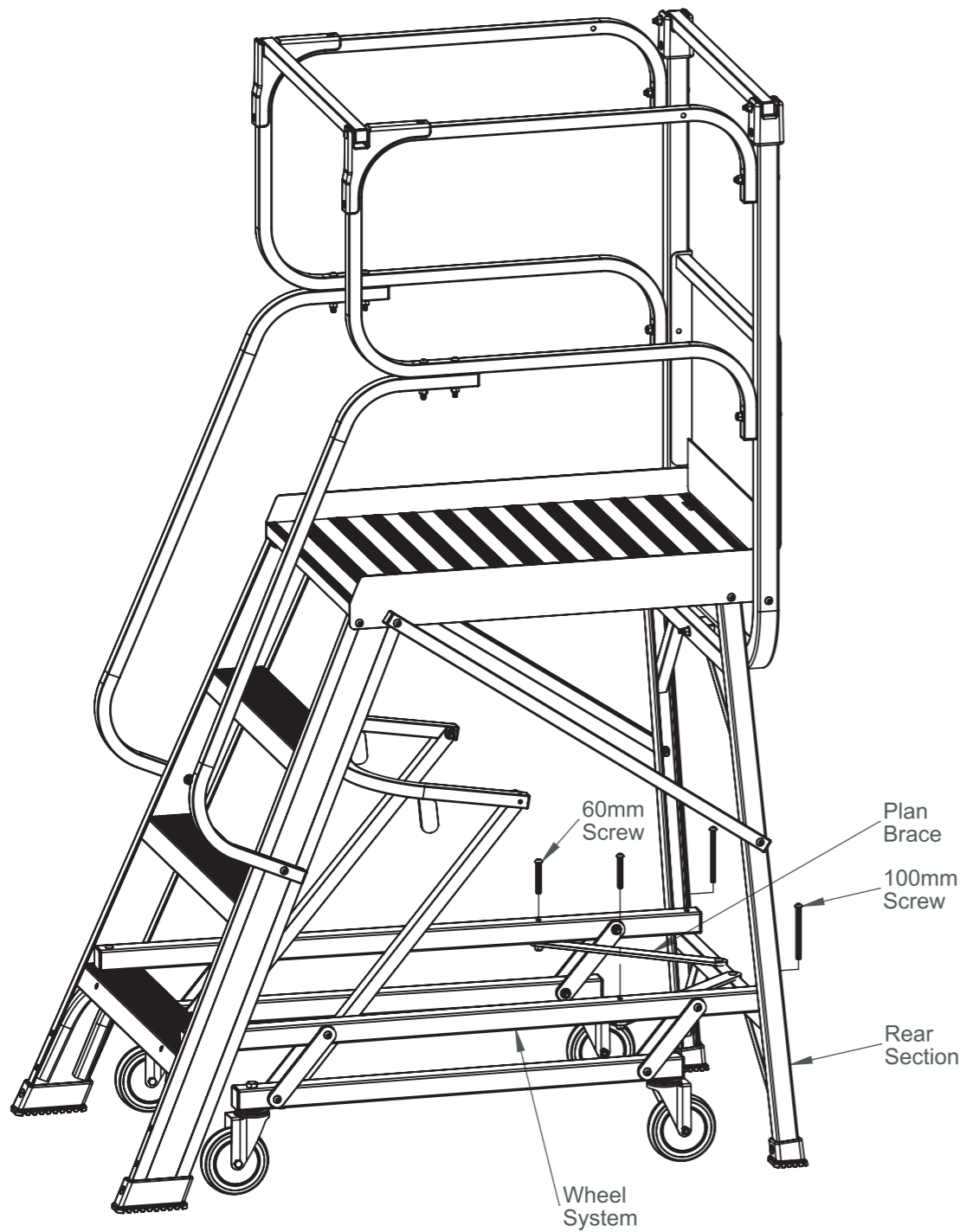
## ASSEMBLY MANUAL

READ THESE INSTRUCTIONS COMPLETELY  
BEFORE STARTING WORK



## Step 1

- (a) Lower the wheel system so the feet are on the ground.
- (b) Remove the 100mm screws from the wheel system and the rear section.
- (c) Remove the 60mm screws from the wheel system and the plan brace.



## Step 2

- (d) Position the castor and rail assembly on top of the wheel system.
- (e) Insert the 100mm screws through the castor and rail assembly, wheel system and rear section.
- (f) Insert the 60mm screws through the castor and rail assembly, wheel system and plan brace.
- (g) Firmly tighten all fasteners.

