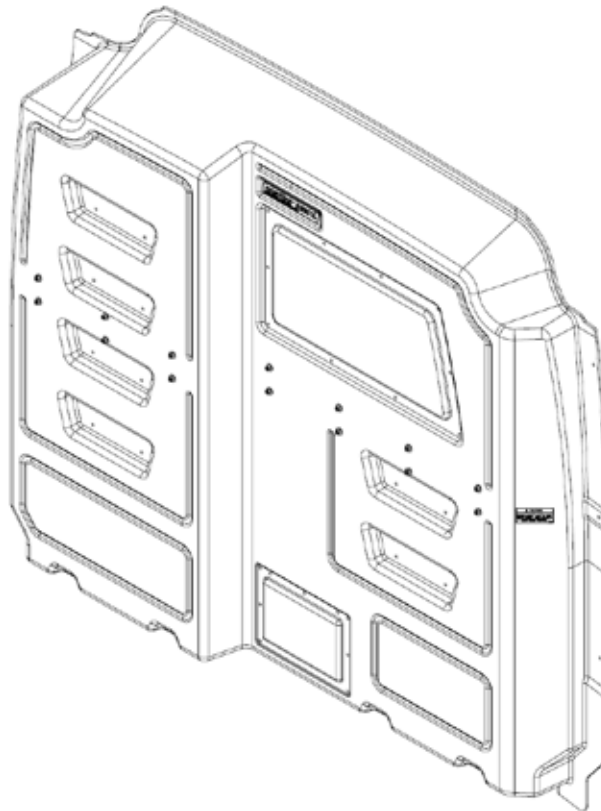




**VAN STORAGE SOLUTIONS**  
FOR THE WAY YOU WORK™

**CAB/MAX™**  
COMPOSITE BULKHEAD

## INSTALLATION INSTRUCTIONS for RAM PROMASTER COMPOSITE BULKHEAD



### MODEL 96140-3-01

Weather Guard / KNAACK  
420 E. Terra Cotta Ave.  
Crystal Lake, IL 60014 USA

800-456-7865 (Toll Free)  
800-334-2981 (Fax)  
Knaack.OrderEntry@wernerco.com

Weather Guard / KNAACK  
9133 Leslie St. Unit 105  
Richmond Hill, ON L4B4N1

888-562-2251 (Toll Free)  
888-456-8460 (Fax)  
Knaack.OrderEntry.Canada@wernerco.com

ATTENTION: PLEASE READ AND UNDERSTAND ALL INSTRUCTIONS AND WARNINGS  
BEFORE ASSEMBLING, INSTALLING OR USING THIS PRODUCT.

## INSTALLATION GUIDELINES

- Before cutting or drilling in the B-pillar, verify the location of the seat belt mechanism and electrical cables to prevent damaging vital components.
- Always wear protective eyewear to keep debris out of your eyes when installing WEATHER GUARD® Van Products.
- Tighten all M6 hardware to 76 in-lb and all M8 hardware to 13 ft-lb when ready.
- A Window Accessory (96906-3-01) and a Dog Door Accessory (96908-3-01) are also available for this product. If installing either of these accessories, it is recommended that they be installed to the bulkhead before installing the bulkhead into the van.
- Additional Accessory Panels (96905-3-01) are also available.
- **This product is designed and intended for use on all wheelbases of RAM ProMaster vans.**

## OPERATION GUIDELINES

- Any modifications made to this product, or use of this product for any other purpose than its intended use, could create a hazardous condition that can cause serious personal injury or property damage.
- **At the end of the first week of use, check all of the fasteners for proper tightness and then check every three months thereafter.**

## HARDWARE KIT

DESCRIPTION	QTY
M6-1.0 Hex-Body Rivet Nut	6
M8-1.25 Hex-Body Rivet Nut	1
M6-1.0 x 35mm Bolt	6
M6-1.0 x 50mm Bolt	1
M8-1.25 x 25mm Bolt	1
M8-1.25 x 55mm Bolt	1
1/4" Washer	6
3/4" Spacer	6
Blind Fastener Installation Tool	1

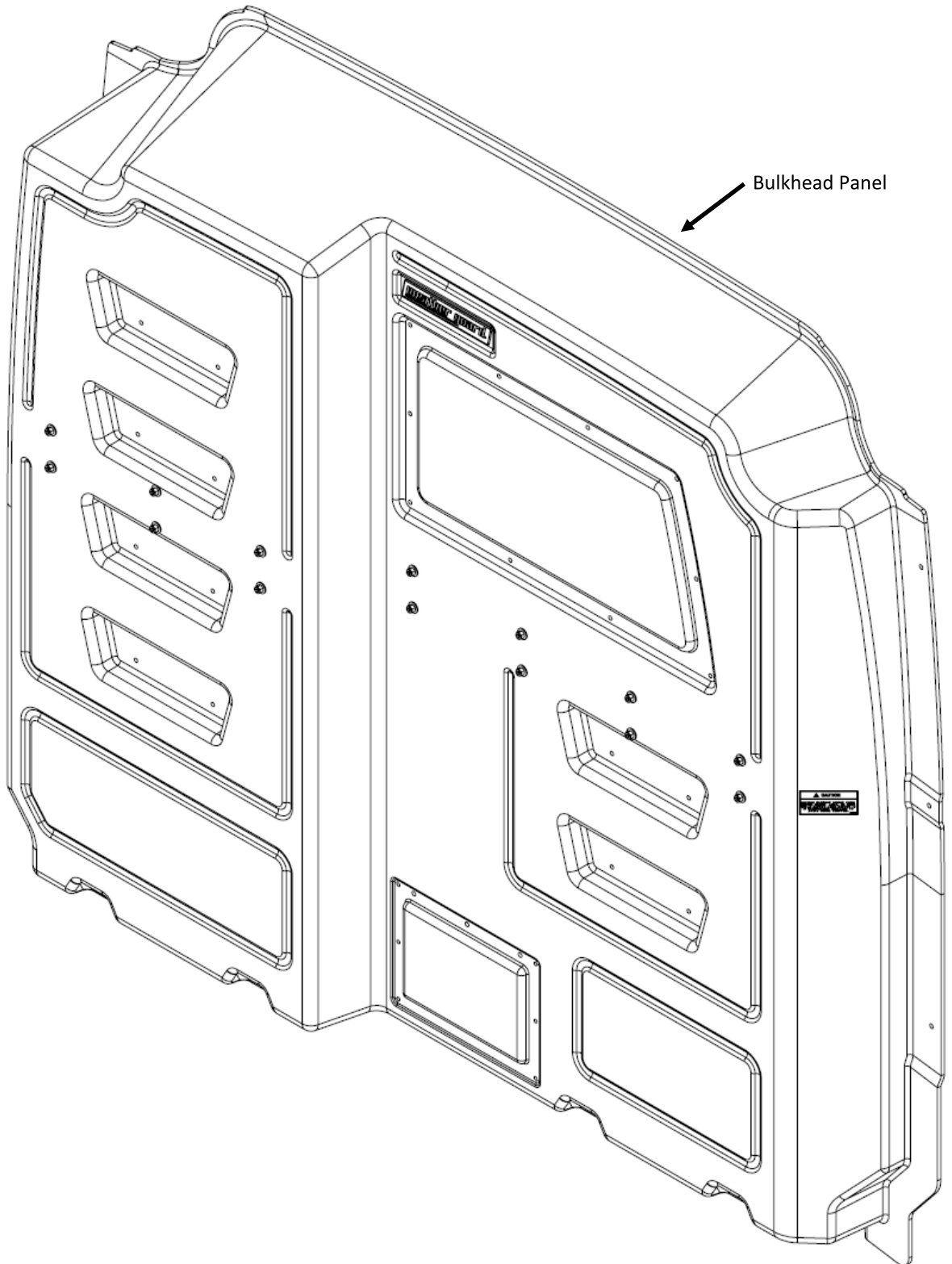
## TOOLS REQUIRED

Ratchet  
10mm Socket  
13mm Socket  
T-40 Torx Socket  
Socket Extension(s)  
9/16" Wrench  
Drill  
3/8" Drill Bit  
1" Hole Saw  
Torque wrench

# PARTS LIST

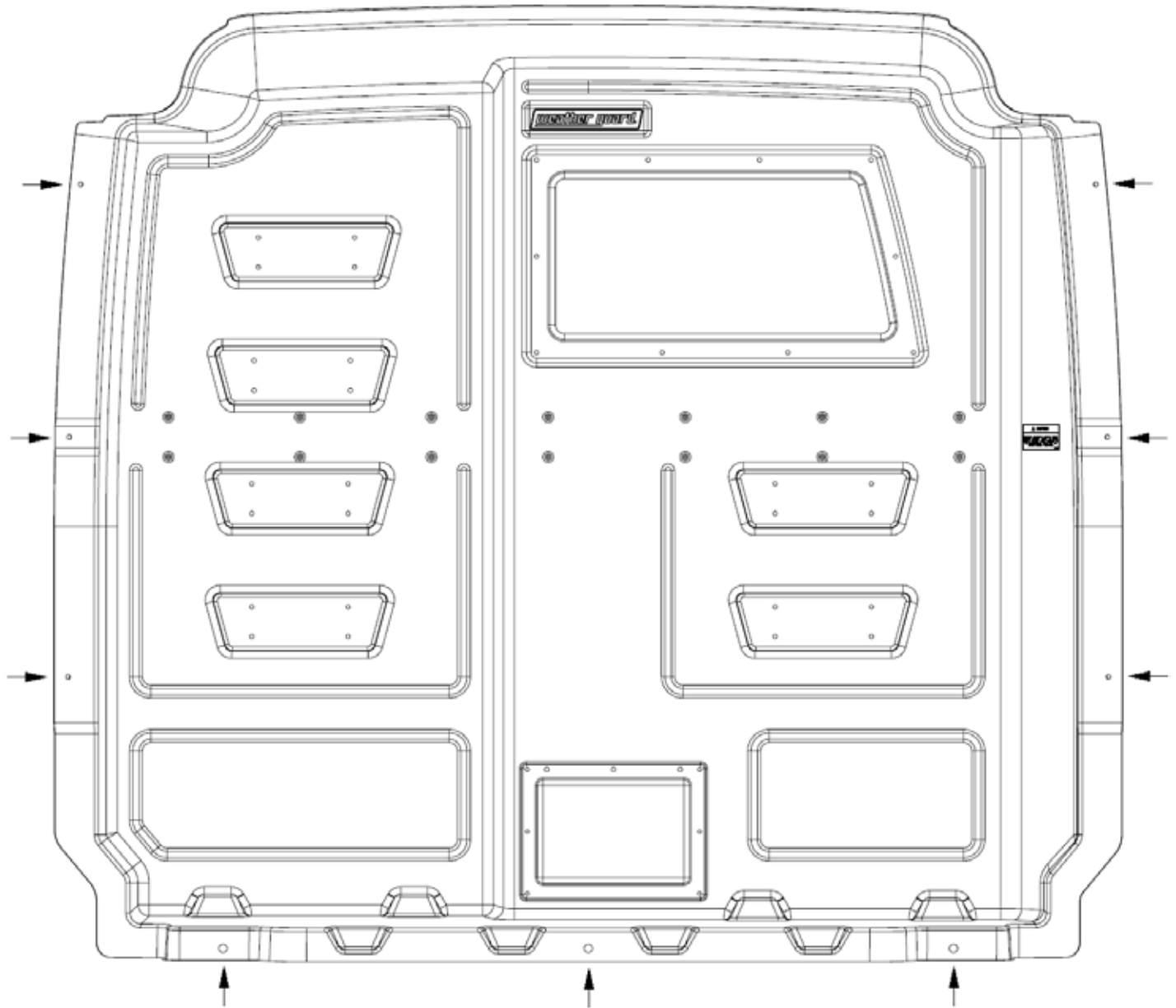
DESCRIPTION	QTY
Bulkhead Panel	1
*Weatherstrip	1

\*Not Shown



## BULKHEAD & VAN PREPARATION INSTRUCTIONS

**STEP 1.** Drill 3/8" holes in the bulkhead panel at the 6 dimples along the sides and at the 3 dimples along the bottom of the panel.

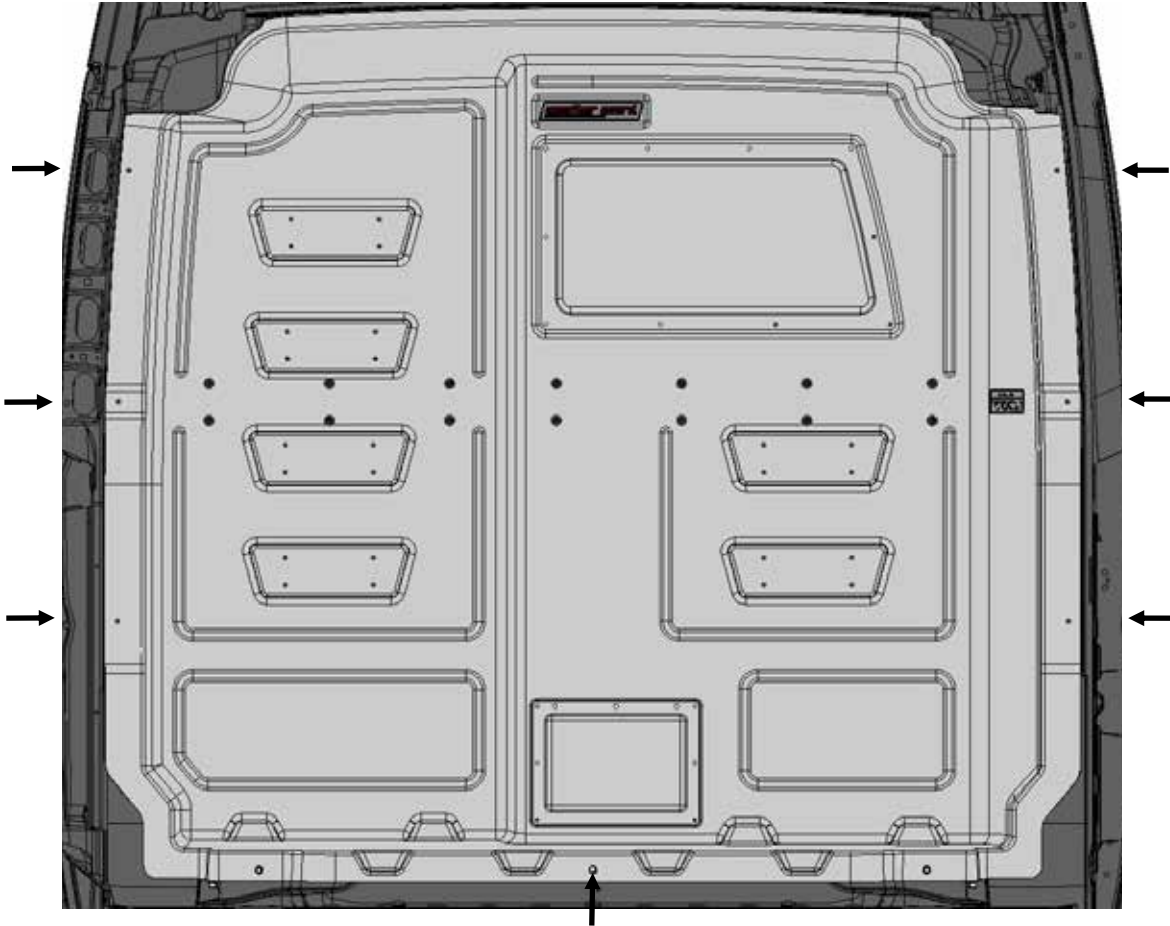


**STEP 2.** Remove the D-Rings from the base of the B-pillar of the van (Keep for later use).

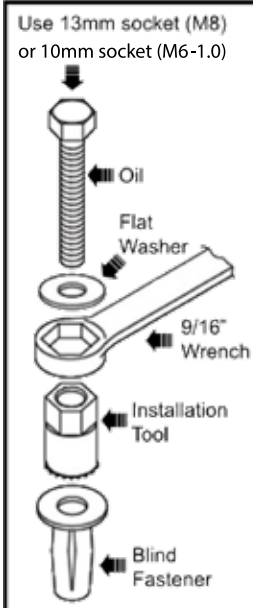


## VAN PREPARATION INSTRUCTIONS

- STEP 3.** Place the Bulkhead into the van against the B-pillar. Loosely bolt the bulkhead in place using the D-Rings. (It may be helpful to place the packaging foam underneath to help support the bulkhead.) Ensure the Bulkhead is as far up against the headliner as possible and mark the 6 hole locations on the B-Pillar Trim. Take note of the hex hole between the D-rings that lines up with the hole in the bottom center of the bulkhead.



- STEP 4.** Remove the D-Rings & pull the Bulkhead out of the van or push it out of the way into the back of the van.
- STEP 5.** At the marked B-Pillar locations, locate the hex hole in the van sheet metal behind the plastic trim and cut the trim using a 1" hole saw in line with the hex hole. Install M6 Rivet nuts in the hex holes.
- STEP 6.** At the noted bottom location, install the M8 Rivet nut in the hex hole.



### INSTALLATION PROCEDURE USING BLIND FASTENERS

Place a drop of oil on the M8-1.25 x 55mm or M6-1.0 X 50mm bolt before

Place the Blind Fastener in the hole and use a 13mm when installing M8 Blind Fastener or 10mm socket when installing M6-1.0 Blind Fastener and driver to tighten the bolt until the Blind Fastener is fully seated.

When setting the bolt, it will start out tight. As the Blind Fastener "bulbs" out it will get easier, until it bottoms out of sets.

Make sure the Blind Fastener and the installation tool do not slip during the installation.

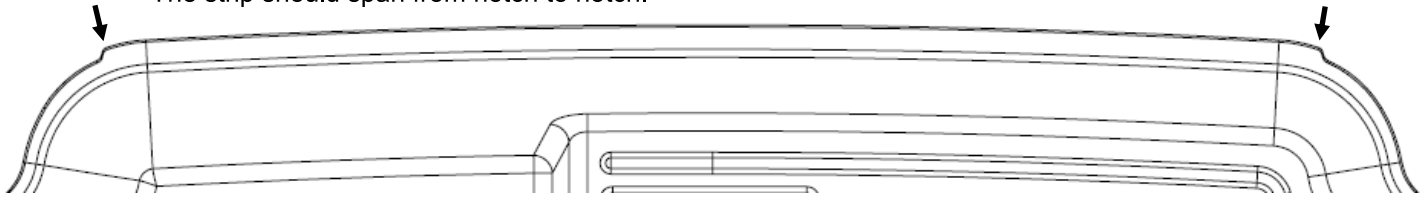
## BULKHEAD INSTALLATION INSTRUCTIONS

**STEP 7.** Tape a 3/4" Spacer in each of the holes in the B-Pillar Trim as shown below and poke a hole for the bolt..



Step 7 Tape Spacers to B-Pillar Trim

**STEP 8.** Clip the weatherstrip onto the center section of the top lip of the bulkhead with the bulb facing the cab side. The strip should span from notch to notch.



**STEP 9.** Set the Bulkhead back in place against the B-pillar of the van as done in Step 3.

**STEP 10.** Bolt the D-Rings back in place through the bulkhead. Tighten to 17 ft-lbs.

**STEP 11.** Bolt the Bulkhead to the center bottom blind fastener using the M8-1.25 x 25mm bolt. Tighten to 13 ft-lbs.



**STEP 12.** Bolt the Bulkhead to the B-pillar using M6-1.0 x 35mm bolts and flat washers. Tighten these bolts to 76 in-lbs.

## WARNING

This product can reduce the driver's ability to clearly see roadways, vehicular or pedestrian traffic and other objects through the rear and side windows of the vehicle, which can cause an accident. Extra precautions should be taken when driving a vehicle with this product. Make all adjustments necessary to ensure maximum visibility, including but not limited to, changing mirror and seating positions. State and local laws may prohibit obstruction of windows in a moving vehicle.

These instructions are to be followed using the parts and fasteners supplied for proper installation. Any modifications or improper installation of this product will create a hazardous condition that could result in death, serious personal injury and/or property damage.

## CAUTION

Prior to drilling, so as not to cut electric wires, fuel lines, brake lines, etc., check behind and underneath drilling and mounting locations. To keep debris out of your eyes when checking the underside of the vehicle, or when drilling, always wear protective eye wear. Failure to heed this warning will result in death or serious injury.

## - NOTICE -

Any modification or unintended use of this product shall immediately void all manufacturer's warranties. Manufacturer disclaims all liability for injuries to persons or property resulting from any modification to, or unintended use of this product.

## WERNER CO. LIMITED LIFETIME WARRANTY FOR WEATHER GUARD® PRODUCTS

### WEATHER GUARD® Products — Limited Lifetime Warranty (Purchased on or after 1/1/2009)

WERNER CO. (the "Manufacturer") warrants to the original purchaser only that WEATHER GUARD® Truck and Van Products (the "WEATHER GUARD® Product") will be free from defects in material and workmanship from the date of purchase and continuing for the expected lifetime of the WEATHER GUARD® Product. A copy of the original sales receipt must be supplied to the Manufacturer at the time a warranty claim is made. This warranty terminates if the original purchaser transfers the WEATHER GUARD® Product to any other person.

#### What is Covered

All WEATHER GUARD® Products identified above that are purchased on or after January 1, 2009.

#### What We Will Do to Correct Problems

Subject to the limitations and exclusions described in this limited warranty, the Manufacturer will remedy defects in materials or workmanship by providing one of the following remedies at its option and without charge to the original purchaser for parts or labor: (a) repairing the defective portion of the WEATHER GUARD® Product or (b) replacing the entire WEATHER GUARD® Product. In addition, the manufacturer may elect at its option, not to repair or replace the WEATHER GUARD® Product, but rather issue to the original purchaser a refund equal to the purchase price paid for the WEATHER GUARD® Product or a credit to be used toward the purchase of new WEATHER GUARD® Product.

#### What is Not Covered

This limited warranty expressly excludes:

- Defects caused by normal wear and tear, cosmetic rust, scratches, accidents, unlawful vehicle operation, or modification to the product, or any types or repair of a WEATHER GUARD® Product other than those authorized or provided by the Manufacturer.
- Defects resulting from conditions beyond the Manufacturer's control including, but not limited to misuse, overloading, or failure to assemble, mount or use the WEATHER GUARD® Product in accordance with the Manufacturer's written instructions or guidelines included with the WEATHER GUARD® Product or made available to the original purchaser.
- Damage to the contents of the box or vehicle.
- TO THE EXTENT PERMITTED BY LAW, IN NO EVENT SHALL THE MANUFACTURER BE LIABLE FOR ANY INCIDENTAL, SPECIAL, INDIRECT, OR CONSEQUENTIAL DAMAGES, INCLUDING ANY ECONOMIC LOSS, WHETHER RESULTING FROM NON-PERFORMANCE, USE, MISUSE OR INABILITY TO USE THE WEATHER GUARD® PRODUCT OR THE MANUFACTURER'S NEGLIGENCE.

#### No Other Express Warranty Applies

This Limited Lifetime Warranty is the sole and exclusive warranty for WEATHER GUARD® Products. No employee, agent, dealer, or other person is authorized to alter this warranty or make any other warranty on behalf of WERNER CO.

#### Notification Procedures

If the WEATHER GUARD® Product does not conform with the terms of this limited warranty, the original owner must promptly notify the Manufacturer in writing upon discovery of the nonconformity. In order to receive the remedies under this limited warranty, the warranty claim must describe the nature of the nonconformity, and a copy of the original sales receipt, invoice, bill or other proof of purchase must accompany the claim. Repairs or modifications made to the WEATHER GUARD® Product by other than the Manufacturer or its authorized agent will nullify this limited warranty. Coverage under this limited warranty is conditioned at all times upon the owner's compliance with these required notification and repair procedures. Warranty claims must include reciprocal contact information and may be made via certified mail to:

#### WERNER CO. ATTN: Warranty Claims

420 E. Terra Cotta Avenue Crystal Lake, IL 60014

**If you have any questions, please call toll free at 1-800-456-7865.**

©2021 WERNER CO.

**WERNERCO™**