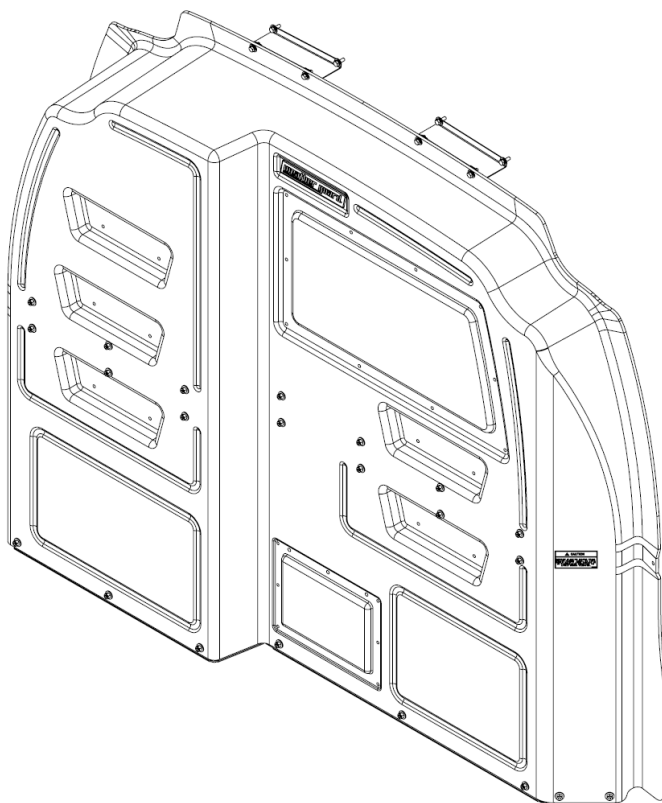


WEATHERGUARD.COM



VAN STORAGE SOLUTIONS
FOR THE WAY YOU WORK™

CAB/MAX™
COMPOSITE BULKHEAD
INSTALLATION INSTRUCTIONS for
CHEVROLET EXPRESS/GMC SAVANA
COMPOSITE BULKHEAD



MODEL 96100-3-01

Weather Guard / KNAACK
420 E. Terra Cotta Ave.
Crystal Lake, IL 60014 USA

800-456-7865 (Toll Free)
800-334-2981 (Fax)
Knaack.OrderEntry@wernerco.com

Weather Guard / KNAACK
9133 Leslie St. Unit 105
Richmond Hill, ON L4B4N1

888-562-2251 (Toll Free)
888-456-8460 (Fax)
Knaack.OrderEntry.Canada@wernerco.com

WEATHERGUARD.COM

**ATTENTION: PLEASE READ AND UNDERSTAND ALL INSTRUCTIONS AND WARNINGS
BEFORE ASSEMBLING, INSTALLING OR USING THIS PRODUCT.**

INSTALLATION GUIDELINES

- Before cutting or drilling in the B-pillar, verify the location of the seat belt mechanism and electrical cables to prevent damaging vital components.
- Always wear protective eyewear to keep debris out of your eyes when installing WEATHER GUARD® Van Products.
- Tighten all 1/4" hardware to 76 in-lb when ready.
- A Window Accessory (96906-3-01) and a Dog Door Accessory (96908-3-01) are also available for this product. If installing either of these accessories, it is recommended that they be installed to the bulkhead before installing the bulkhead into the van.
- Additional Accessory Panels (96905-3-01) are also available.
- **This product is designed and intended for use on all wheelbases of Chevrolet Express and GMC Savana vans.**

OPERATION GUIDELINES

- Any modifications made to this product, or use of this product for any other purpose than its intended use, could create a hazardous condition that can cause serious personal injury or property damage.
- **At the end of the first week of use, check all of the fasteners for proper tightness and then check every three months thereafter.**

HARDWARE KIT

DESCRIPTION	QTY
1/4-20 x 5/8" Carriage Bolt	16
1/4-20 x 3/4" Bolt	8
1/4-20 x 1-3/4" Bolt	2
M10-1.50 x 40mm Bolt	2
1/4-20 Rivet Nut	6
1/4-20 Nylon Lock Nut	16
1/4" Washer	26
7/16" Washer	2
1/2" OD x 1/2" Long Spacer	2
1" OD x 1/2" Long Spacer	2

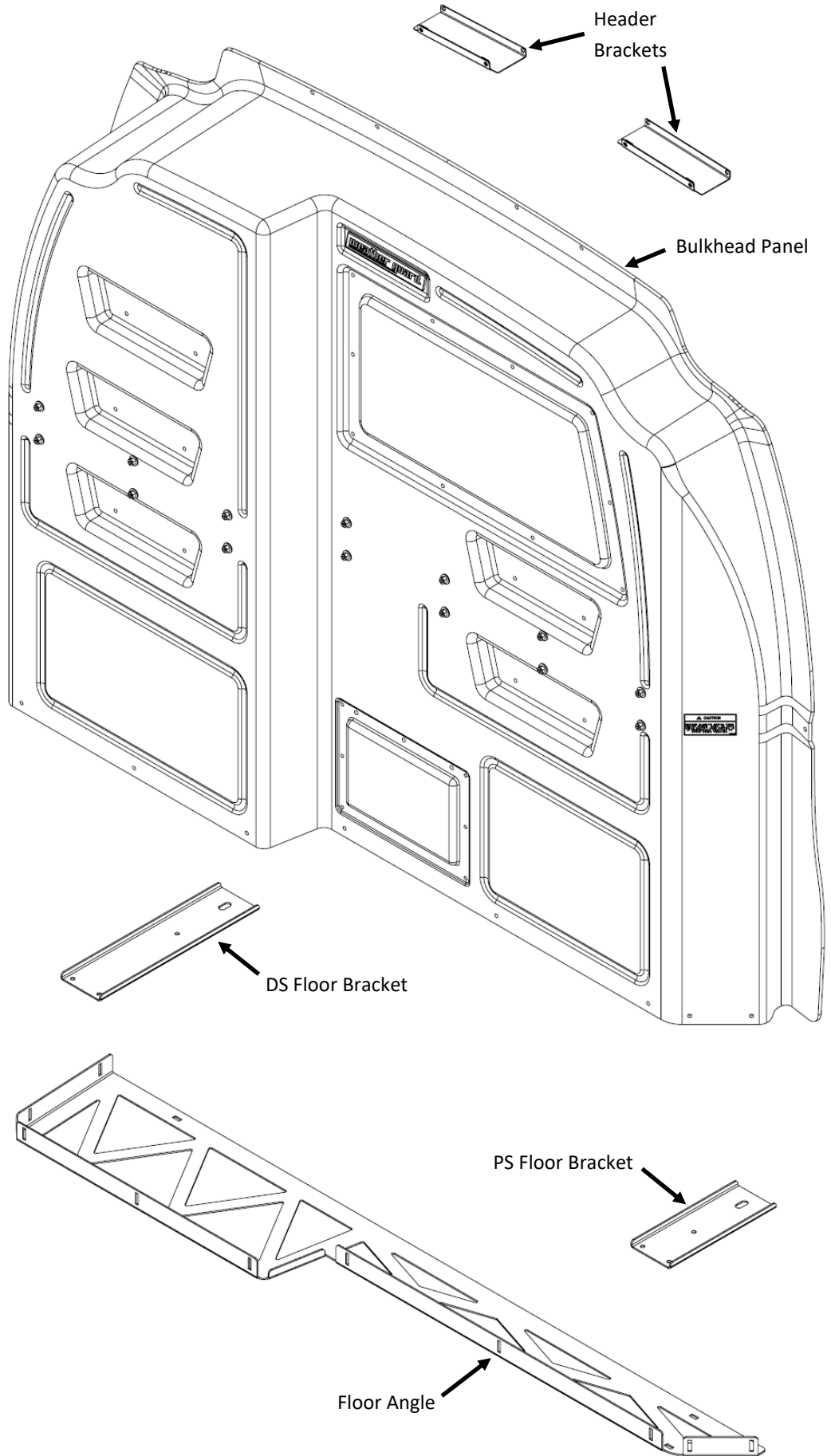
TOOLS REQUIRED

Ratchet
7/16" Socket
15mm Socket
T-50 Torx Socket
Socket Extension(s)
7/16" Wrench
9/16" Wrench
Drill
1/8" Drill Bit
5/16" Drill Bit
25/64" Drill Bit
1/2" Hole Saw
Rivet Nut Tool
Torque wrench

PARTS LIST

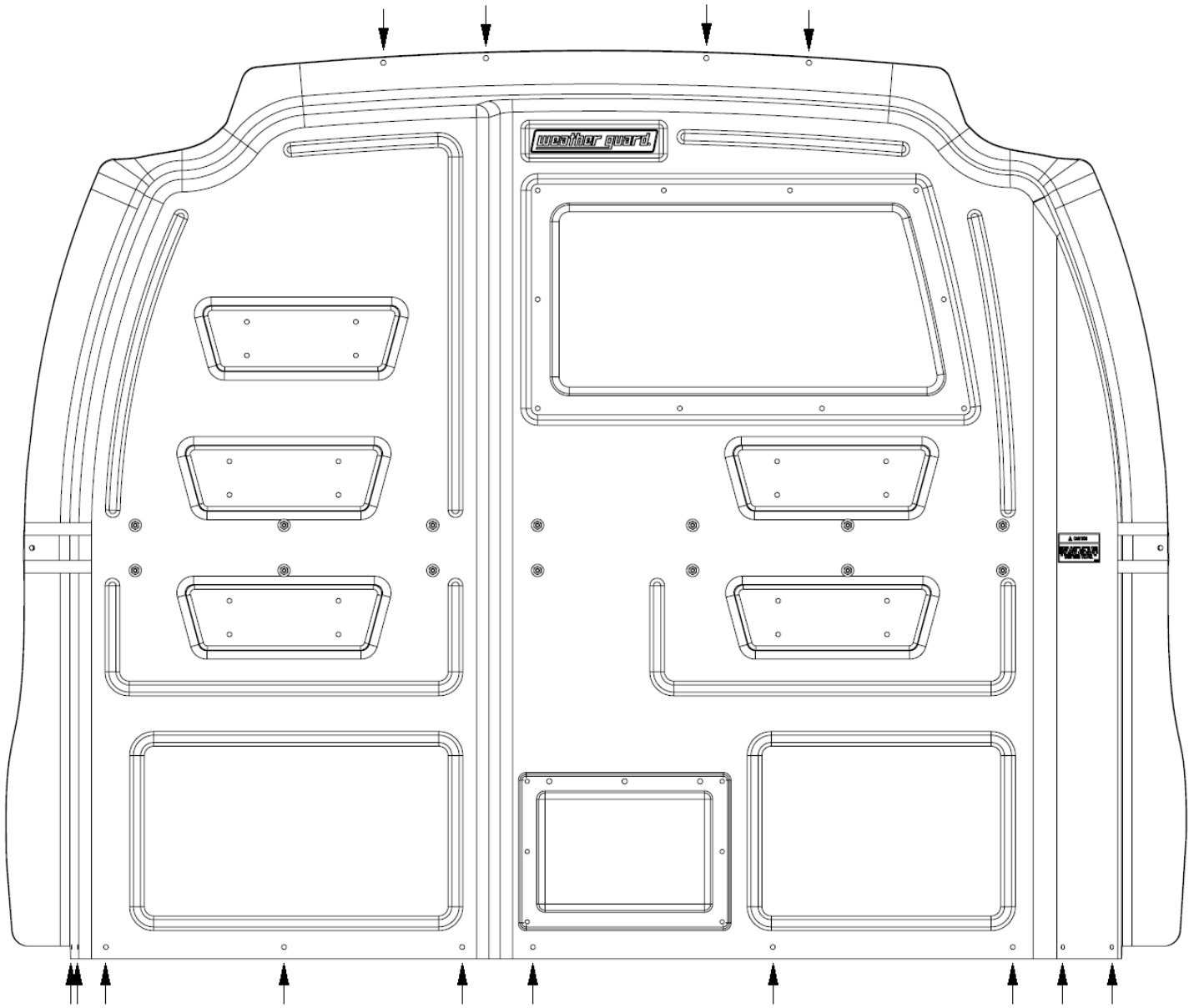
DESCRIPTION	QTY
Floor Angle	1
DS Floor Bracket	1
PS Floor Bracket	1
Header Bracket	2
*Weatherstrip (22")	2
Bulkhead Panel	1

*Not Shown Here

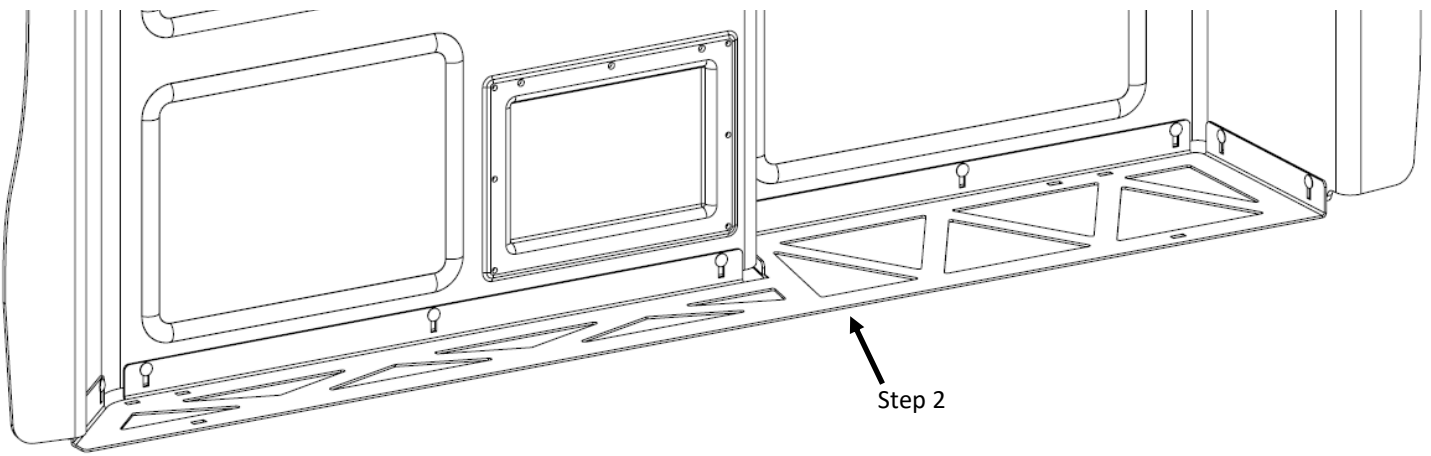


BULKHEAD PREPARATION INSTRUCTIONS

STEP 1. Drill 5/16" holes in the bulkhead panel at the dimples along the outer edges of the panel.

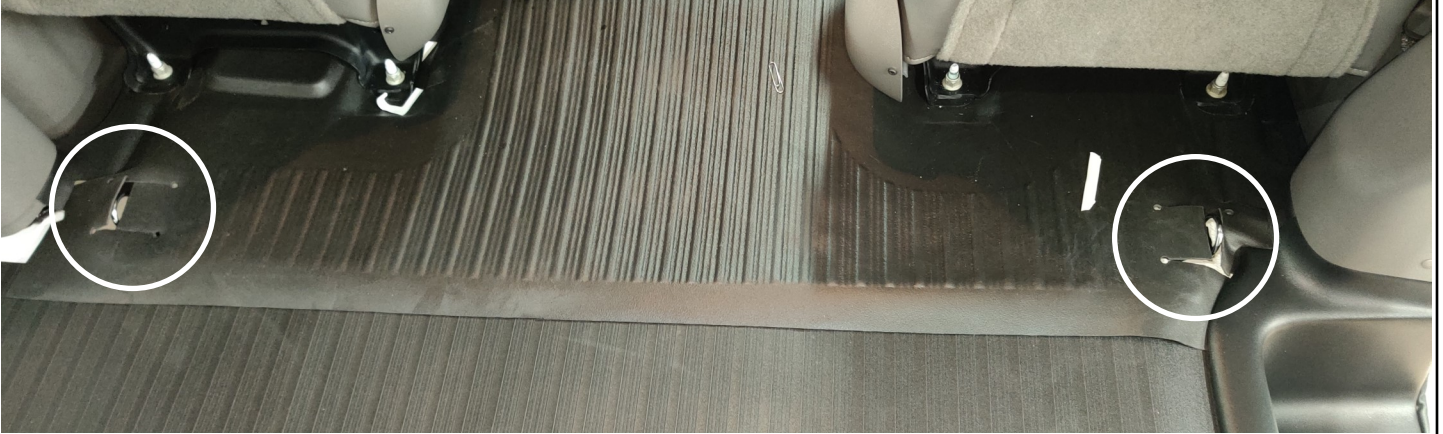


STEP 2. Install the floor angle to the bulkhead panel with ten (10) 1/4-20 carriage bolts, washers, and nylon lock nuts. For now, leave the nuts loose enough to allow the bracket to slide up and down freely.

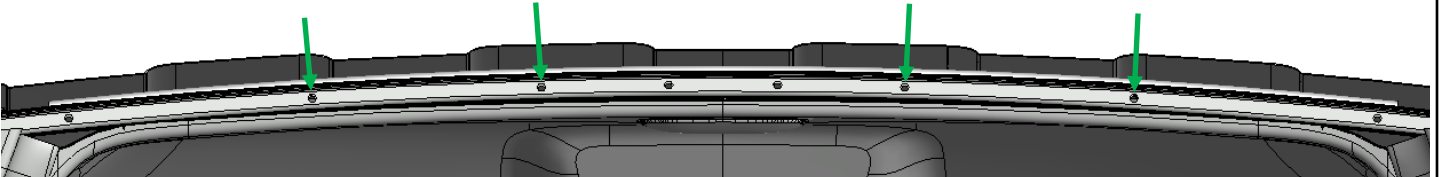


VAN PREPARATION INSTRUCTIONS

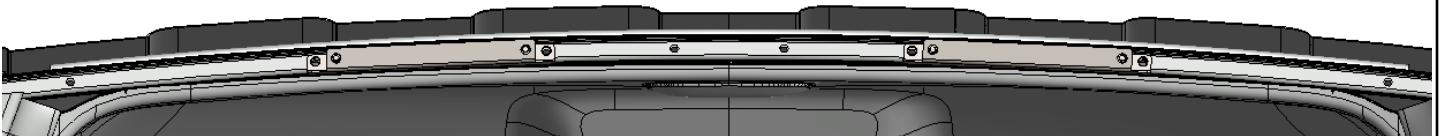
STEP 3. Remove the D-Rings from the floor of the van behind the seats.



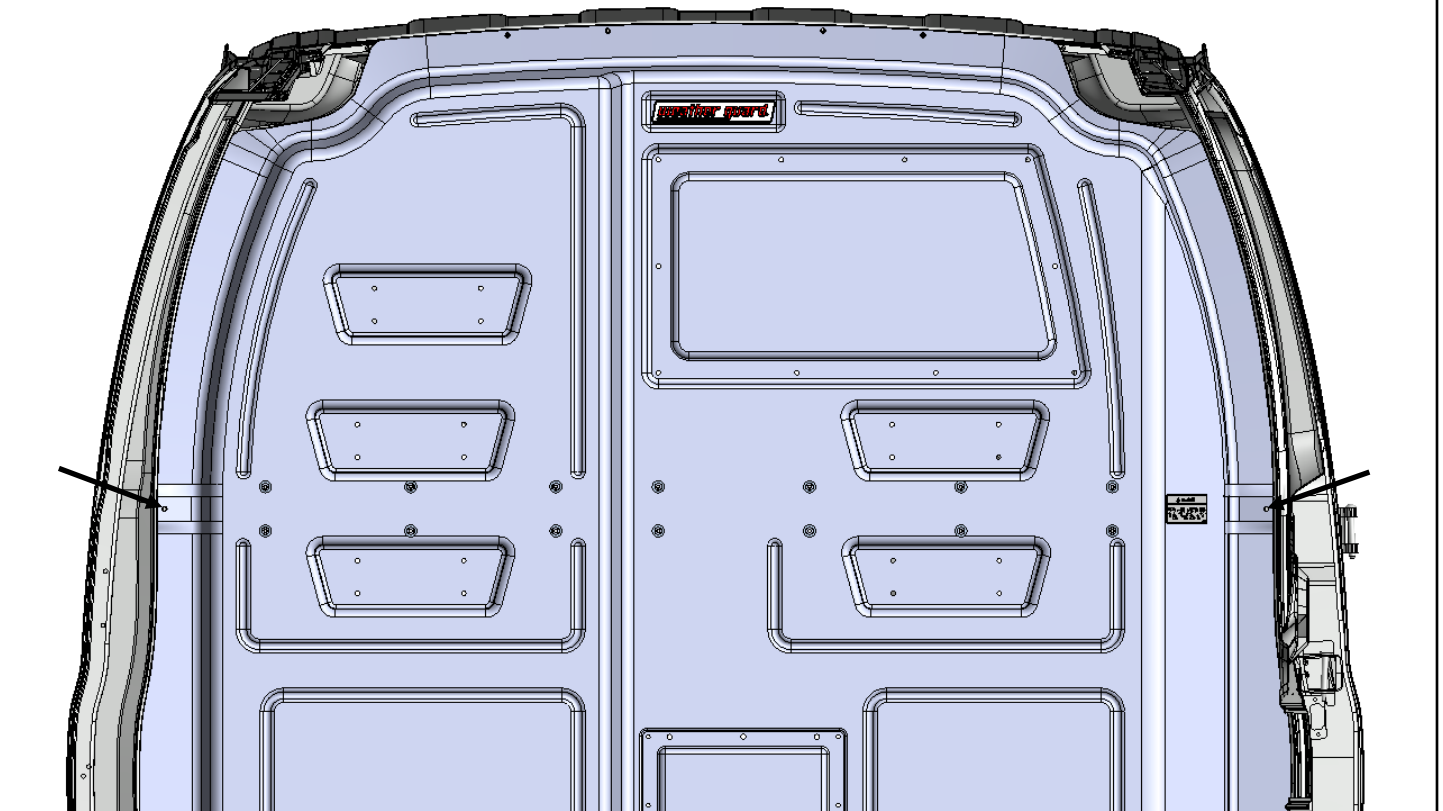
STEP 4. Drill the (4) holes in the roof bow shown below to $25/64$ " and install a 1/4-20 Rivet Nut in them.



STEP 5. Install the header brackets to the Rivet Nuts with the flanges pointing upward using 1/4-20 x 3/4" bolts and washers. Tighten to 76 in-lbs.



STEP 6. Place the Bulkhead into the van against the B-pillar. Loosely bolt the bulkhead in place to the header brackets using 1/4-20 x 3/4" bolts. Mark the 2 side hole locations on the B-Pillar Trim.

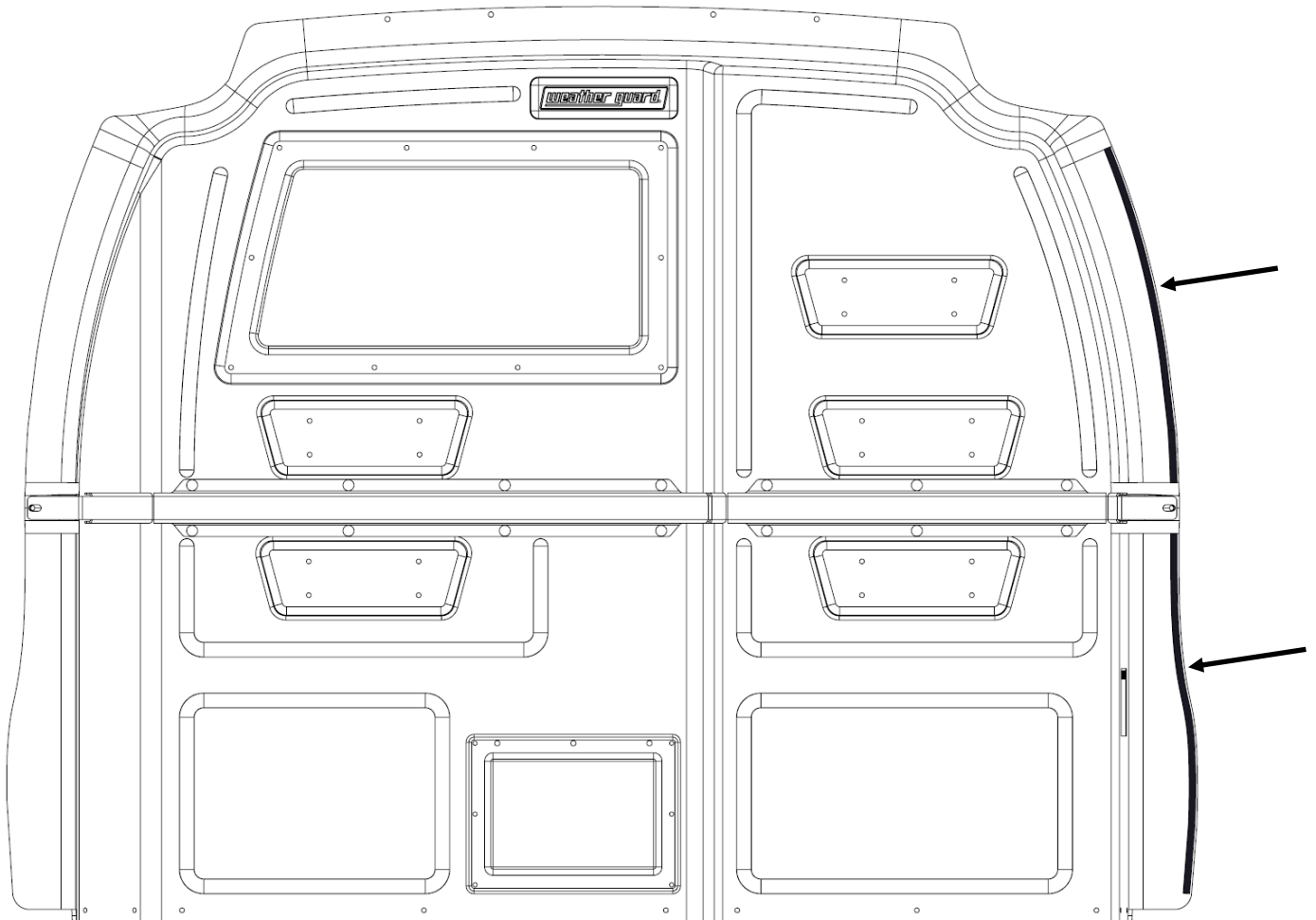


BULKHEAD INSTALLATION INSTRUCTIONS

- STEP 7.** Remove the bolts holding the bulkhead to the header brackets and pull the Bulkhead back out of the van or push it out of the way into the back of the van.
- STEP 8.** At the marked locations, cut the B-Pillar Trim using a 1/2" hole saw. Drill 1/8" pilot holes and then re-drill with a 25/64" drill bit and install rivet nuts in them.
- STEP 9.** Tape a 1/2" OD x 1/2" Long Spacer in each of the holes in the B-Pillar Trim as shown below and poke a hole for the bolt.

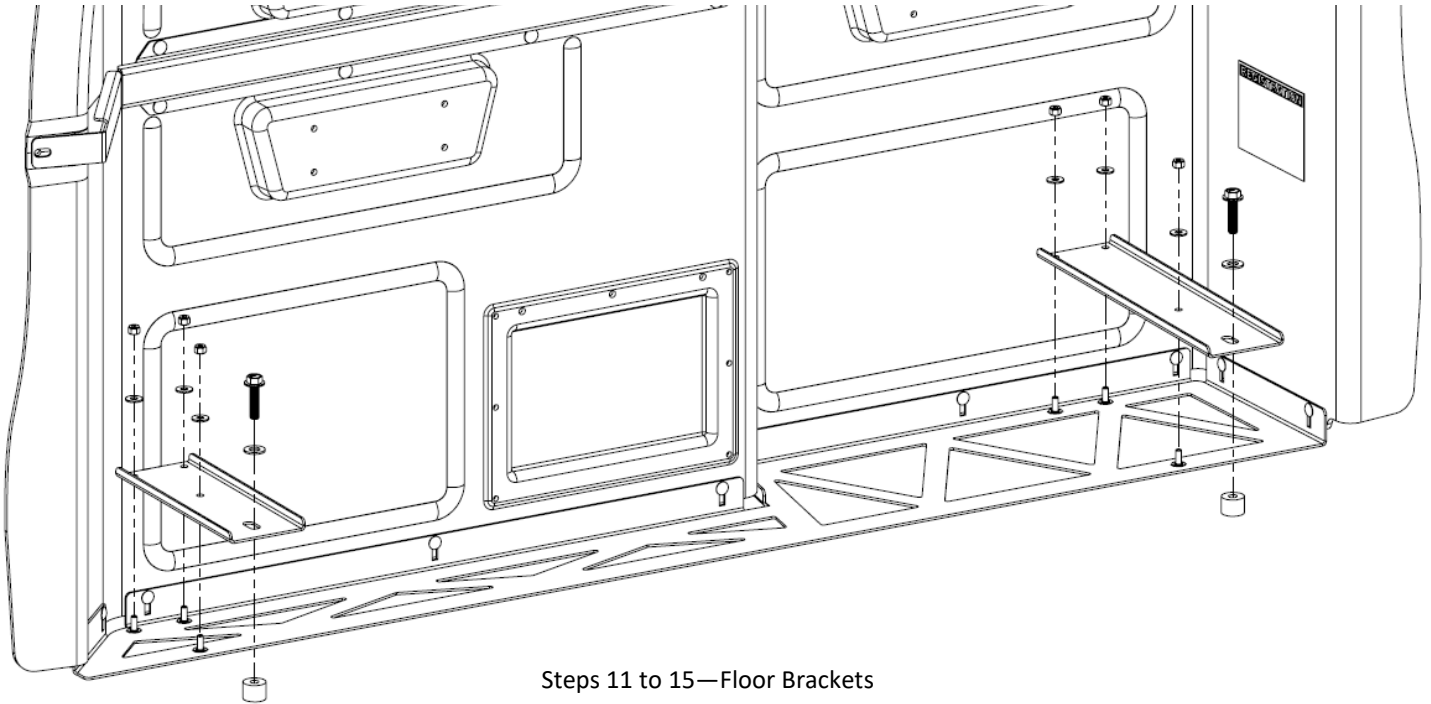


- STEP 10.** Apply a weatherstrip along the top edge of the driver side facing the cab above the middle bracket and another strip along the bottom edge of the driver side facing the driver side B-pillar.



BULKHEAD INSTALLATION INSTRUCTIONS

- STEP 11.** Place 1" OD x 1/2" Long spacers over the D-ring holes in the floor of the van.
- STEP 12.** Place 1/4-20 carriage bolts through the floor angle from beneath.
- STEP 13.** Place the driver side and passenger side floor brackets over the carriage bolts in the floor angle.
- STEP 14.** Loosely install 1/4" washers and 1/4-20 nuts on the carriage bolts.
- STEP 15.** Set the Bulkhead back in place against the B-pillar of van as done in Step 6. Loosely bolt the floor brackets to the D-ring holes through the spacers using M10 x 40mm bolts and 7/16" washers.



- STEP 16.** Bolt the bulkhead to the header brackets using four 1/4-20 x 3/4" bolts and 1/4" washers. Tighten to 76 in-lbs.
- STEP 17.** Bolt the Bulkhead to the B-pillar using two 1/4-20 x 1-3/4" bolts and flat washers. Tighten to 76 in-lbs.
- STEP 18.** While keeping the floor brackets and floor angle down flat against the floor/floor liner, tighten the M10 bolts to 37 ft-lbs and tighten the 1/4" floor bracket and floor angle nuts to 76 in-lbs.;

! WARNING

This product can reduce the driver's ability to clearly see roadways, vehicular or pedestrian traffic and other objects through the rear and side windows of the vehicle, which can cause an accident. Extra precautions should be taken when driving a vehicle with this product. Make all adjustments necessary to ensure maximum visibility, including but not limited to, changing mirror and seating positions. State and local laws may prohibit obstruction of windows in a moving vehicle.

These instructions are to be followed using the parts and fasteners supplied for proper installation. Any modifications or improper installation of this product will create a hazardous condition that could result in death, serious personal injury and/or property damage.

! CAUTION

Prior to drilling, so as not to cut electric wires, fuel lines, brake lines, etc., check behind and underneath drilling and mounting locations. To keep debris out of your eyes when checking the underside of the vehicle, or when drilling, always wear protective eye wear. Failure to heed this warning will result in death or serious injury.

- NOTICE -

Any modification or unintended use of this product shall immediately void all manufacturer's warranties. Manufacturer disclaims all liability for injuries to persons or property resulting from any modification to, or unintended use of this product.

WERNER CO. LIMITED LIFETIME WARRANTY FOR WEATHER GUARD® PRODUCTS

WEATHER GUARD® Products — Limited Lifetime Warranty (Purchased on or after 1/1/2009)

WERNER CO. (the "Manufacturer") warrants to the original purchaser only that WEATHER GUARD® Truck and Van Products (the "WEATHER GUARD® Product") will be free from defects in material and workmanship from the date of purchase and continuing for the expected lifetime of the WEATHER GUARD® Product. A copy of the original sales receipt must be supplied to the Manufacturer at the time a warranty claim is made. This warranty terminates if the original purchaser transfers the WEATHER GUARD® Product to any other person.

What is Covered

All WEATHER GUARD® Products identified above that are purchased on or after January 1, 2009.

What We Will Do to Correct Problems

Subject to the limitations and exclusions described in this limited warranty, the Manufacturer will remedy defects in materials or workmanship by providing one of the following remedies at its option and without charge to the original purchaser for parts or labor: (a) repairing the defective portion of the WEATHER GUARD® Product or (b) replacing the entire WEATHER GUARD® Product. In addition, the manufacturer may elect at its option, not to repair or replace the WEATHER GUARD® Product, but rather issue to the original purchaser a refund equal to the purchase price paid for the WEATHER GUARD® Product or a credit to be used toward the purchase of new WEATHER GUARD® Product.

What is Not Covered

This limited warranty expressly excludes:

- Defects caused by normal wear and tear, cosmetic rust, scratches, accidents, unlawful vehicle operation, or modification to the product, or any types or repair of a WEATHER GUARD® Product other than those authorized or provided by the Manufacturer.
- Defects resulting from conditions beyond the Manufacturer's control including, but not limited to misuse, overloading, or failure to assemble, mount or use the WEATHER GUARD® Product in accordance with the Manufacturer's written instructions or guidelines included with the WEATHER GUARD® Product or made available to the original purchaser.
- Damage to the contents of the box or vehicle.
- TO THE EXTENT PERMITTED BY LAW, IN NO EVENT SHALL THE MANUFACTURER BE LIABLE FOR ANY INCIDENTAL, SPECIAL, INDIRECT, OR CONSEQUENTIAL DAMAGES, INCLUDING ANY ECONOMIC LOSS, WHETHER RESULTING FROM NONPERFORMANCE, USE, MISUSE OR INABILITY TO USE THE WEATHER GUARD® PRODUCT OR THE MANUFACTURER'S NEGLIGENCE.

No Other Express Warranty Applies

This Limited Lifetime Warranty is the sole and exclusive warranty for WEATHER GUARD® Products. No employee, agent, dealer, or other person is authorized to alter this warranty or make any other warranty on behalf of WERNER CO.

Notification Procedures

If the WEATHER GUARD® Product does not conform with the terms of this limited warranty, the original owner must promptly notify the Manufacturer in writing upon discovery of the nonconformity. In order to receive the remedies under this limited warranty, the warranty claim must describe the nature of the nonconformity, and a copy of the original sales receipt, invoice, bill or other proof of purchase must accompany the claim. Repairs or modifications made to the WEATHER GUARD® Product by other than the Manufacturer or its authorized agent will nullify this limited warranty. Coverage under this limited warranty is conditioned at all times upon the owner's compliance with these required notification and repair procedures. Warranty claims must include reciprocal contact information and may be made via certified mail to:

WERNER CO. ATTN: Warranty Claims

420 E. Terra Cotta Avenue Crystal Lake, IL 60014

If you have any questions, please call toll free at 1-800-456-7865.

©2020 WERNER CO.

WERNERCO™