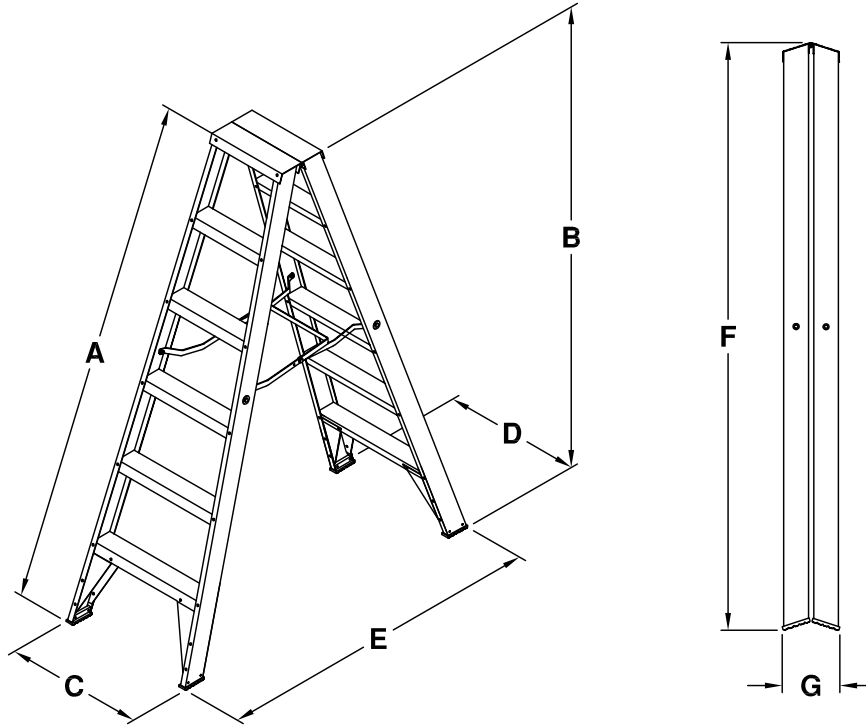


DOUBLE SIDED / TRADE 150KG



| PRODUCT CODE | PRODUCT DESCRIPTION | PRODUCT EAN | A(mm) | B(mm) | C(mm) | D(mm) | E(mm) | F(mm) | G(mm) | WT(kg) |
|--------------|------------------------------------|---------------|-------|-------|-------|-------|-------|-------|-------|--------|
| FS13428 | TRADE 150kg AL DOUBLE SIDED 3 0.9m | 9312097055629 | 900 | 856 | 420 | 420 | 731 | 925 | 181 | 5.88 |
| FS13429 | TRADE 150kg AL DOUBLE SIDED 4 1.2m | 9312097055636 | 1200 | 1141 | 460 | 460 | 916 | 1224 | 181 | 6.60 |
| FS13430 | TRADE 150kg AL DOUBLE SIDED 6 1.8m | 9312097055643 | 1800 | 1712 | 540 | 540 | 1287 | 1823 | 181 | 9.60 |
| FS13431 | TRADE 150kg AL DOUBLE SIDED 8 2.4m | 9312097055650 | 2400 | 2283 | 620 | 620 | 1660 | 2421 | 181 | 12.80 |

| PRODUCT CODE | PRODUCT DESCRIPTION | PRODUCT EAN | PACKED VOL(m³) |
|--------------|------------------------------------|---------------|----------------|
| FS13428 | TRADE 150kg AL DOUBLE SIDED 3 0.9m | 9312097055629 | 0.070 |
| FS13429 | TRADE 150kg AL DOUBLE SIDED 4 1.2m | 9312097055636 | 0.101 |
| FS13430 | TRADE 150kg AL DOUBLE SIDED 6 1.8m | 9312097055643 | 0.177 |
| FS13431 | TRADE 150kg AL DOUBLE SIDED 8 2.4m | 9312097055650 | 0.272 |