

ASSEMBLY AND INSTALLATION INSTRUCTIONS

Model 1225 Service Body Ladder Rack

IMPORTANT BEFORE YOU BEGIN

Read these instructions and warnings completely before installing.

BOLT KIT

Bolt Kit #32-0110 is provided with your ladder rack. Check this bolt kit to be sure the following parts are included:

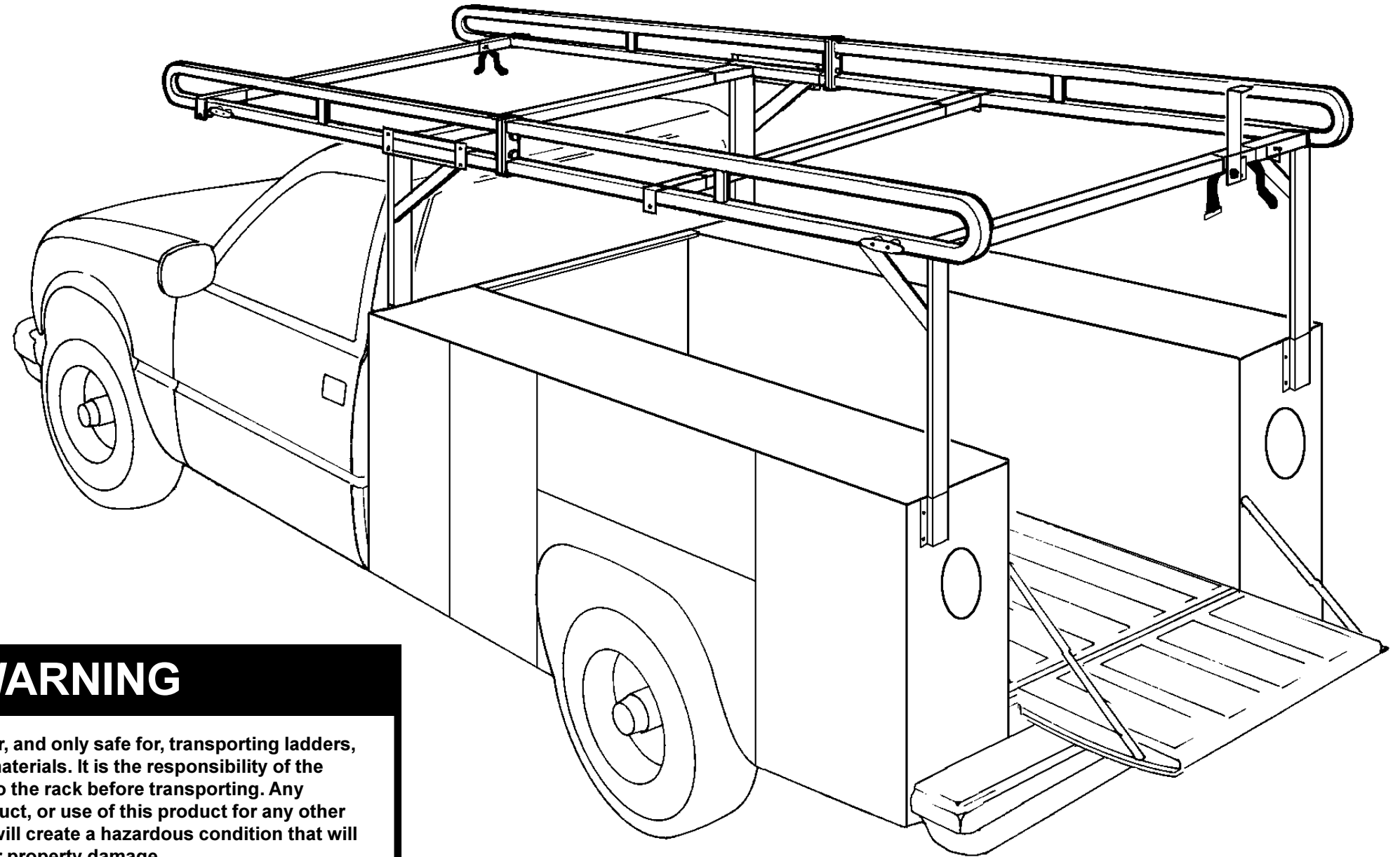
Quan.	Description
5	3/8-16 x 3/4" Hex Head, Thread Cutting
24	3/8-16 x 1-1/2" Carriage Bolt
4	3/8-16 x 1-1/4" Carriage Bolt
28	3/8" Flat Washer
28	3/8-16 Nylon Lock Nut
4	5/16-18 x 2" Carriage Bolt
8	5/16-18 x 1" Carriage Bolt
12	5/16 Flat Washer
12	5/16-18 Nylon Lock Nut
2	5/16" x 2-3/4" Snapper Pin
4	Rope Cleat (black)
8	10-24 x 2-3/4" F.H. Screw
8	10-24 Nylon Lock Nut
2	Square Cap Plug (black)

* See Bolt Chart on back page for fastener reference

TOOLS REQUIRED

- Electric Drill
- Drill Bits - 7/32", 3/8", 7/16" & 1/2"
- 3/8" Open or Box End Wrench
- 1/2" Open or Box End Wrench (2)
- 9/16" Open or Box End Wrench (2)
- Screwdriver - common
- Framing Square
- Pencil or Marker
- Tape Measure
- Hack Saw
- Hammer

**MAXIMUM
LOAD CAPACITY**
1000 lbs.
(evenly distributed)



⚠ WARNING

This product is only intended for, and only safe for, transporting ladders, lumber, pipe and other similar materials. It is the responsibility of the user to secure these materials to the rack before transporting. Any modifications made to this product, or use of this product for any other purpose than its intended use, will create a hazardous condition that will cause serious personal injury or property damage.

⚠ CAUTION

Never load your rack to exceed the safe rated capacity of your vehicle. Heavy loads carried high can dangerously alter the center of gravity.

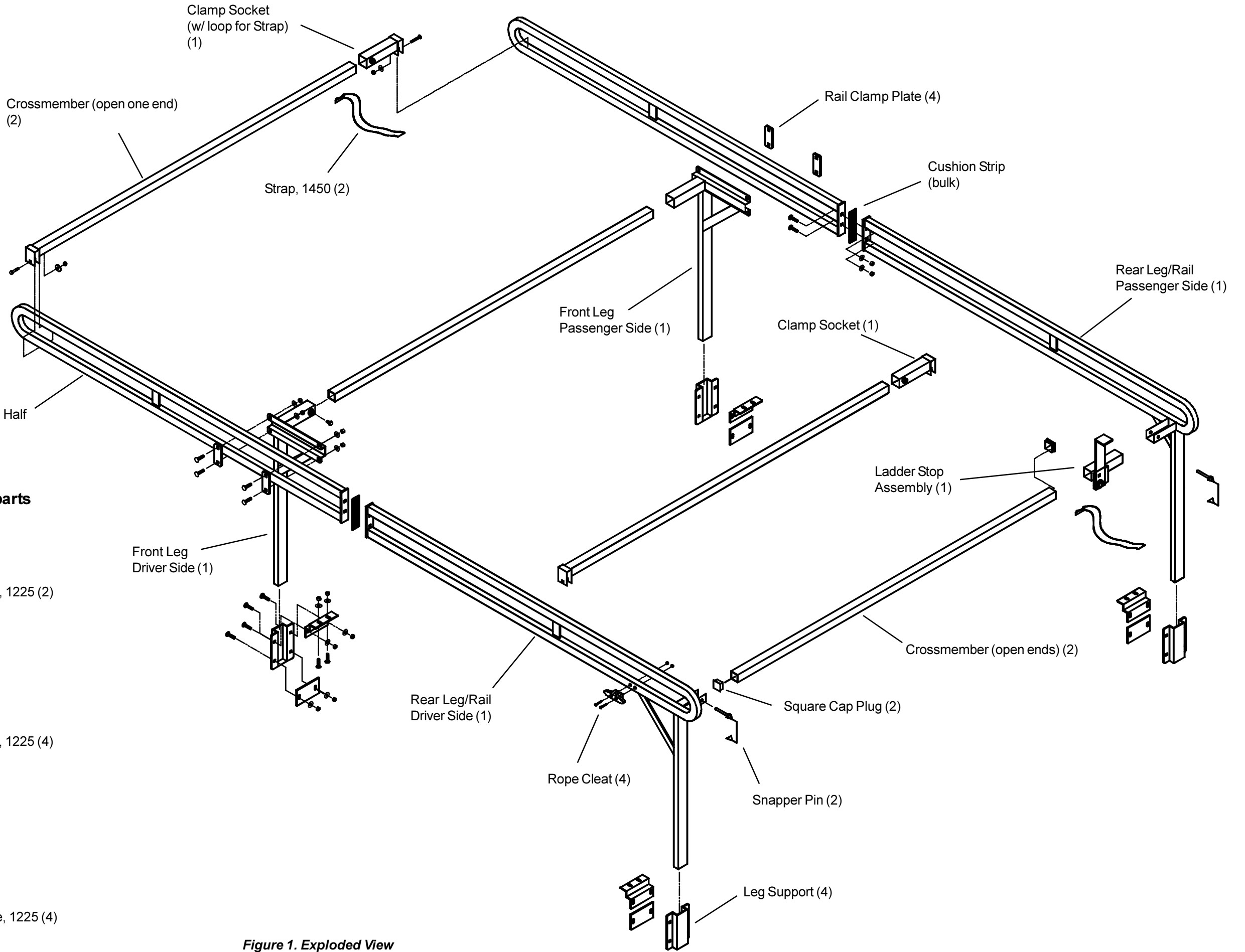
weather guard[®]

NOTE: Truck beds and boxes vary in width and height. Crossmembers and legs may have to be cut to fit your box. Crossmember length will be the distance from center to center of the leg supports, but not more than 72".

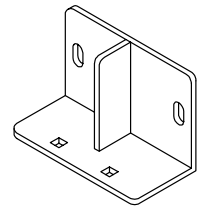
NOTE: To prevent rust from occurring, touch-up any drilled holes.

NOTE: Apply E-6000 Sealant* to the service body around drilled holes prior to assembly.

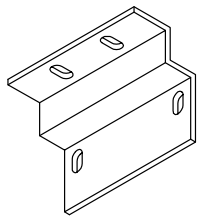
* Included with your Rack



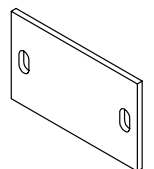
Use these illustrations to identify parts



Upper Bracket, 1225 (2)



Lower Bracket, 1225 (4)



Mounting Plate, 1225 (4)

Figure 1. Exploded View

1. Rear Leg Support Installation - Begin with the rear of the vehicle, as the taillight location may determine the mounting option as well as the side to side placement. The Leg Supports when mounted must not be more than 72" center to center (see Figure 2.), and must be centered evenly side to side. Mount near the outside corner of the box if possible, for strength. **Option 1** is preferred (see Figure 3.), but **Option 2** (see Figure 4.) may be necessary at the rear of vehicle, depending on taillight locations. Decide which option to use, then follow that option's procedure. Fasten the Leg Support/Upper and Lower Brackets loosely at the rear of the box.

⚠ CAUTION
 Prior to drilling, so as not to cut electric wires, etc., check the vehicle for locations.

⚠ CAUTION
 To keep debris out of your eyes when drilling or sawing, always wear protective eyewear.

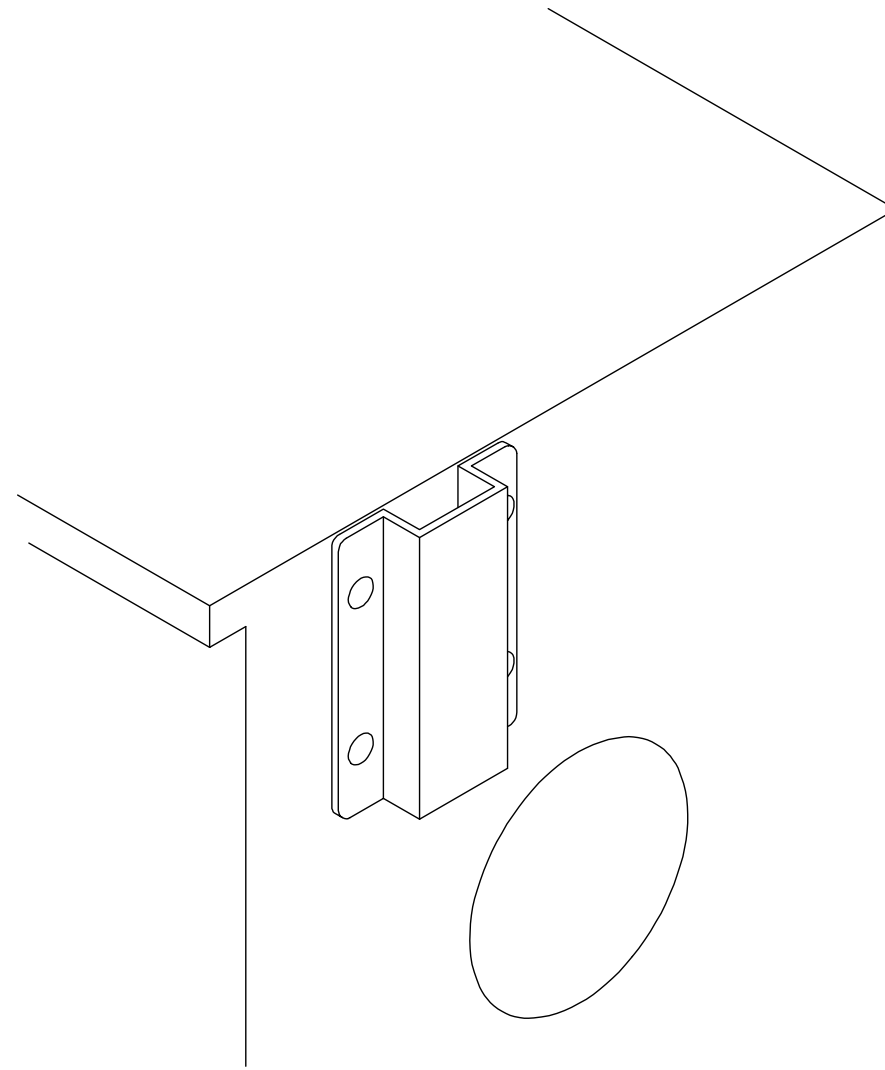


Figure 3. Option 1 Installed (viewed from Driver Side rear)

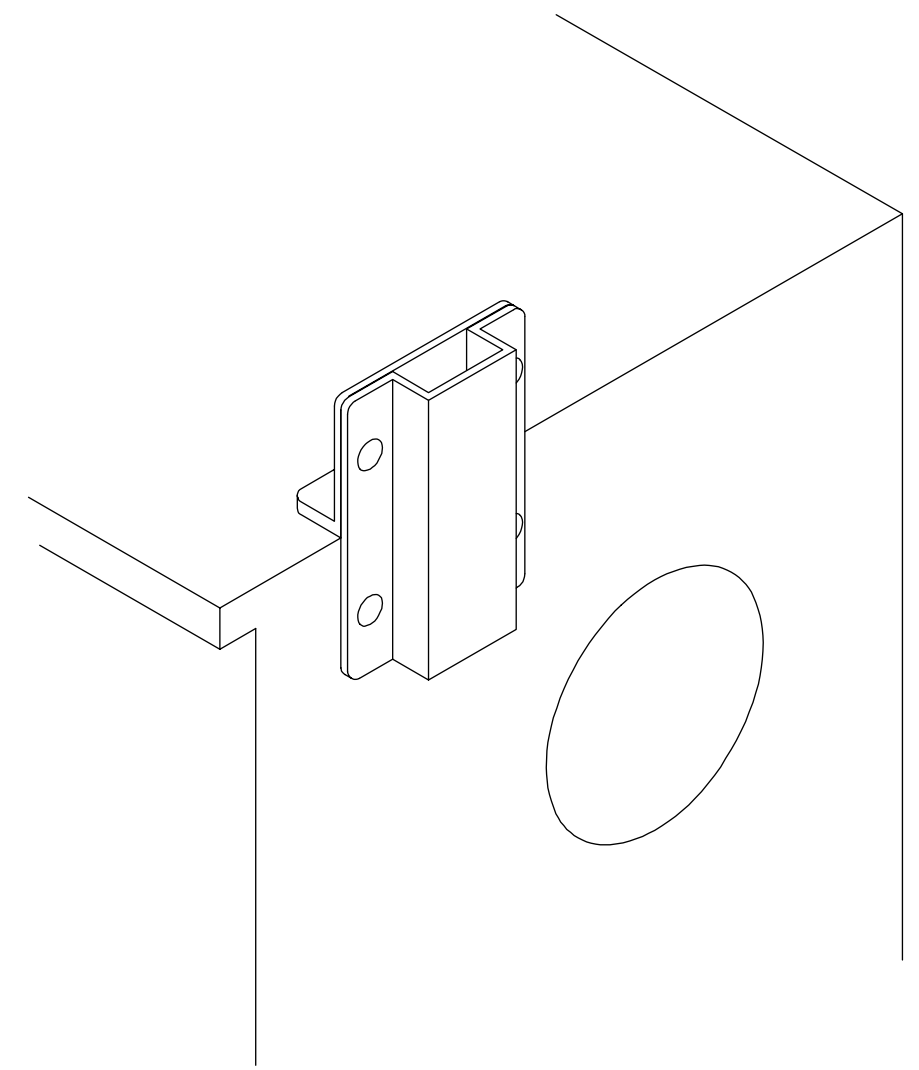


Figure 4. Option 2 Installed (viewed from Driver Side rear)

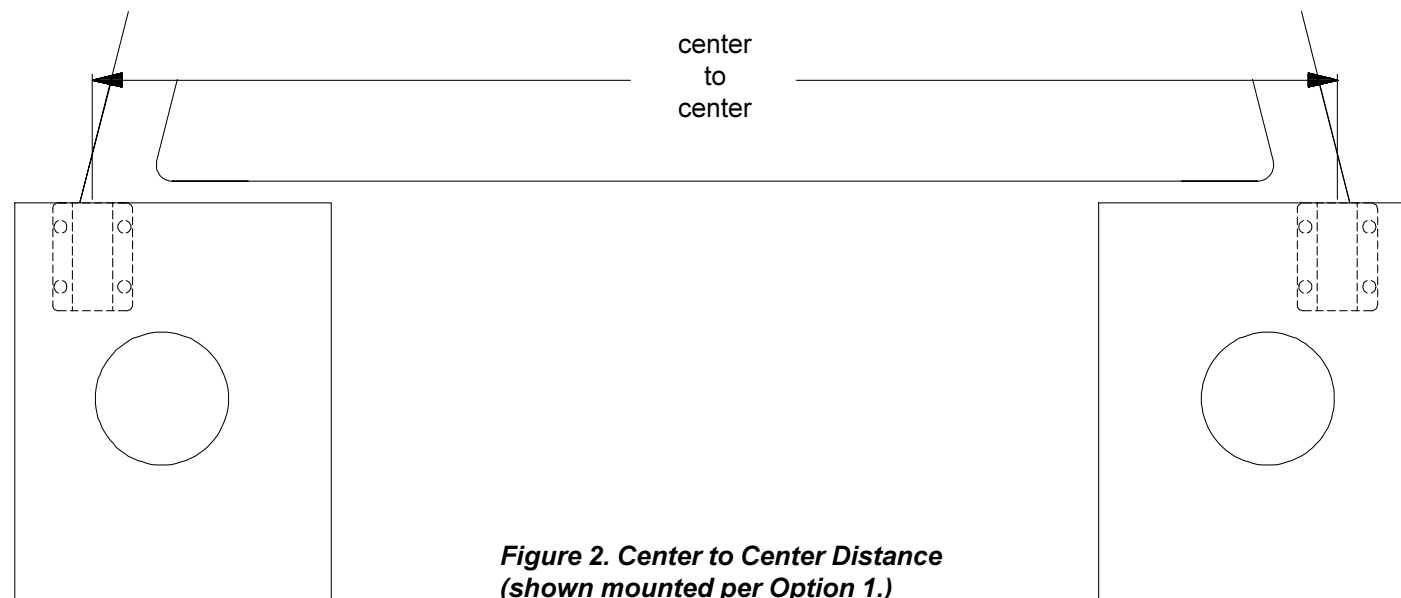


Figure 2. Center to Center Distance (shown mounted per Option 1.)

Option 1 Installation - Place a Lower Bracket at the top of the rear end panel **inside** the service body, and in position side to side. Mark the centers of the four obround holes (see Figure 5.). Remove the Lower Bracket, and using a square, draw a line down 6" from the centers of the marks on the rear panel. Measure down 3-3/4" from the rear panel marks, and mark the lines. Drill the six marks with a 7/32" drill bit. Re-drill the rear panel holes with a 7/16" drill bit. Re-drill the top holes with a 1/2" drill bit. Repeat this procedure at the other side of the service body. Loosely assemble a Leg Support, Lower Bracket and a Mounting Plate at each rear location (see Figure 6.).

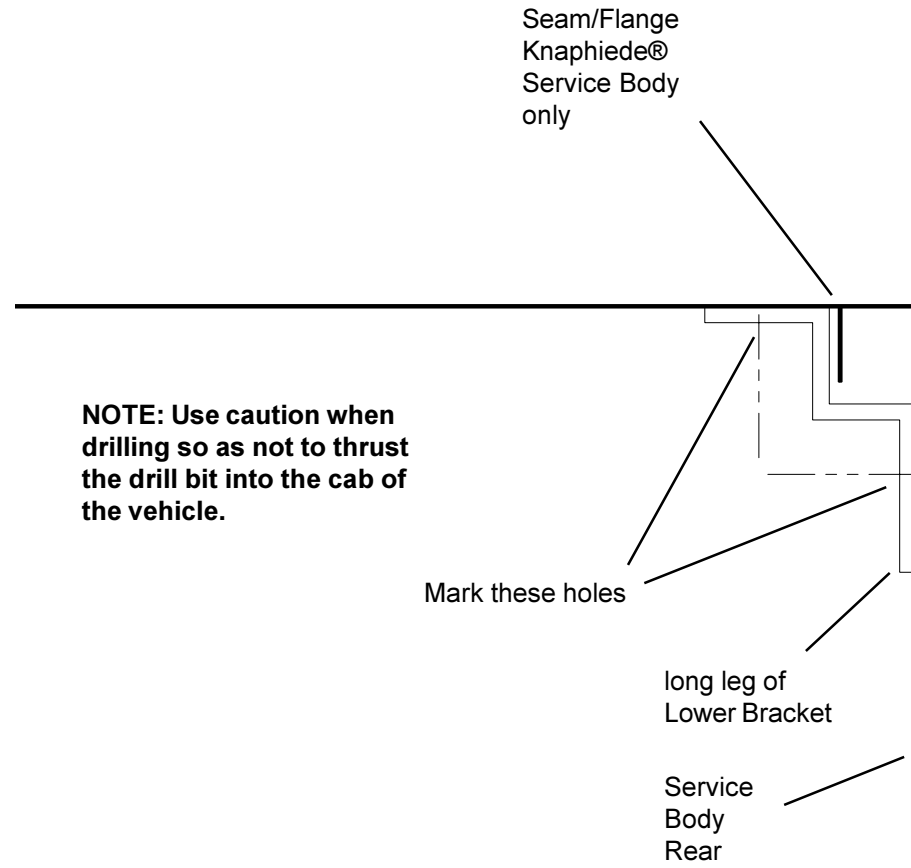


Figure 5. Lower Bracket - used for marking service body top and rear end panel

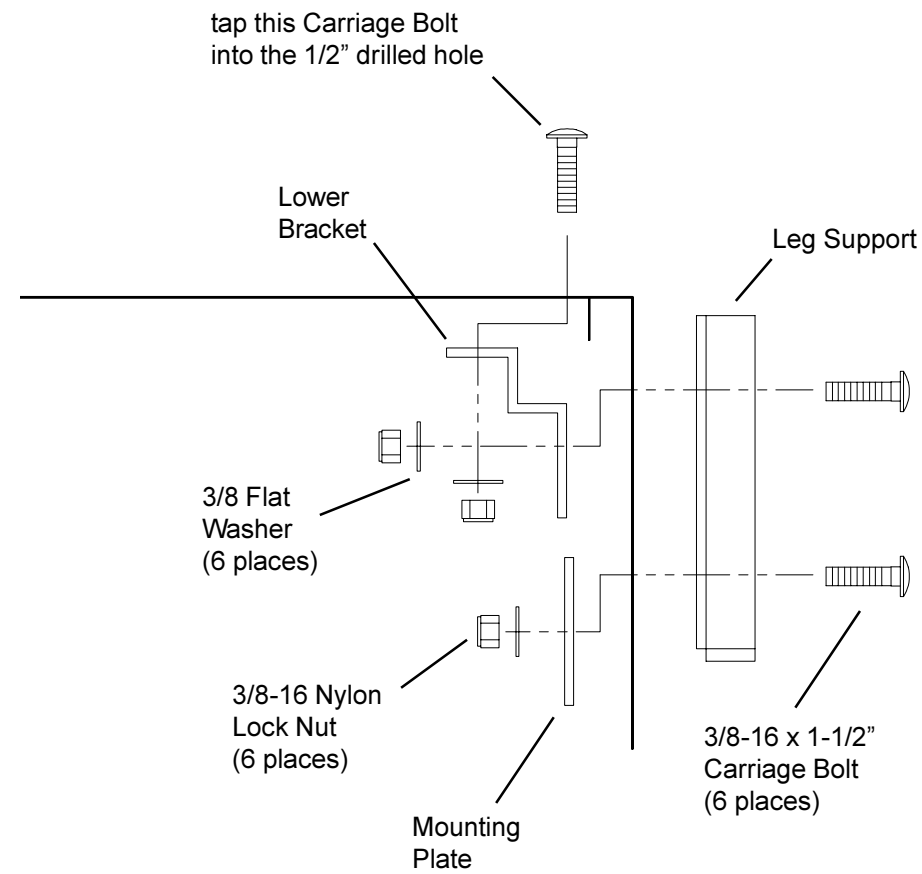


Figure 6. Option 1 Assembly

Option 2 Installation (used only at the rear of the vehicle) - Fasten together one Leg Support and one Upper Bracket (see Figure 7.). Place the assembled Leg Support at the top of the end panel **outside** the service body, and in position side to side. Mark the two square holes of the Leg Support and the two of the Upper Bracket (see Figure 8.). Drill the marks with a 7/32" drill bit. Re-drill the back panel holes with a 7/16" drill bit. Re-drill the top holes with a 1/2" drill bit. Repeat this procedure at the rear on the other side of the service body. Loosely assemble a Leg Support, Upper and Lower Bracket at each rear location (see Figure 9.).

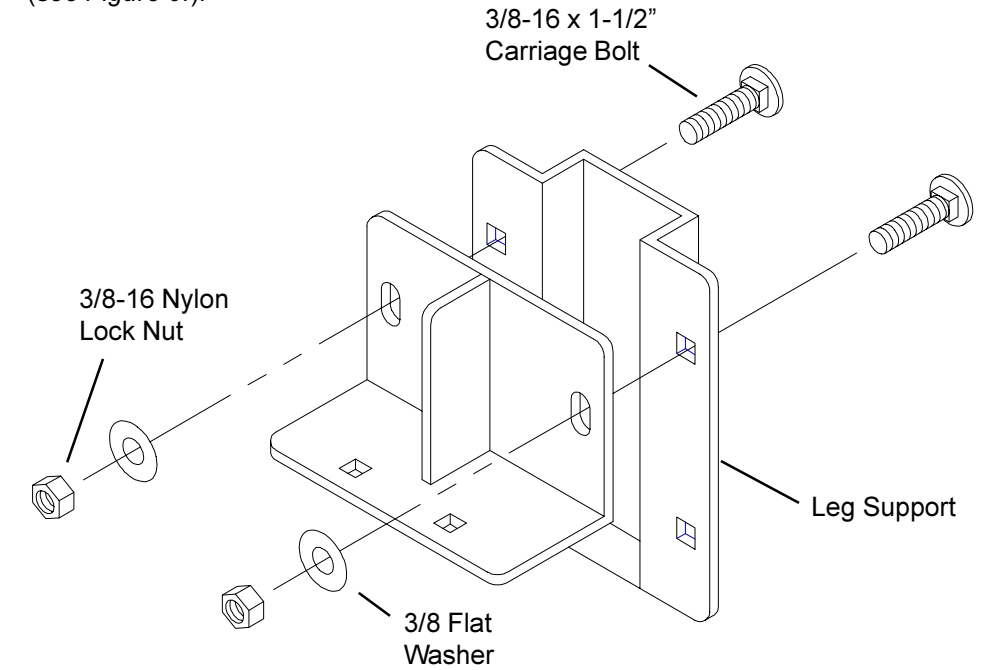


Figure 7. Leg Support/Upper Bracket Assembly for marking at rear

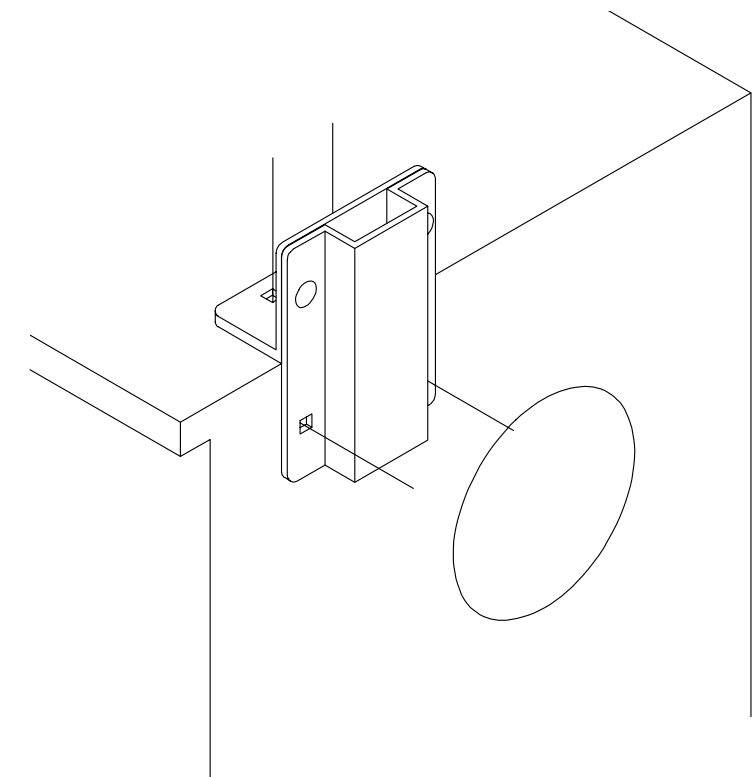


Figure 8. Assembled Leg Support - used for marking all rear mounting holes

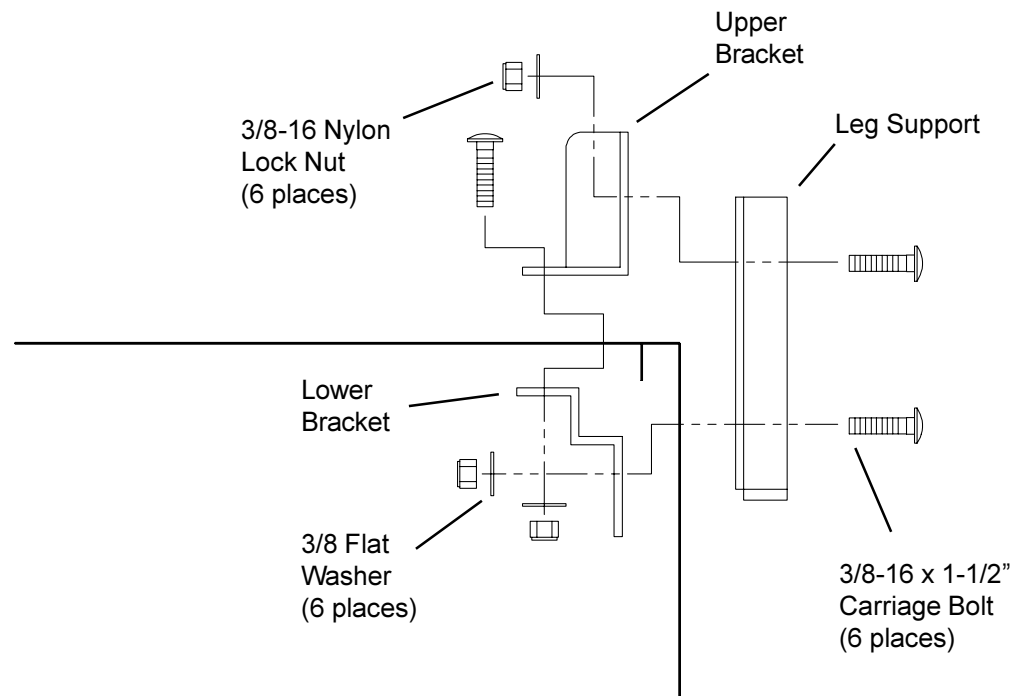


Figure 9. Option 2 Assembly

2. Front Leg Support Installation - With the Leg Supports loosely mounted at the rear, measure the distance from the inside of the service body to the Lower Bracket (see Figure 10.). Use this dimension to position the Leg Support in the service body at the front. Repeat the marking, drilling and fastening procedure shown in Step 1, Option 1.

NOTE: Use caution when drilling so as not to thrust the drill bit into the cab of the vehicle

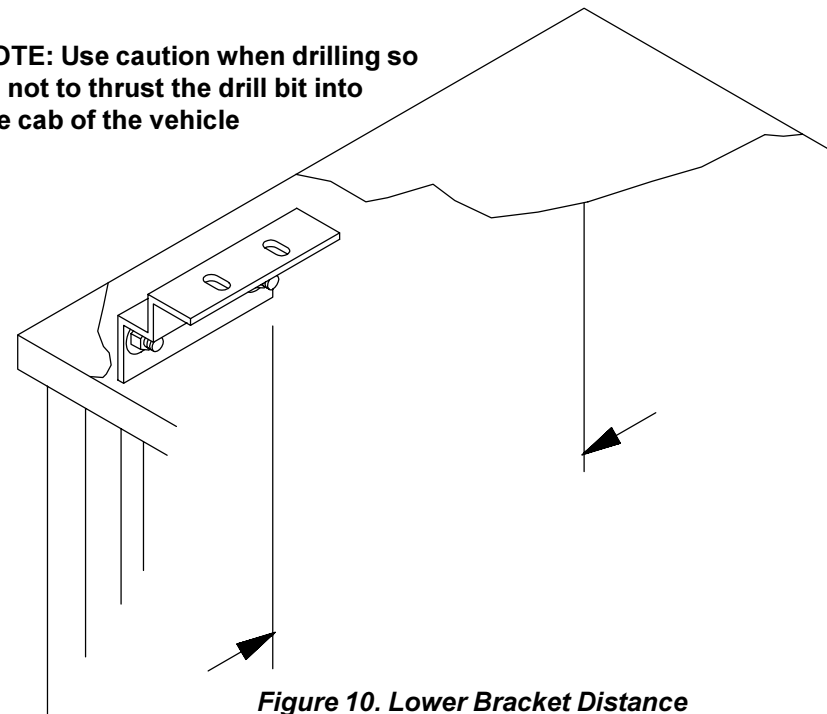


Figure 10. Lower Bracket Distance

3. Leg Height - Measure from inside Leg Support to a minimum of at least 2" above cab of truck (see Figure 11.). The Legs can be cut this dimension. **NOTE:** If Leg Support mounting Option 2 was used at the rear, the Rear Legs will be cut 3-7/8" shorter than the Front Legs to keep the rack level.

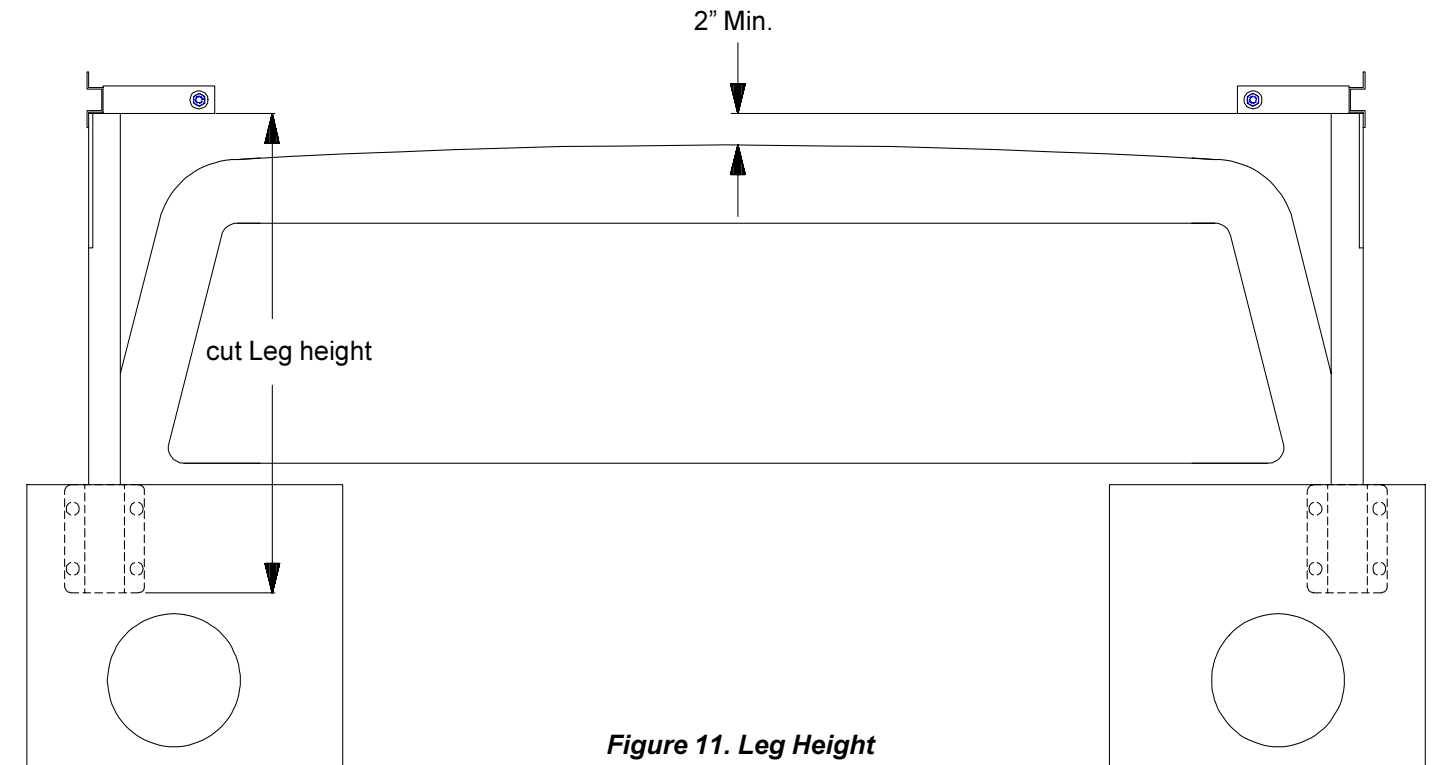


Figure 11. Leg Height

4. Crossmembers - Measure center to center of the Leg Supports (see Figure 12.). Cut all Crossmembers 1/2" less than this length.

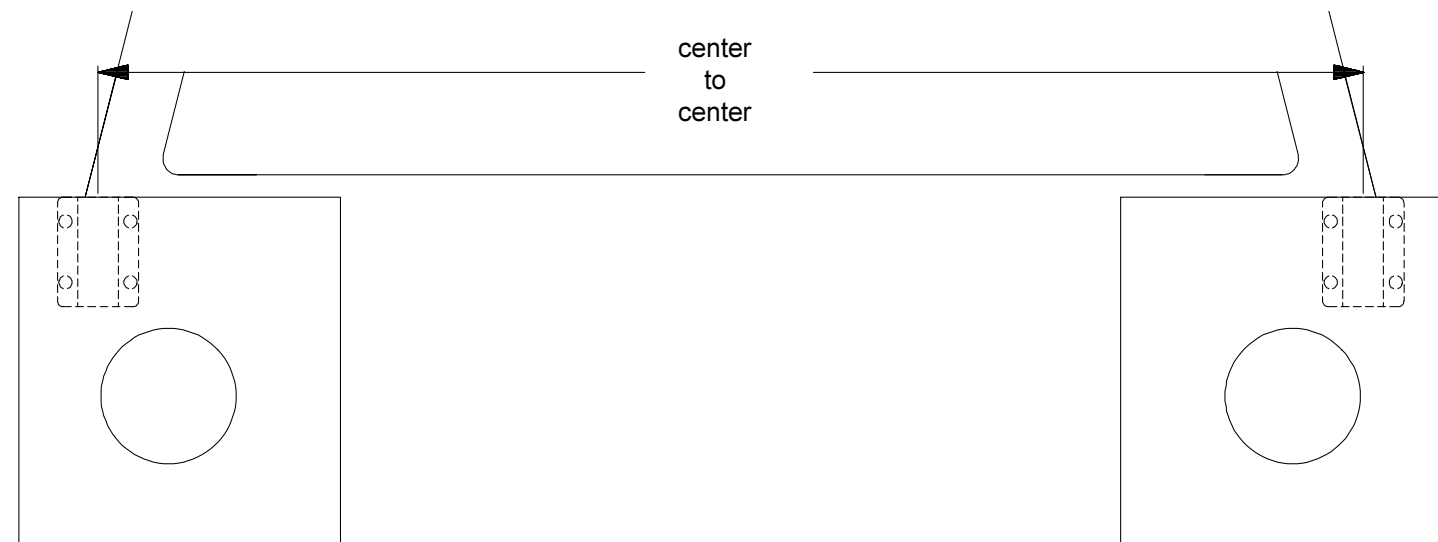


Figure 12. Crossmember Length

5. Front Leg Crossmember - Install each Crossmember end into a Front Leg Socket (see Figure 13.). Place the Leg/Crossmember assembly into the Leg Supports at the front of the truck with the Leg gussets facing rearward. Tighten the Leg Supports so the Legs are at 90 degrees to the service body. Fasten the Crossmember in the Leg sockets.

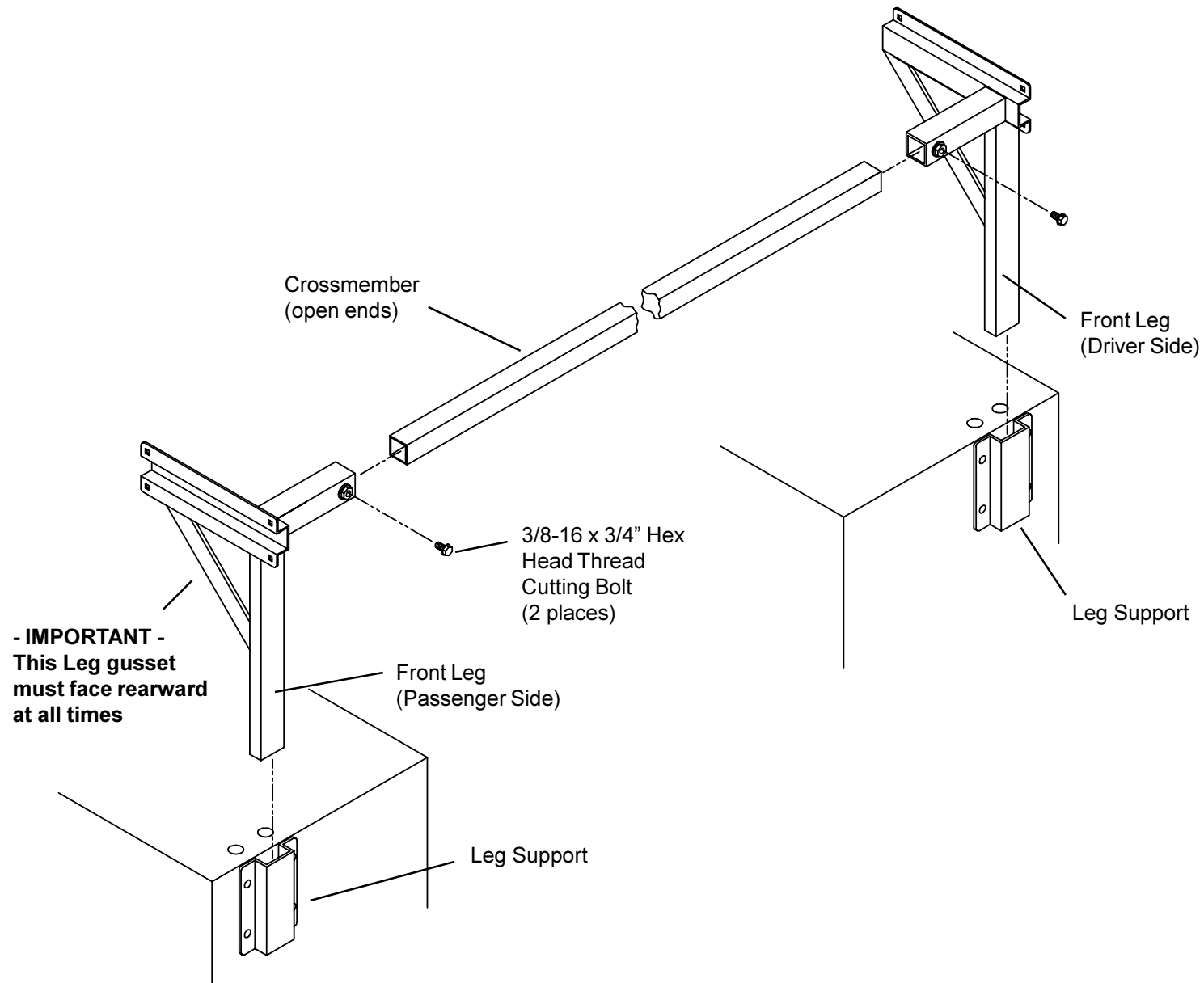


Figure 13. Leg/Crossmember to Leg Support Assembly

6. Rail Fastening - Bolt the front Rail and Rear Leg/Rail Weldment halves together using two bolts per rail (see Figure 14. and detail Figure 15.).

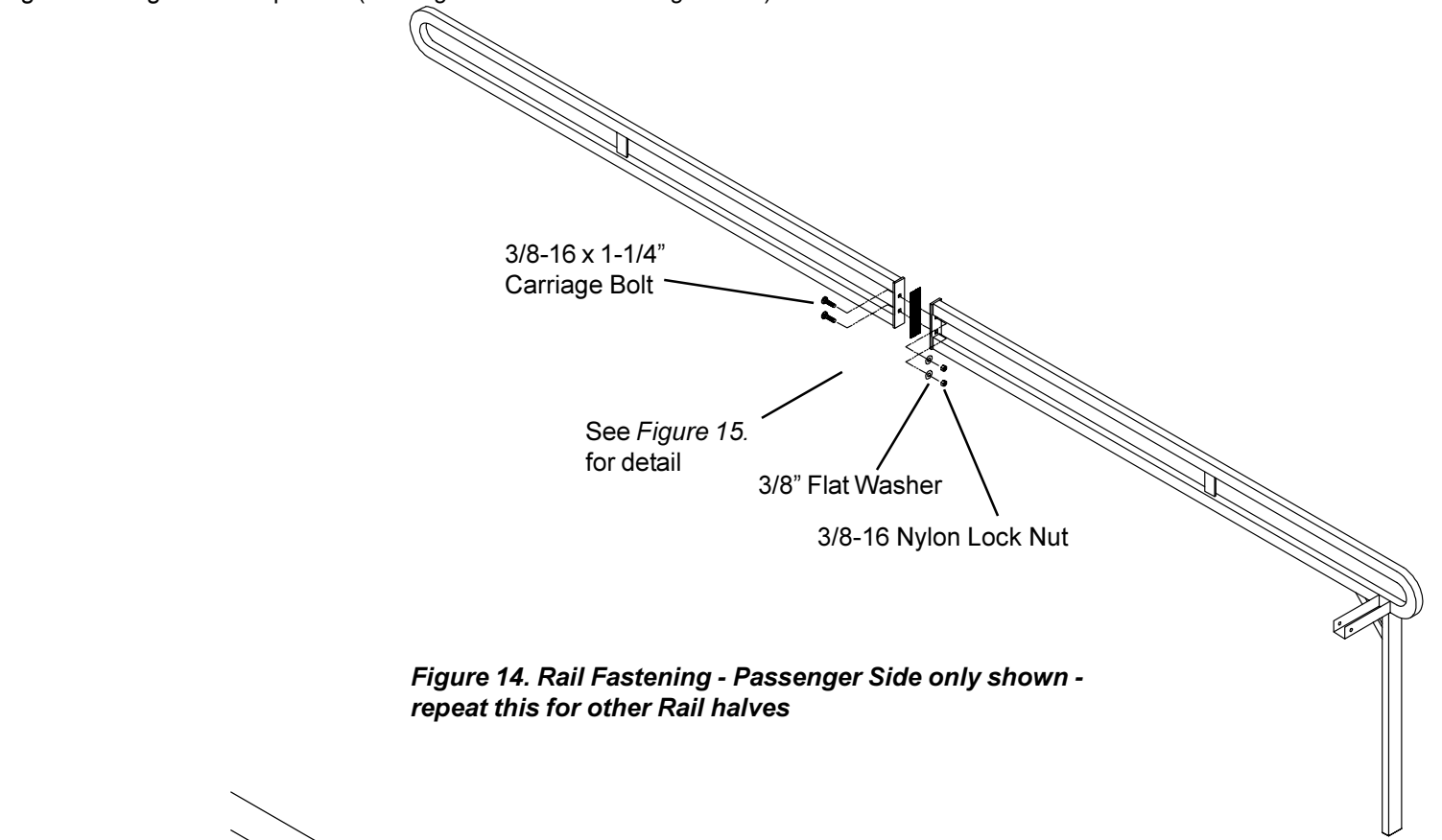


Figure 14. Rail Fastening - Passenger Side only shown - repeat this for other Rail halves

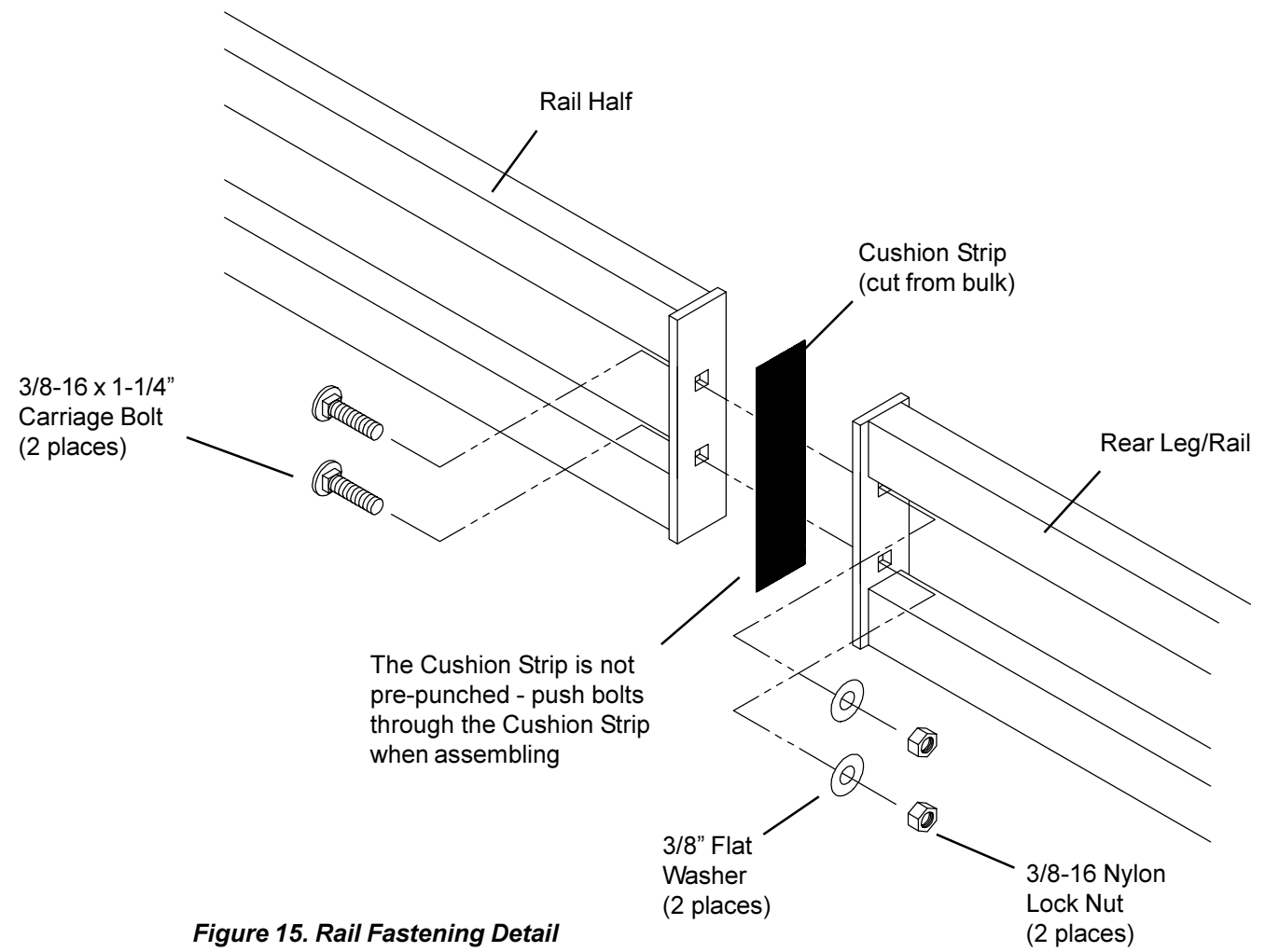


Figure 15. Rail Fastening Detail

7. Rear Leg / Rail Mounting - With the help of another person, install the Driver Side Rear Leg/Rail into the Leg Support at the rear, and loosely assemble the Rail assembly in the Front Leg rail sockets (see Figure 16. and detail Figure 17.). Repeat this with the Passenger Side Rear Leg/Rail. Tighten both of the Rear Leg/Rails in the Leg Supports, making sure the Legs are at 90 degrees to the service body. Tighten the Clamp Plates on the front Rails.

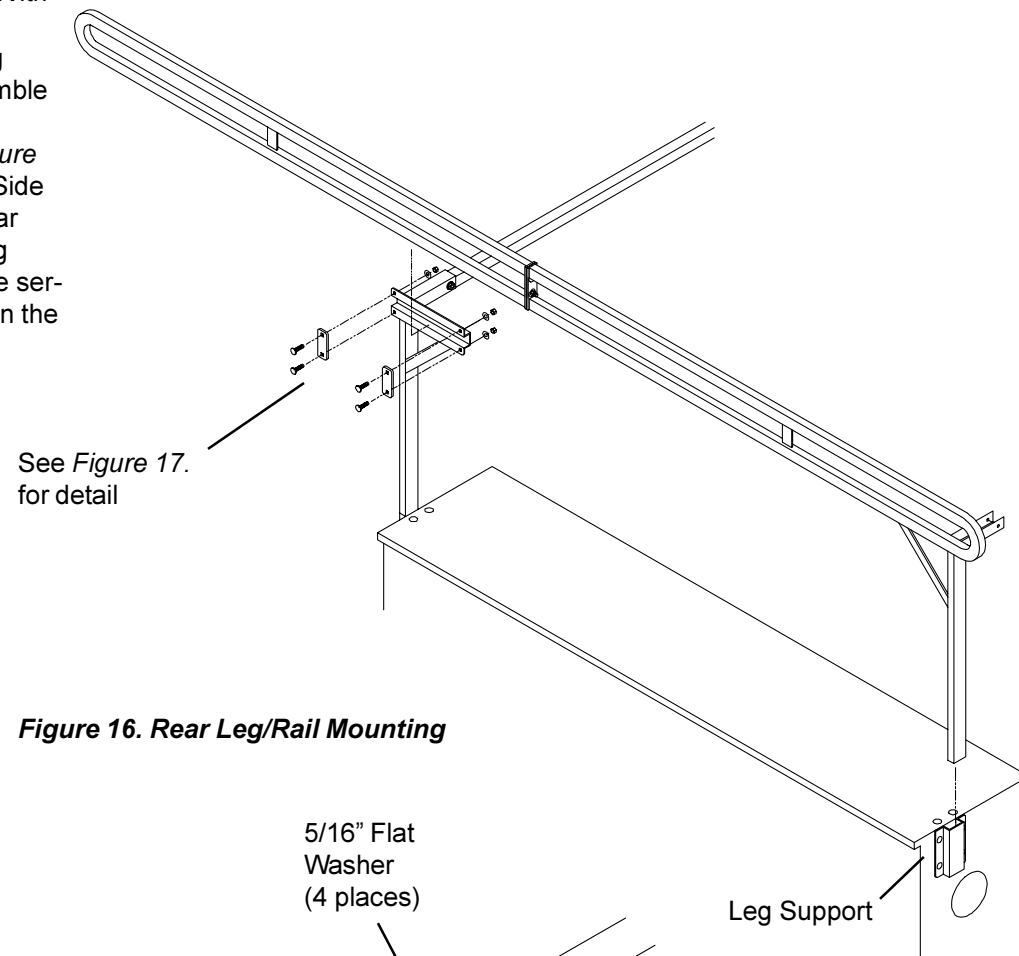


Figure 16. Rear Leg/Rail Mounting

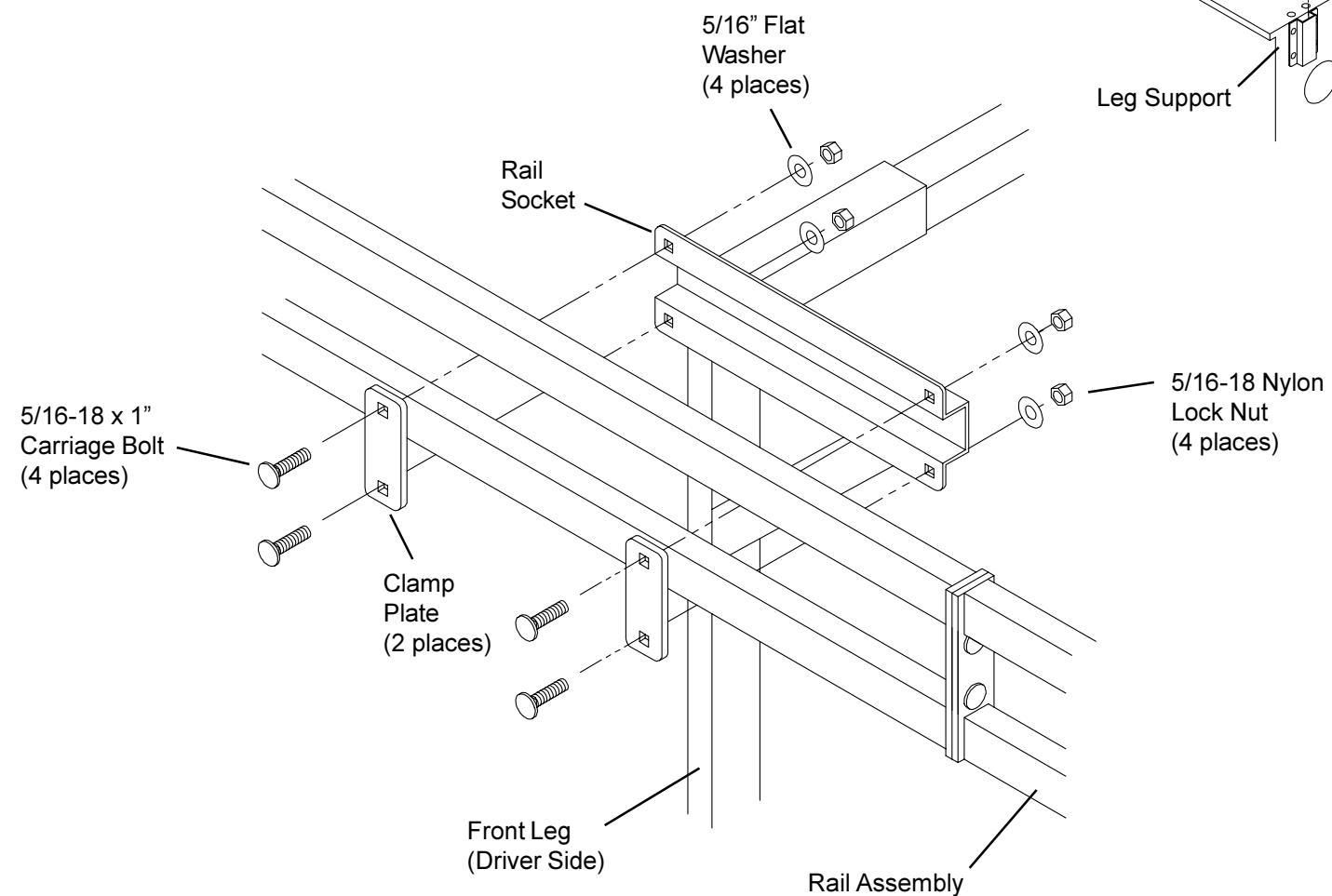


Figure 17. Rear Leg/Rail Mounting Detail - Driver Side only shown - procedure is the same for Passenger Side

8. Rear Crossmember - Place the Crossmember in the sockets, center it, then mark the socket holes. Remove the Crossmember and drill the marks with a 3/8" drill bit. Install the Black Plugs in the Crossmember, replace the Crossmember in the sockets and install the Snapper Pins (see Figure 18.).

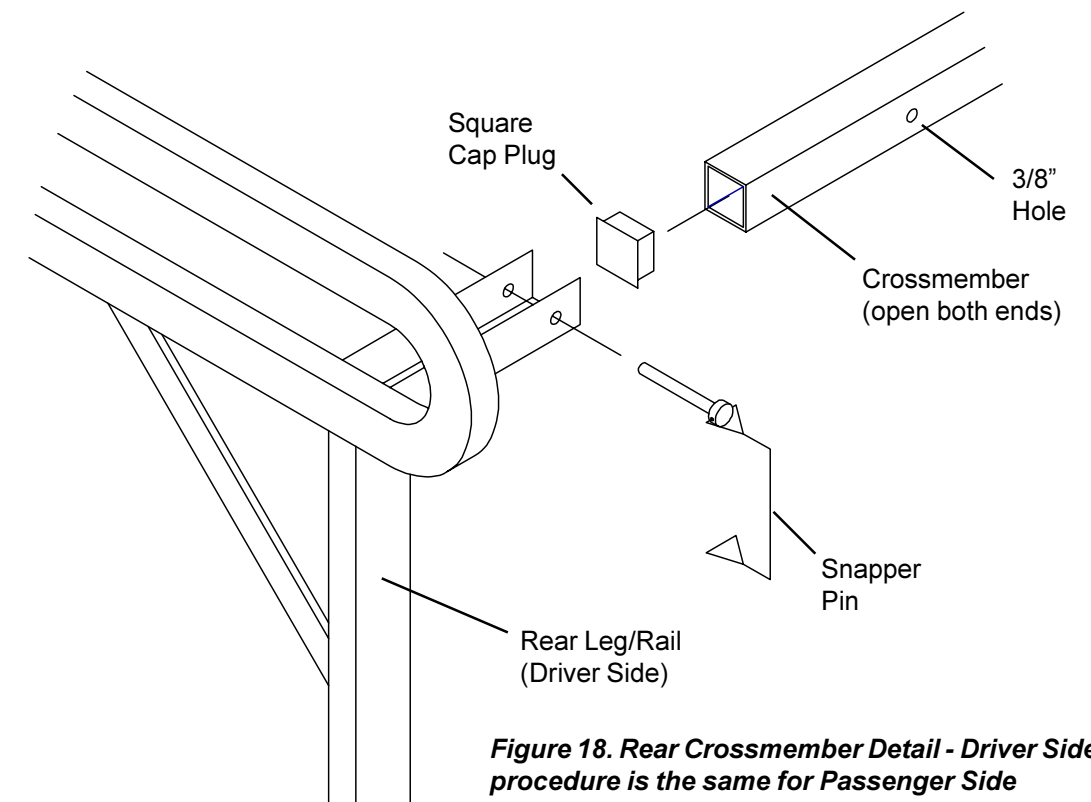


Figure 18. Rear Crossmember Detail - Driver Side only shown - procedure is the same for Passenger Side

9. Ladder Stop - Remove rear Crossmember and slide Ladder Stop onto it. Install Crossmember on rack. With a Ladder on the rack, locate the Ladder Stop inside of the ladder and then secure. Insert a strap through the loop on the Ladder Stop and on the front Crossmember Socket. Refer to the warning decal on the Ladder Stop.

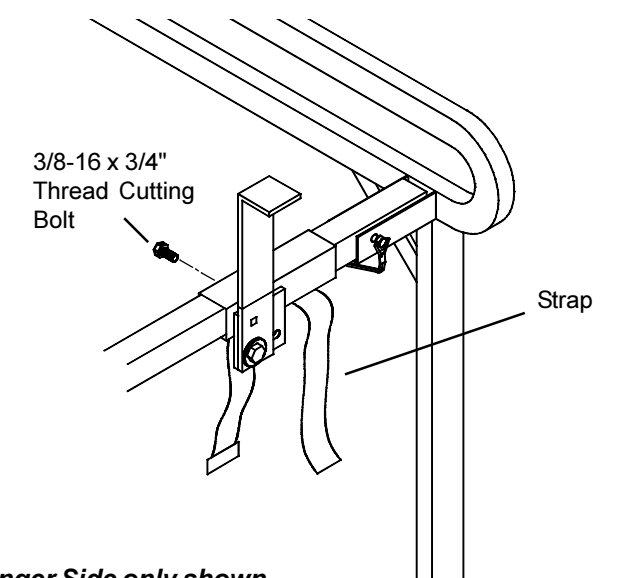


Figure 19. Ladder Stop Detail - Passenger Side only shown - procedure is the same if deciding to install on the Driver Side

10. Front and Middle Crossmember - Install one at the front and one at the middle of the rack (see Figure 20.).

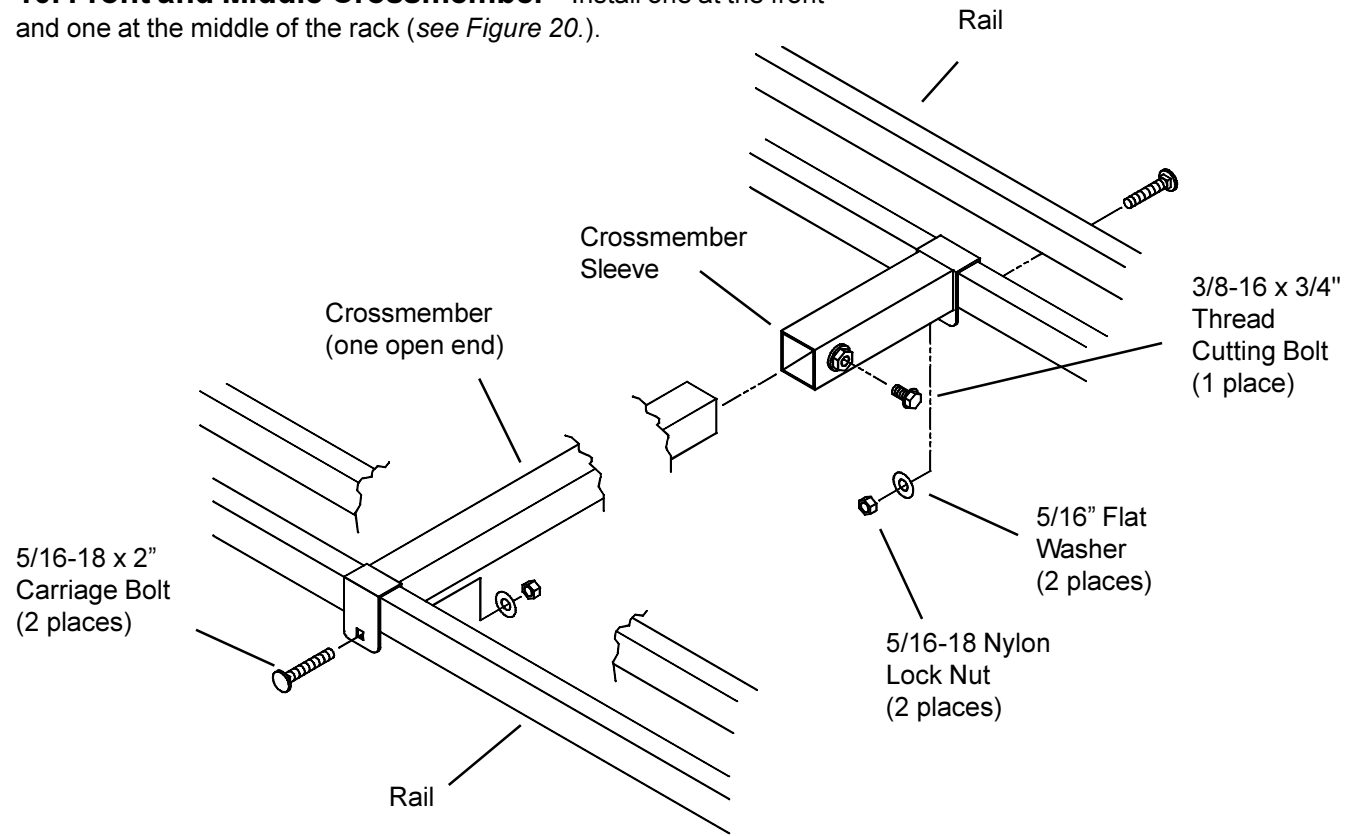


Figure 20. Front and Middle Crossmember Assembly/Installation
(see Figure 1. for approximate placement on the rack)

11. Rope Cleats - Install the four Rope Cleats where desired. Apply E-6000 Sealant on the back of the Rope Cleats and under the nuts before installing (see Figure 21.).

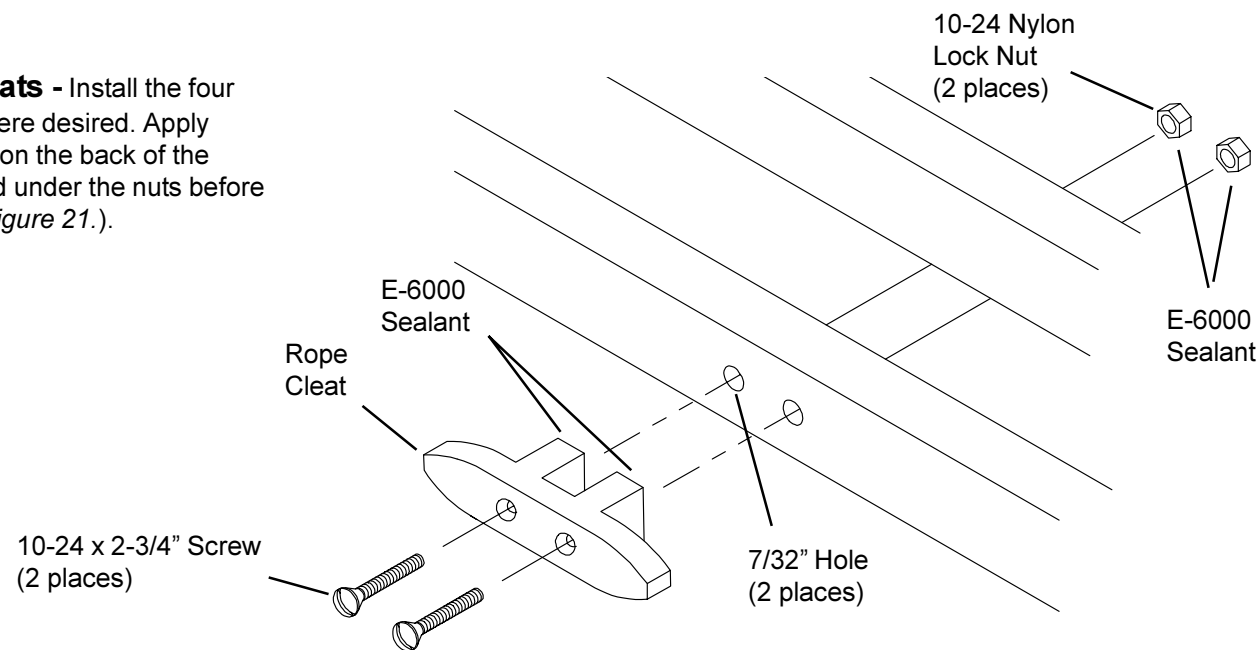


Figure 21. Rope Cleats - Illustration shows only one Rope Cleat - repeat this for the remaining three Rope Cleats
(see the cover page illustration for approximate placement)

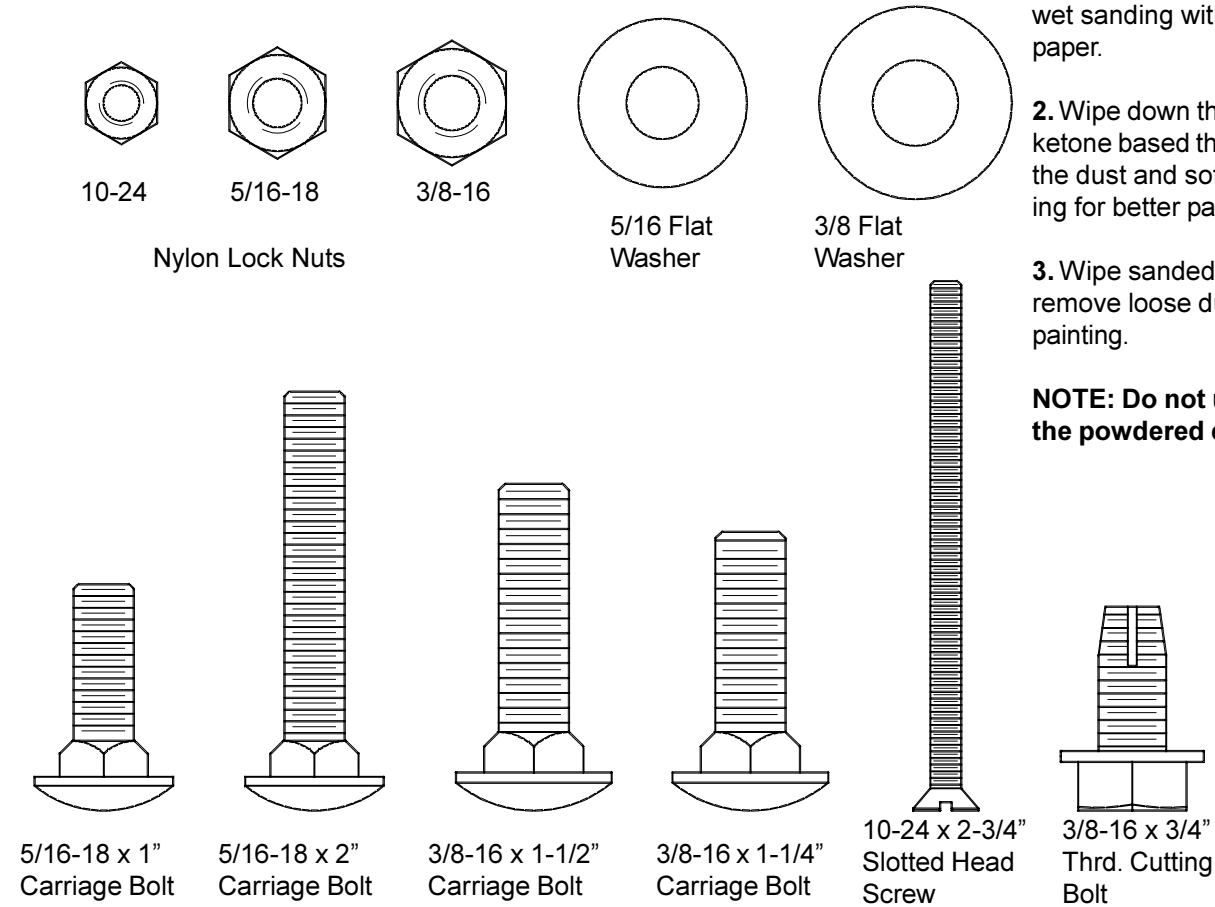
12. Sealant - Seal all nuts, bolts, and Crossmember to sleeve seams with E-6000 Sealant.

WARRANTY WILL BE VOID IF SEALANT IS NOT APPLIED TO ALL SEAMS AND CREVICES

⚠ WARNING

Ladders must be secured per ANSI standard A142.2-1990 paragraph 8.4.4. Ladder damage will occur from road shock and vehicle vibration if the ladder is not properly secured to the ladder rack. Bouncing and side to side motion of an improperly secured ladder will cause wear and weaken the ladder. Using a damaged ladder could lead to a structural collapse and could result in a serious injury or death.

Bolt Chart



- NOTICE -

Any modification or unintended use of this product shall immediately void all manufacturers warranties. Manufacturer disclaims all liability for injuries to persons or property resulting from any modification to, or unintended use of this product.

If you have any questions, please give us a call. **Call Toll Free 1-800-456-7865**

Weather Guard® products are protected by one or more of the following patents or trademarks:
U.S. - 842268, 1661625, 1663369; Canada - 1218968, 282725; U.K. - 1400720;
N.Z. - 296049; AUS. - 761964; other patents pending.



KNAACK LLC
420 E. TERRA COTTA AVENUE
CRYSTAL LAKE, ILLINOIS, 60014 - 815-459-6020
©2004 Knaack LLC



WEATHER GUARD® REFINISHING PROCEDURES

All Weather Guard® products are finished with a polyester powdered coating, and it is important to follow these procedures to get proper adhesion. As Weather Guard® cannot control the finishing of the products, Weather Guard's® warranty on paint is not applicable on refinished products.

1. Sand the surface to be painted with 180-200 grit sand paper to rough up the surface. This should be followed by wet sanding with a 400 grit wet or dry paper.
2. Wipe down the sanded surface with ketone based thinner. This removes the dust and softens the powder coating for better paint adhesion.
3. Wipe sanded area with a tack rag to remove loose dust and particles before painting.

NOTE: Do not use a lacquer over the powdered coating.