



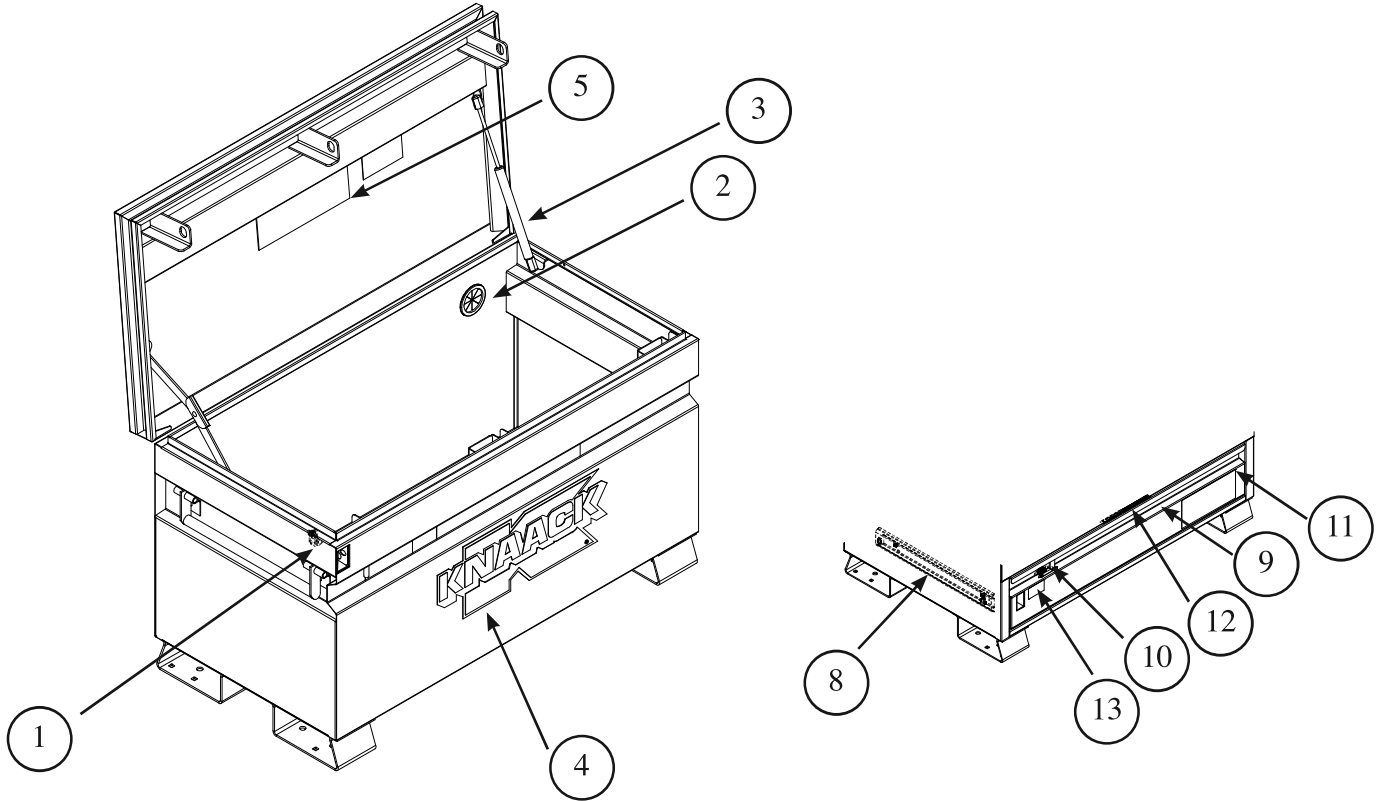
JOBSITE SITE EQUIPMENT

REPLACEMENT PARTS

JOBMASTER® CHESTS

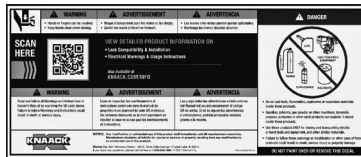
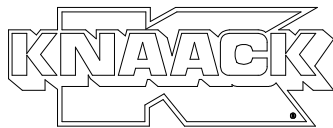
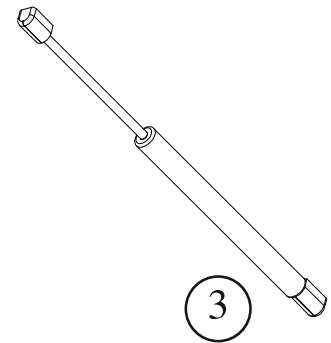
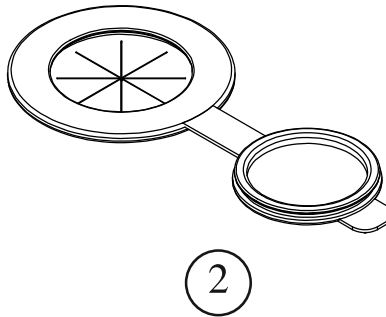
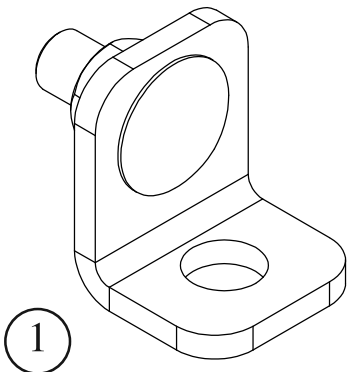
MODELS 32, 36, 42, 60, 2472, 4824, 4830, 4830-D

FOR REPLACEMENT PARTS GO TO KNAACK.COM



ITEM	PART #	DESCRIPTION	FITS MODEL(S)
1	7286-1PK	W/IV LOCK TAB KIT	ALL
2	70030-1PK	PLUG/GROMMET 1 PACK	42, 4824, 4830, 4830-D, 60, 2472
3	70267	DAMPENING SPRING	4824, 4830, 4830-D, 60, 2472
4	70192R	DECAL KNAACK LARGE	4830, 4830-D, 60, 2472
5	70193R	DECAL LOCK INSTALLATION	ALL
6	70197R	DECAL KNAACK MEDIUM	32, 36, 42
7	953-1CN	TAN TOUCH-UP (AEROSOL)	ALL
8	70196R	DRAWER SLIDES	4830-D
9	70264	REPLACEMENT DRAWER 4830-D	4830-D
10	70266	SPRING, DRAWER	4830-D
11	70289	DECAL JUNK TRUNK	4830-D
12	70194R	DECAL KEEP HANDS CLEAR	4830-D
13	70195R	DECAL TIPPING HAZARD	4830-D

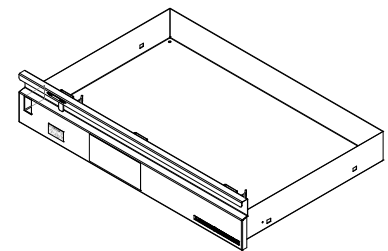
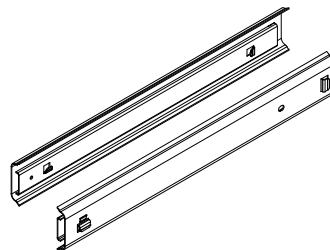
If you have any questions, please call Customer Service toll free at 1-800-456-7865.



4

5

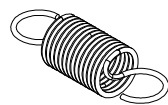
6



7

8

9



10

11

12

⚠ WARNING KEEP HANDS/FEET CLEAR WHEN OPENING TO PREVENT SERIOUS PERSONAL INJURY.

13

⚠ CAUTION
BOX MAY TIP. THE WEIGHT STORED INSIDE THE DRAWER, MUST NOT EXCEED THE WEIGHT STORED INSIDE THE UPPER SECTION OF CHEST AT ANY TIME.