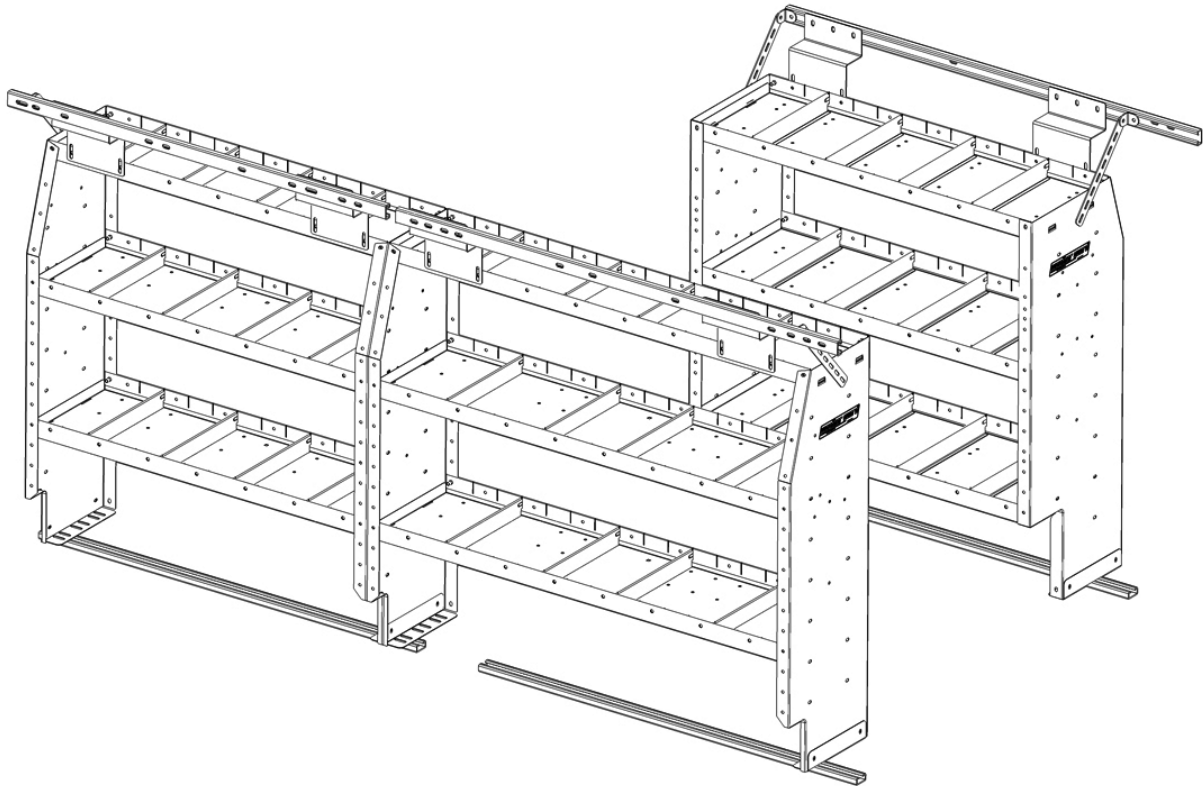




VAN STORAGE SOLUTIONS

**INSTALLATION INSTRUCTIONS for  
NISSAN NV  
SHELVING MOUNTING KIT**



Weather Guard / WERNER CO.  
420 E. Terra Cotta Ave.  
Crystal Lake, IL 60014 USA

800-456-7865 (Toll Free)  
800-334-2981 (Fax)

Weather Guard / WERNER CO.  
9133 Leslie St. Unit 105  
Richmond Hill, ON L4B4N1

888-562-2251 (Toll Free)  
888-456-8460 (Fax)

**ATTENTION: PLEASE READ AND UNDERSTAND ALL INSTRUCTIONS AND WARNINGS BEFORE ASSEMBLING, INSTALLING OR USING THIS PRODUCT.**



## PLAN YOUR VAN (TIPS FOR FASTER INSTALLATION)

**FOR ELECTRIC VEHICLES** – Drilling into electrical wiring may damage vehicle systems and may cause bodily harm. This equipment should be installed by qualified personnel familiar with this type of vehicle and the hazards involved. To prevent damage to components underneath the floor, mainly the battery and high voltage system components, refer to your vehicle manufacturer's instructions or the manufacturer's website for more information."

- Follow these instructions to install your WEATHER GUARD® van shelving inside a Nissan NV van.
- Using these mounting brackets you will be able to install the van shelving using factory installed weld nuts and mounting holes.
- Take into consideration any REDZONE end panel mounting accessories to be used and the desired location. The shelves can be easily adjusted.

## HARDWARE KIT

Description	Quantity
Mounting Plate	21
1/4"-20 x 3/4" Bolt	18
5/16"-18 x 1" Carriage Bolt	21
5/16"-18 x 5/8" Bolt	10
1/4"-20 Nylon Lock Nut	18
5/16"-18 Nylon Lock Nut	31
Fender Washer	25
1/4" Washer	18
3/8" Spacer	20
1/2" Spacer	13
5/16" Washer	49
Cap Rect. Red 3/4x1-5/8x1	4
Thermoplastic Bumper	10
M8-1.25 x 35mm Button Head Screw	33

## TOOLS REQUIRED

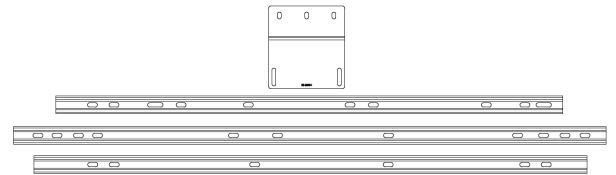
5mm Allen Wrench  
 7/16" Socket  
 7/16" Wrench  
 1/2" Socket  
 1/2" Wrench  
 9/16" Wrench  
 Level  
 Torque wrench

## CAUTION

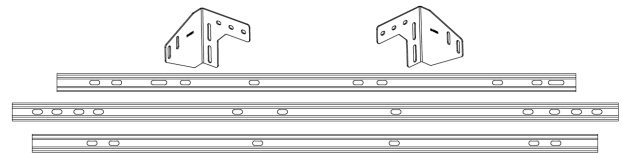
Be safe—always wear protective eyewear to keep debris out of your eyes when installing WEATHER GUARD® van products.

## PARTS LIST

97501-3-01 Low Roof Nissan NV	
Description	Quantity
Bracket Low Roof	6
Mounting Channel 21-00509	3
Mounting Channel 21-00510	2
Mounting Channel 21-00511	1



97502-3-01 High Roof Nissan NV	
Description	Quantity
Bracket High Roof Left	3
Bracket High Roof Right	2
Mounting Channel 21-00509	3
Mounting Channel 21-00510	2
Mounting Channel 21-00511	1

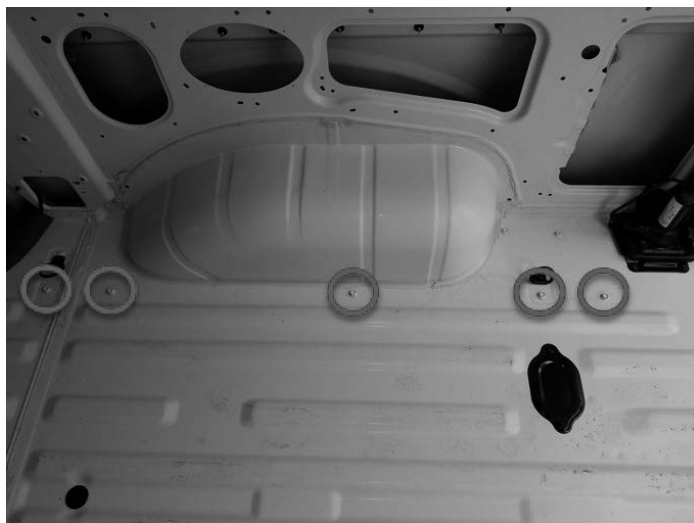


\* Images not to scale.

## MOUNTING KIT ASSEMBLY AND INSTALLATION INSTRUCTIONS

- The mounting channels will bolt to the upper inside wall and floor of the van using factory installed weld nuts.
- The mounting channels are common across both roof heights. The channels will be identified by their part number which can be found on the label on the back.
- There are three (3) 21-00509 channels which will be used on the front driver side wall, front driver side floor, and rear driver side floor.
- There are two (2) 21-00510 channels which will be used on the rear driver side wall and passenger side floor.
- There is one (1) 21-00511 channel which will be used on the passenger side wall.
- The parts that differ across the roof heights are the shelf brackets.
- Weather Guard Van Installation Kit is compatible with OEM interior trim kit. This is accomplished by utilizing provided spacers between the channels and the van wall/floor.

**STEP 1a.** Remove the bolts in the floor (Circled below).



**STEP 1b.** If the van is a low roof model, remove the foam block at the front pillar and the 2 bolts that hold it in place (Circled below).

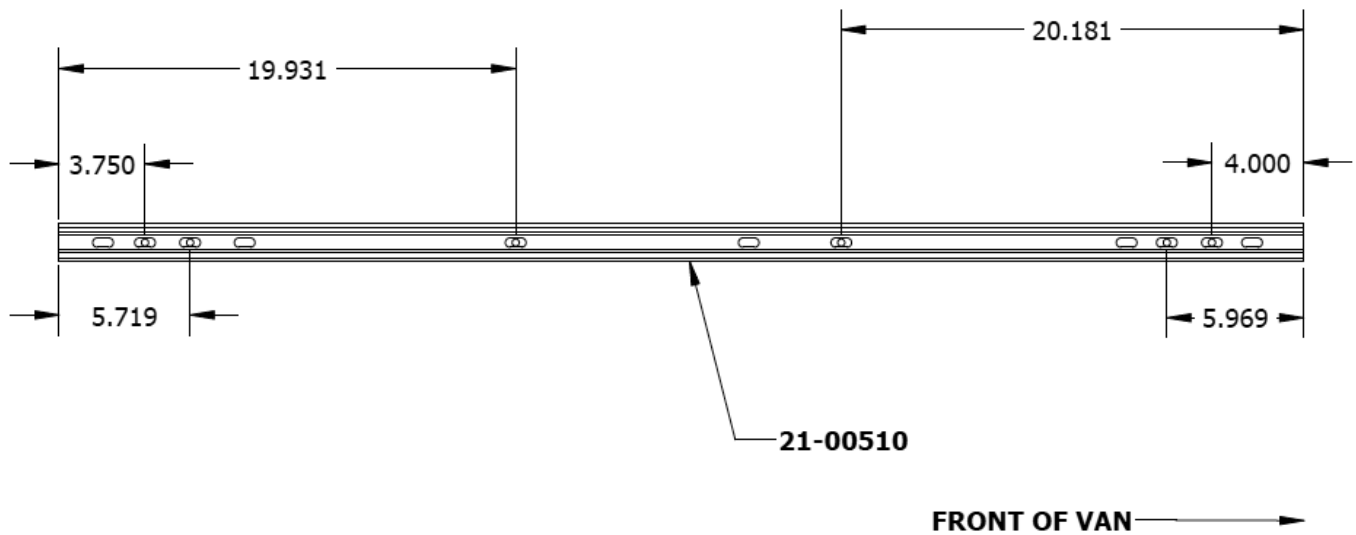


## MOUNTING KIT ASSEMBLY AND INSTALLATION INSTRUCTIONS

### STEP 2a. Mount driver side rear wall channel.

- Align a 21-00510 channel to the weld nuts in the van wall as shown below (dimensions for reference only).
- Attach the channel to the van wall using M8 bolts and washers through the channel slots shown and 3/8" spacers between the channel and the wall.
- Tighten the bolts to 20 ft-lbs using a 5mm Allen wrench.

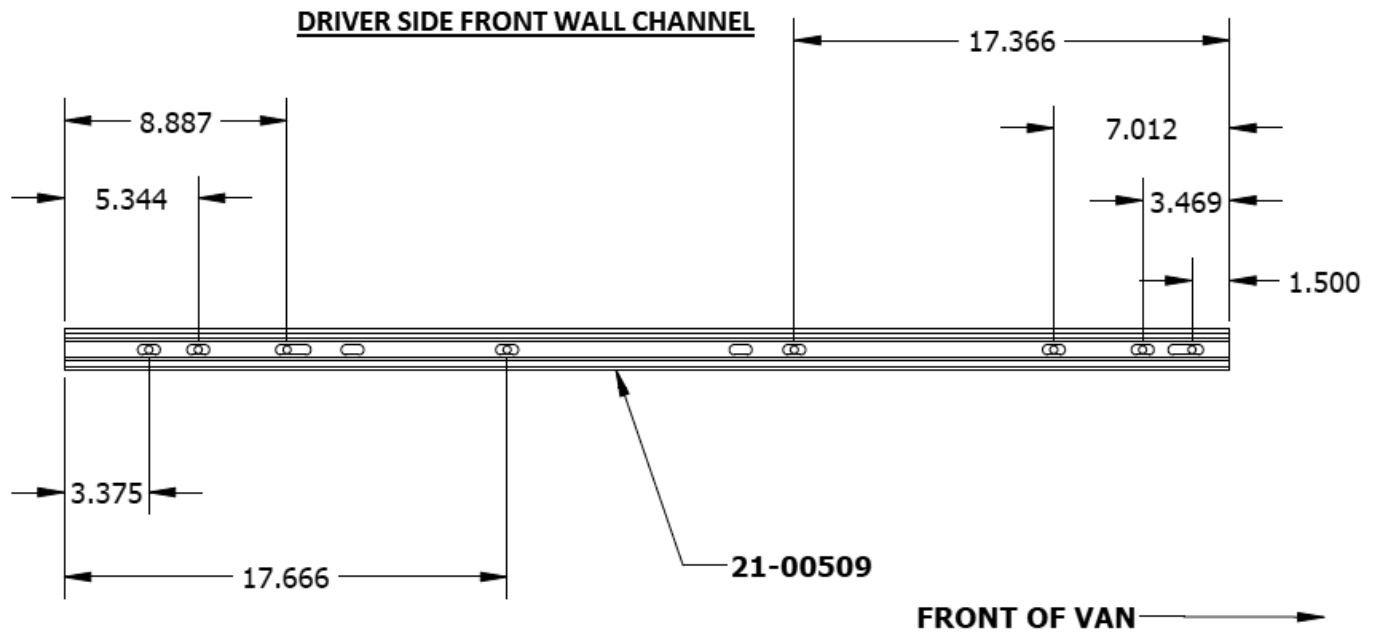
#### DRIVER SIDE REAR WALL CHANNEL



## MOUNTING KIT ASSEMBLY AND INSTALLATION INSTRUCTIONS

### STEP 2b. Mount driver side front wall channel.

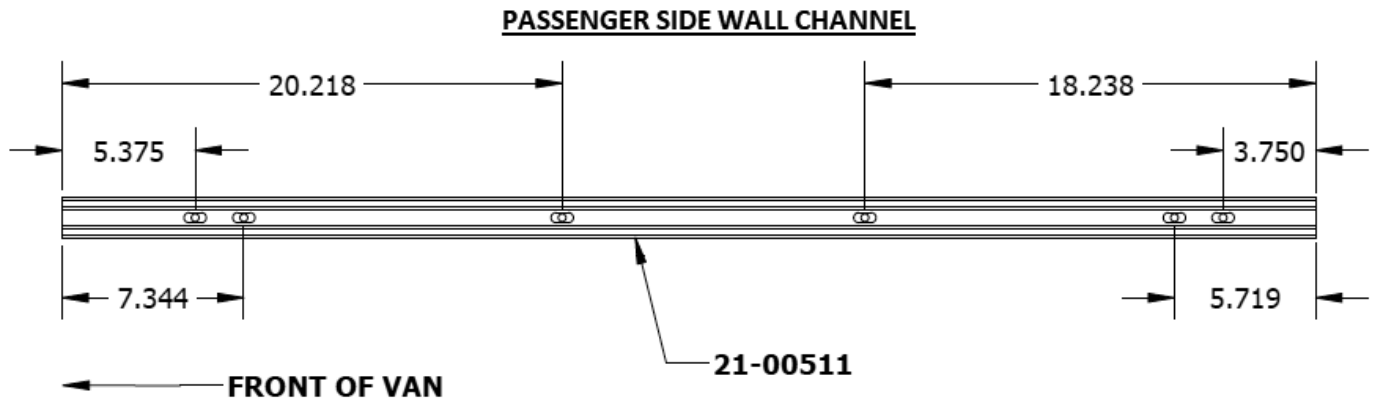
- Align a 21-00509 channel to the weld nuts in the van wall as shown below (dimensions for reference only).
- Attach the channel to the van wall using M8 bolts and washers through the channel slots shown and 3/8" spacers between the channel and the wall.
- Tighten the bolts to 20 ft-lbs using a 5mm Allen wrench.



## MOUNTING KIT ASSEMBLY AND INSTALLATION INSTRUCTIONS

### STEP 2c. Mount passenger side wall channel.

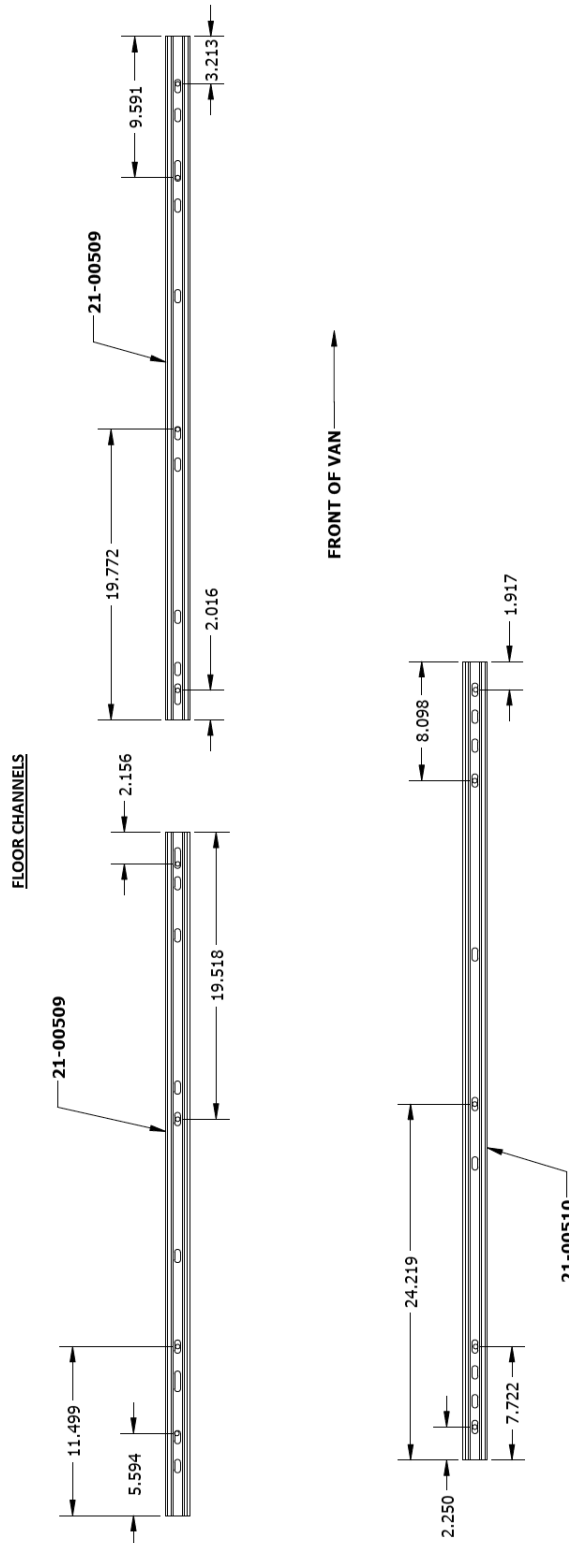
- Align the 21-00511 channel to the weld nuts in the van wall as shown below (dimensions for reference only).
- Attach the channel to the van wall using M8 bolts and washers through the channel slots shown and 3/8" spacers between the channel and the wall.
- Tighten the bolts to 20 ft-lbs using a 5mm Allen wrench.



# MOUNTING KIT ASSEMBLY AND INSTALLATION INSTRUCTIONS

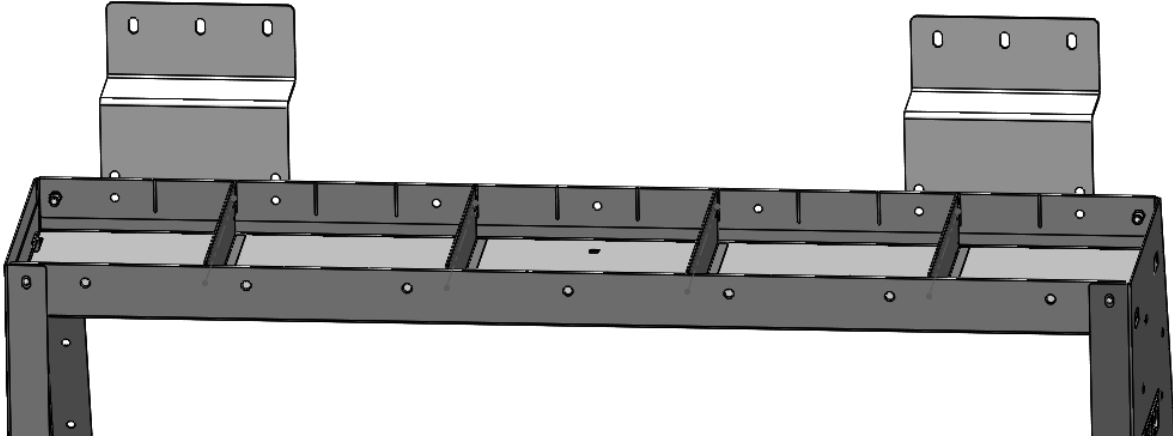
## STEP 3. Mount floor channels.

- Align the channels to the weld nuts in the van floor (where bolts were removed from in Step 1a) as shown below (dimensions for reference only).
- Attach the channels to the van floor using M8 bolts and washers through the channel slots shown. If the van has a floor liner, use 1/2" spacers between the channels and the floor.
- Tighten the bolts to 20 ft-lbs using a 5mm Allen wrench.



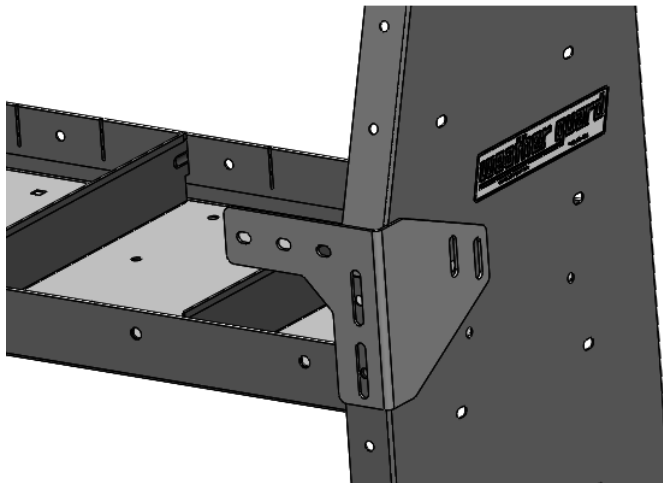
## MOUNTING KIT ASSEMBLY AND INSTALLATION INSTRUCTIONS

**STEP 4a.** Low Roof—Assemble two shelf brackets to the back of the top shelf lip on outer-most position using two 1/4-20 x 3/4" bolts, washers, and nylon lock nuts. Do not torque them down at this point.

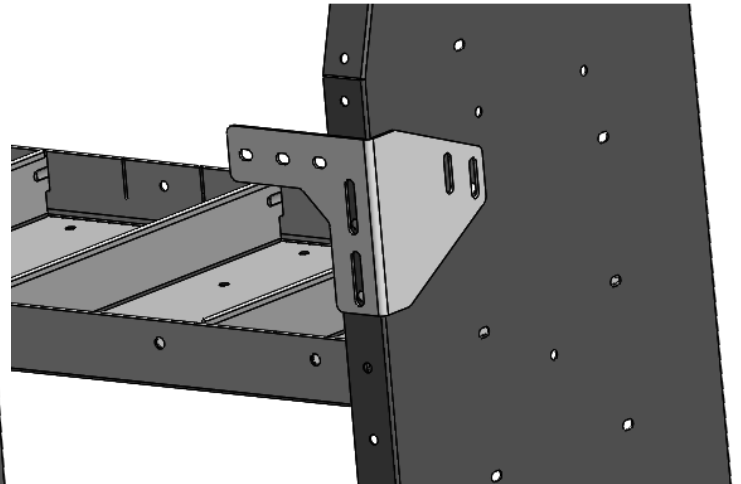


**STEP 4b.** High Roof—Assemble a shelf bracket to the outside back corner of the end panels using three 1/4-20 x 3/4" bolts, washers, and nylon lock nuts (2 through the back and 1 through the side of the end panel). Do not torque them down at this point. 13-1/2" shelves will use the top two holes on the back of the end panel. 16" shelves will use the 3rd and 4th holes from the top of the back of the end panel. **Note:** The top bolt on the back of each bracket may be omitted to avoid interference with the wall channel if necessary.

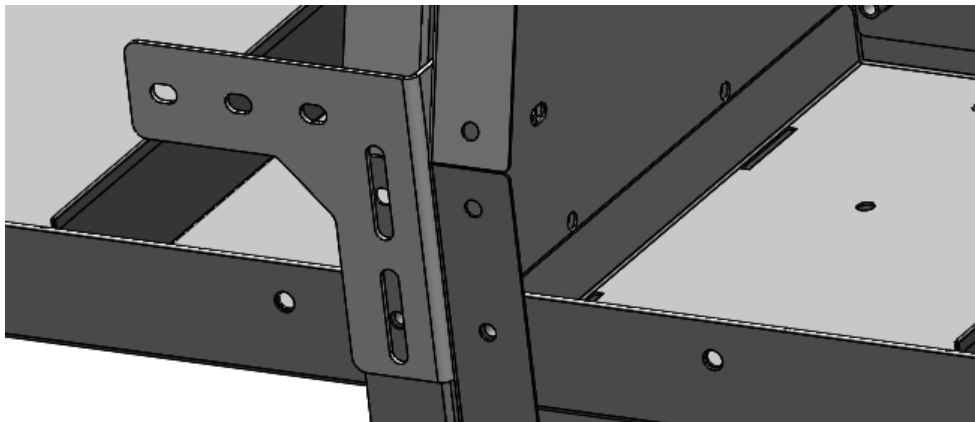
13-1/2" Shelf



16" Shelf



Where the shelves meet on the driver side, the bracket will be sandwiched between the two end panels.



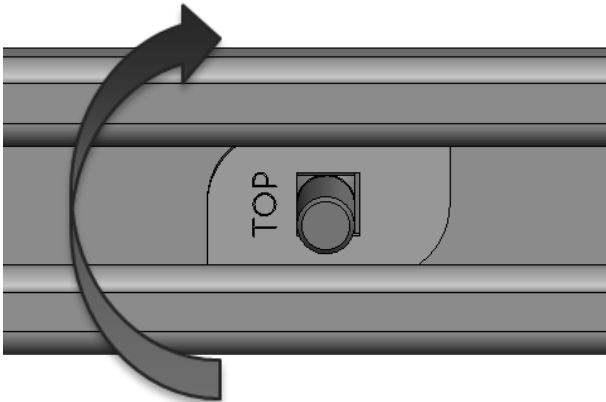


## MOUNTING KIT ASSEMBLY AND INSTALLATION INSTRUCTIONS

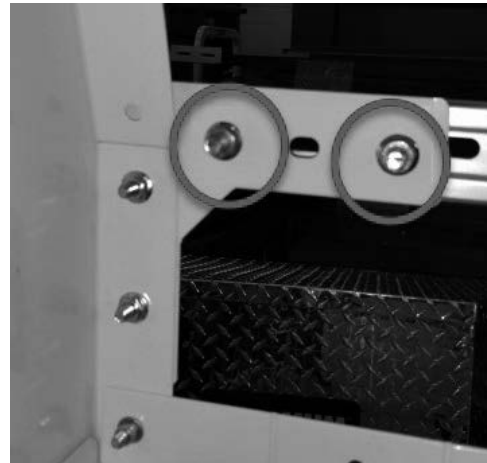
- STEP 5.** Position the carriage bolt plate such that you can read the word “TOP” and insert 5/16-18 carriage bolt from the bottom of the plate. Note: using a piece of masking tape (or equivalent) on back of the plate to lightly hold the carriage bolt to the plate may allow easier installation. You will need two plates per shelf bracket (12 total), one for each end strap (low roof only—4 total), and one for each shelf foot (5 total).



- STEP 6.** Insert the carriage bolt/plate assemblies through the wall channel and rotate 90 degrees clockwise. 8 (high roof) or 10 (low roof) will be used on driver side and 4 (high roof) or 6 (low roof) will be used on passenger side when installing standard configuration of two and one shelving for driver side and passenger side, respectively.



- STEP 7.** Position the shelves and carriage bolts/plates in desired location and fasten the shelves to the carriage bolt/plate using two 5/16-18 nylon lock nuts and washers. (Use the two outermost slots if possible, but the middle slot can be used if one of the outer slots causes interference)

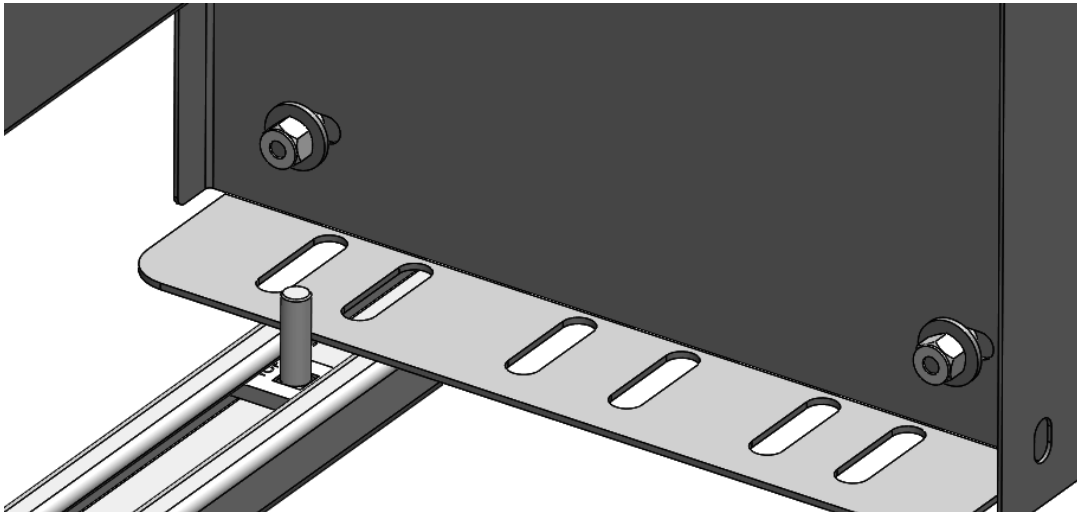


- STEP 8.** Two shelf units next to each other on driver side should be bolted together through the end panels using 1/4-20x3/4” bolts, washers, and nylon lock nuts.

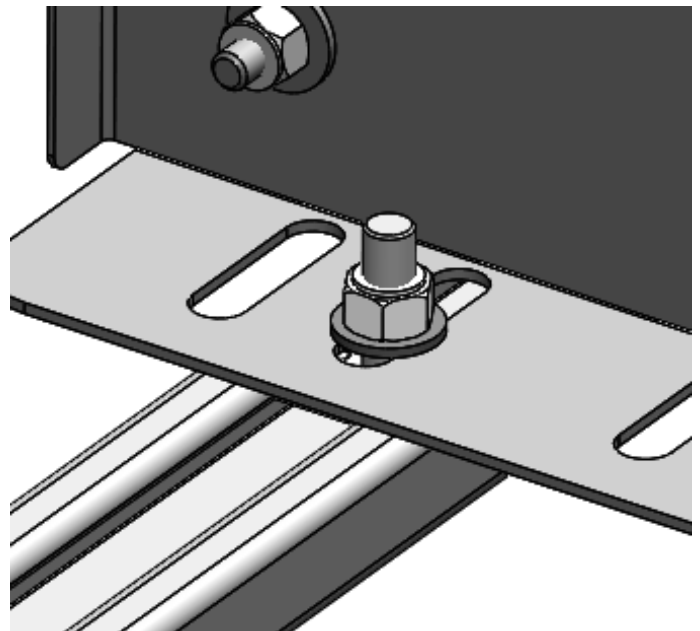
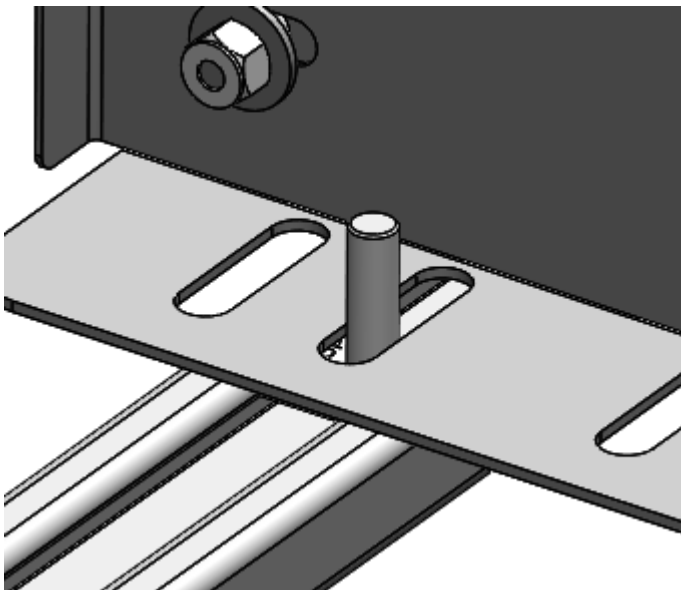
## MOUNTING KIT ASSEMBLY AND INSTALLATION INSTRUCTIONS

**STEP 9.** Install mounting feet. (Note: 13-1/2" shelf shown. 16" shelf will line up differently)

- Place a mounting plate with a carriage bolt in the floor channel near each desired foot location as done in the wall channels (Step 6). Note that you only need to use one mounting foot where the driver side shelves join.
- Insert the foot under the end panel from the outside of the end panel.
- Loosely attach the mounting feet to the side of the shelf end panel with 1/4-20x 3/4" bolts, washers and nylon lock nuts.
- Align the mounting foot to the carriage bolt such that the end panel is square/perpendicular to the floor.



- Lift the shelf and foot over and onto the carriage bolt (left picture below).
- Loosely attach the mounting foot to the carriage bolt using a 5/16-18 nylon lock nut and washer (right picture below).
- Make final adjustments to shelf positioning and then tighten all hardware at the floor channels, at the wall channels, and at the shelf. Torque all 1/4-20 hardware to 76 in-lbs and all 5/16-18 hardware to 13 ft-lbs.



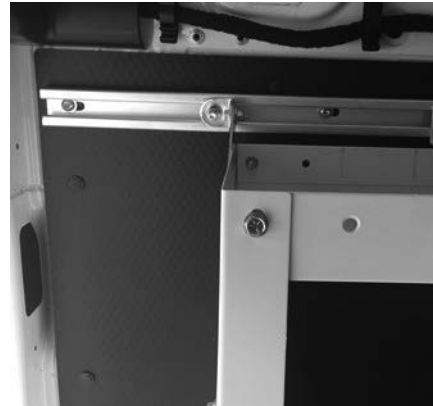
## MOUNTING KIT ASSEMBLY AND INSTALLATION INSTRUCTIONS

### STEPS 10 & 11—Low Roof Only

**STEP 10.** Loosely assemble L-bracket for the end straps to the carriage bolt/plate assembled in **STEP 5**. Use washer and 5/16-18 nylon lock nut using 1/2" socket. The face of the L-bracket that is perpendicular to the mounting channel may face front or rear of the van depending on the shelf size and configuration.



**STEP 11.** Install the end strap to the L-bracket using 1/4-20 x 3/4" bolt, washer, and nylon lock nut using 7/16" wrench and socket. Position the strap such that it is inline with the end panel. Align the end strap to one of the holes on the end panel and secure it using 1/4-20 x 3/4" bolt, washer, and nylon lock nut. Make sure all components are aligned and tighten.



**STEP 12.** Make sure all shelves are aligned and make sure all bolts and nuts are properly torqued to spec. use 76 in-lbs for 1/4-20 hardware and 13 ft-lbs for 5/16-18 hardware.

## WARNING

This product is only intended and safe for use in storing and transporting small tools, equipment and other similar materials. These instructions are to be followed using the parts and fasteners supplied for proper installation. Any modifications or improper installation of this product will create a hazardous condition that could result in death, serious personal injury and/or property damage.

All floor mounting bolts near the fuel tank area should be installed from the underside of the vehicle, to guard against the fuel tank being punctured in the event of a collision. This would mean not using Blind Fasteners in this area. Holes in this area should be 5/16". Ensure ample space in roof ribs and sidewall ribs for mounting screws so as not to puncture exterior roof or wall.

Do not install this product where it could interfere with deployment of air bags. Failure to comply could result in death or serious body injury.

## - NOTICE -

Any modification or unintended use of this product shall immediately void all manufacturers warranties. Manufacturer disclaims all liability for injuries to persons or property resulting from any modification to, or unintended use of this product.

## WERNER CO. LIMITED LIFETIME WARRANTY FOR WEATHER GUARD® PRODUCTS

### WEATHER GUARD® Products — Limited Lifetime Warranty (Purchased on or after 1/1/2009)

WERNER CO. (the "Manufacturer") warrants to the original purchaser only that WEATHER GUARD® Truck and Van Products (the "WEATHER GUARD® Product") will be free from defects in material and workmanship from the date of purchase and continuing for the expected lifetime of the WEATHER GUARD® Product. A copy of the original sales receipt must be supplied to the Manufacturer at the time a warranty claim is made. This warranty terminates if the original purchaser transfers the WEATHER GUARD® Product to any other person.

#### What is Covered

All WEATHER GUARD® Products identified above that are purchased on or after January 1, 2009.

#### What We Will Do to Correct Problems

Subject to the limitations and exclusions described in this limited warranty, the Manufacturer will remedy defects in materials or workmanship by providing one of the following remedies at its option and without charge to the original purchaser for parts or labor: (a) repairing the defective portion of the WEATHER GUARD® Product or (b) replacing the entire WEATHER GUARD® Product. In addition, the manufacturer may elect at its option, not to repair or replace the WEATHER GUARD® Product, but rather issue to the original purchaser a refund equal to the purchase price paid for the WEATHER GUARD® Product or a credit to be used toward the purchase of new WEATHER GUARD® Product.

#### What is Not Covered

This limited warranty expressly excludes:

- Defects caused by normal wear and tear, cosmetic rust, scratches, accidents, unlawful vehicle operation, or modification to the product, or any types or repair of a WEATHER GUARD® Product other than those authorized or provided by the Manufacturer.
- Defects resulting from conditions beyond the Manufacturer's control including, but not limited to misuse, overloading, or failure to assemble, mount or use the WEATHER GUARD® Product in accordance with the Manufacturer's written instructions or guidelines included with the WEATHER GUARD® Product or made available to the original purchaser.
- Damage to the contents of the box or vehicle.
- TO THE EXTENT PERMITTED BY LAW, IN NO EVENT SHALL THE MANUFACTURER BE LIABLE FOR ANY INCIDENTAL, SPECIAL, INDIRECT, OR CONSEQUENTIAL DAMAGES, INCLUDING ANY ECONOMIC LOSS, WHETHER RESULTING FROM NON-PERFORMANCE, USE, MISUSE OR INABILITY TO USE THE WEATHER GUARD® PRODUCT OR THE MANUFACTURER'S NEGLIGENCE.

#### No Other Express Warranty Applies

This Limited Lifetime Warranty is the sole and exclusive warranty for WEATHER GUARD® Products. No employee, agent, dealer, or other person is authorized to alter this warranty or make any other warranty on behalf of WERNER CO.

#### Notification Procedures

If the WEATHER GUARD® Product does not conform with the terms of this limited warranty, the original owner must promptly notify the Manufacturer in writing upon discovery of the nonconformity. In order to receive the remedies under this limited warranty, the warranty claim must describe the nature of the nonconformity, and a copy of the original sales receipt, invoice, bill or other proof of purchase must accompany the claim. Repairs or modifications made to the WEATHER GUARD® Product by other than the Manufacturer or its authorized agent will nullify this limited warranty. Coverage under this limited warranty is conditioned at all times upon the owner's compliance with these required notification and repair procedures. Warranty claims must include reciprocal contact information and may be made via certified mail to:

#### WERNER CO.

ATTN: Weather Guard® Warranty Claims  
555 Pierce Road, STE 300, Itasca, IL 60143 USA

[weatherguard.com](http://weatherguard.com)

If you have any questions, please call toll free at 1-800-456-7865