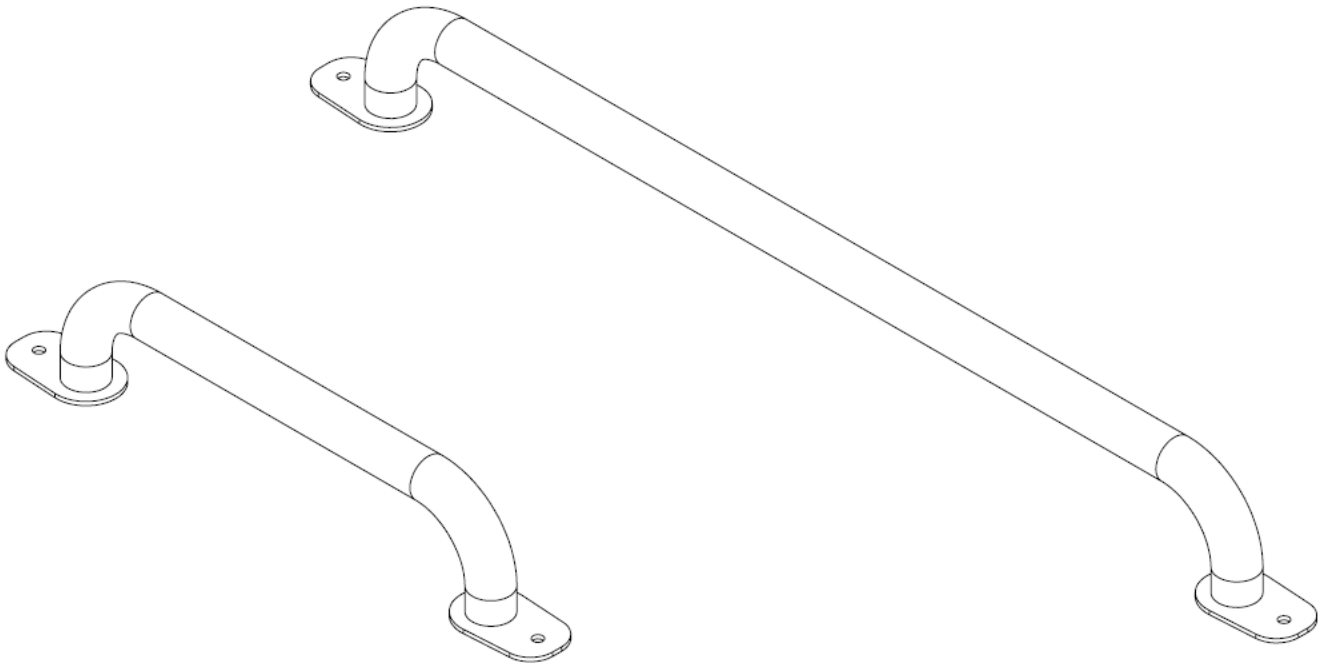




VAN STORAGE SOLUTIONS

INSTALLATION INSTRUCTIONS for ACCESSORY GRAB HANDLE



MODEL 9894-7-01 & 9895-7-01

Weather Guard / WERNER CO.
420 E. Terra Cotta Ave.
Crystal Lake, IL 60014 USA
888-523-3371

ATTENTION: PLEASE READ AND UNDERSTAND ALL INSTRUCTIONS AND WARNINGS

INSTALLATION GUIDELINES

- WEATHER GUARD® grab handle is designed to be used on sliding door side B-pillar and rear door D-pillars, Bulkheads, and shelving units.
- Review vehicle manufacturer's NO DRILL zones.
- Make sure that the desired grab handle location will not interfere with the door when closing.
- Always wear protective eyewear to keep debris out of your eyes when installing WEATHER GUARD® Van Products.
- Use a drill stop to prevent drilling past desired depth.
- Tighten M6 bolts to 20Nm or 15ft-lb when ready.

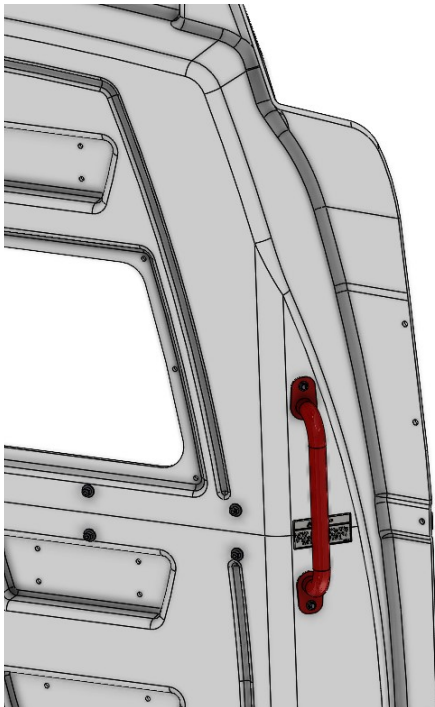
HARDWARE KIT

DESCRIPTION	QTY
1" fender washer	2
M6-1.0 x 20mm bolt	2
M6-1.0 lock nut	2
M6-1.0 blind fastener	2
M6-1.0 x 50mm bolt	1
Blind fastener tool	1

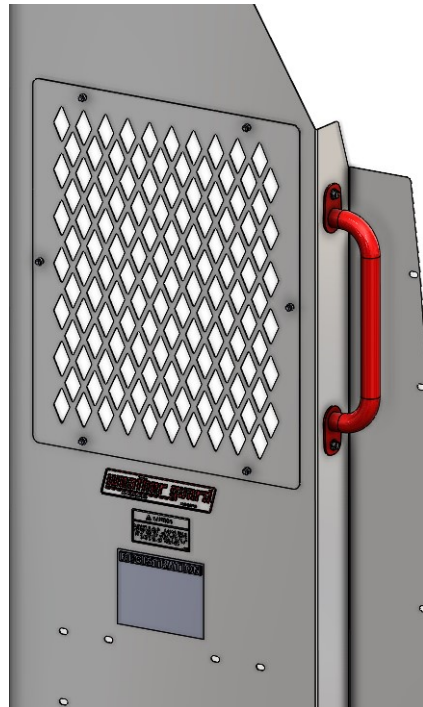
TOOLS REQUIRED	
10mm Socket	5/16" drill bit
10mm Wrench	3/8" drill bit
9/16" Wrench	Power drill
Ratchet	Drill stop
Torque wrench	

INSTALLATION STEPS

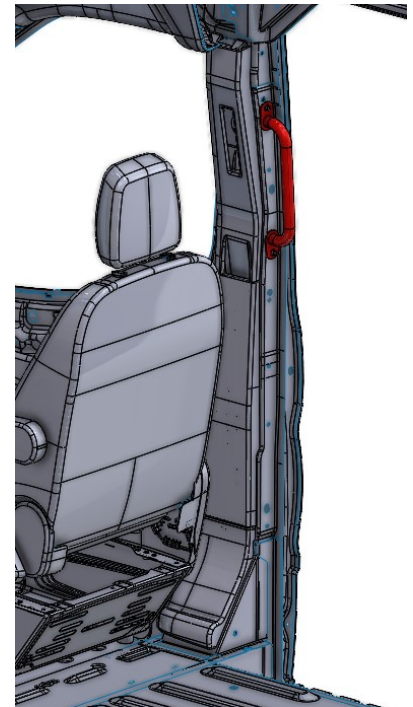
1a. Determine desired grab handle location and mark the mounting hole location. Small grab handle (9894-7-01) is best suited for sliding door side (typically passenger side) B-pillar and bulkheads.



Composite Bulkhead



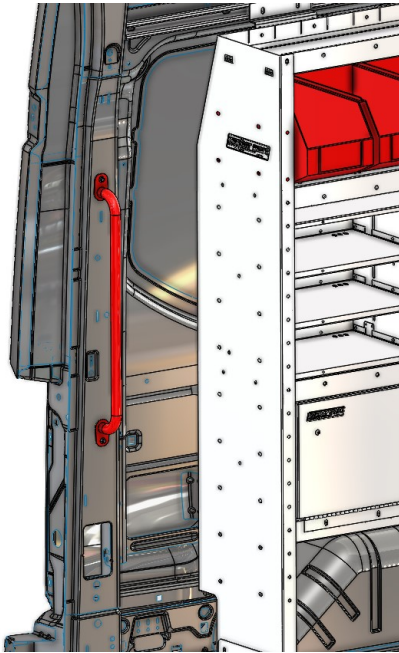
Steel Bulkhead



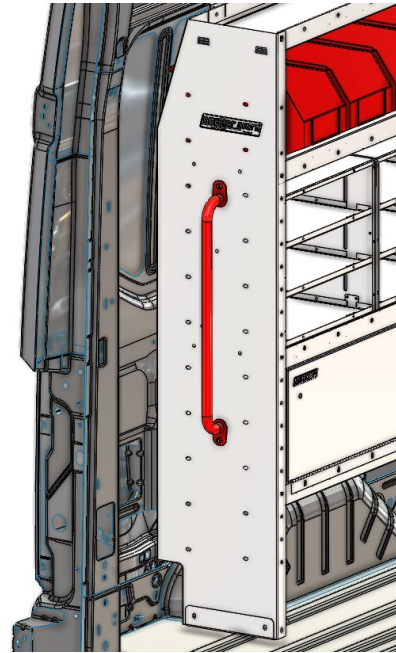
B-Pillar

ATTENTION: PLEASE READ AND UNDERSTAND ALL INSTRUCTIONS AND WARNINGS

1b. Large grab handle (9895-7-01) is best suited for D-pillars by the rear doors or on rear facing shelving end panels.



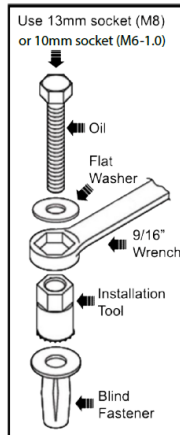
D-pillar



Shelf End Panel

2. Drill marked location using 5/16" bit for bulkhead and shelf end panel use. Drill marked location using 3/8" bit for vehicle mounted use (B-pillar and/or D-pillars). Use a drill stop to prevent over-drilling.

3. Install blind fasteners per the blind fastener installation procedure if the grab handle is going to be installed on B-pillar or D-pillars. Otherwise skip to step 4.



**INSTALLATION PROCEDURE
USING BLIND FASTENERS**

Place a drop of oil on the M8-1.25 x 55mm or M6-1.0 X 50mm bolt before

Place the Blind Fastener in the hole and use a 13mm when installing M8 Blind Fastener or 10mm socket when installing M6-1.0 Blind Fastener and driver to tighten the bolt until the Blind Fastener is fully seated.

When setting the bolt, it will start out tight. As the Blind Fastener "bulbs" out it will get easier, until it bottoms out of sets.

Make sure the Blind Fastener and the installation tool do not slip during the installation.

4. Mount the grab handle to the holes or blind fasteners using the M6 bolts. Washers and nuts will need to be used when through-bolting on bulkheads and shelf end panels. Torque to 20Nm or 15ft-lb when ready.



Through-Bolt

Blind Fastener

! WARNING

This product can reduce the driver's ability to clearly see roadways, vehicular or pedestrian traffic and other objects through the rear and side windows of the vehicle, which can cause an accident. Extra precautions should be taken when driving a vehicle with this product. Make all adjustments necessary to ensure maximum visibility, including but not limited to, changing mirror and seating positions. State and local laws may prohibit obstruction of windows in a moving vehicle.

These instructions are to be followed using the parts and fasteners supplied for proper installation. Any modifications or improper installation of this product will create a hazardous condition that could result in death, serious personal injury and/or property damage.

! CAUTION

Prior to drilling, so as not to cut electric wires, fuel lines, brake lines, etc., check behind and underneath drilling and mounting locations. To keep debris out of your eyes when checking the underside of the vehicle, or when drilling, always wear protective eye wear. Failure to heed this warning will result in death or serious injury.

- NOTICE -

Any modification or unintended use of this product shall immediately void all manufacturer's warranties. Manufacturer disclaims all liability for injuries to persons or property resulting from any modification to, or unintended use of this product.

WERNER CO. LIMITED LIFETIME WARRANTY FOR WEATHER GUARD® PRODUCTS

WEATHER GUARD® Products — Limited Lifetime Warranty (Purchased on or after 1/1/2009)

WERNER CO. (the "Manufacturer") warrants to the original purchaser only that WEATHER GUARD® Truck and Van Products (the "WEATHER GUARD® Product") will be free from defects in material and workmanship from the date of purchase and continuing for the expected lifetime of the WEATHER GUARD® Product. A copy of the original sales receipt must be supplied to the Manufacturer at the time a warranty claim is made. This warranty terminates if the original purchaser transfers the WEATHER GUARD® Product to any other person.

What is Covered

All WEATHER GUARD® Products identified above that are purchased on or after January 1, 2009.

What We Will Do to Correct Problems

Subject to the limitations and exclusions described in this limited warranty, the Manufacturer will remedy defects in materials or workmanship by providing one of the following remedies at its option and without charge to the original purchaser for parts or labor: (a) repairing the defective portion of the WEATHER GUARD® Product or (b) replacing the entire WEATHER GUARD® Product. In addition, the manufacturer may elect at its option, not to repair or replace the WEATHER GUARD® Product, but rather issue to the original purchaser a refund equal to the purchase price paid for the WEATHER GUARD® Product or a credit to be used toward the purchase of new WEATHER GUARD® Product.

What is Not Covered

This limited warranty expressly excludes:

- Defects caused by normal wear and tear, cosmetic rust, scratches, accidents, unlawful vehicle operation, or modification to the product, or any types or repair of a WEATHER GUARD® Product other than those authorized or provided by the Manufacturer.
- Defects resulting from conditions beyond the Manufacturer's control including, but not limited to misuse, overloading, or failure to assemble, mount or use the WEATHER GUARD® Product in accordance with the Manufacturer's written instructions or guidelines included with the WEATHER GUARD® Product or made available to the original purchaser.
- Damage to the contents of the box or vehicle.
- TO THE EXTENT PERMITTED BY LAW, IN NO EVENT SHALL THE MANUFACTURER BE LIABLE FOR ANY INCIDENTAL, SPECIAL, INDIRECT, OR CONSEQUENTIAL DAMAGES, INCLUDING ANY ECONOMIC LOSS, WHETHER RESULTING FROM NON-PERFORMANCE, USE, MISUSE OR INABILITY TO USE THE WEATHER GUARD® PRODUCT OR THE MANUFACTURER'S NEGLIGENCE.

No Other Express Warranty Applies

This Limited Lifetime Warranty is the sole and exclusive warranty for WEATHER GUARD® Products. No employee, agent, dealer, or other person is authorized to alter this warranty or make any other warranty on behalf of WERNER CO.

Notification Procedures

If the WEATHER GUARD® Product does not conform with the terms of this limited warranty, the original owner must promptly notify the Manufacturer in writing upon discovery of the nonconformity. In order to receive the remedies under this limited warranty, the warranty claim must describe the nature of the nonconformity, and a copy of the original sales receipt, invoice, bill or other proof of purchase must accompany the claim. Repairs or modifications made to the WEATHER GUARD® Product by other than the Manufacturer or its authorized agent will nullify this limited warranty. Coverage under this limited warranty is conditioned at all times upon the owner's compliance with these required notification and repair procedures. Warranty claims must include reciprocal contact information and may be made via certified mail to:

WERNER CO. ATTN: Warranty Claims
420 E. Terra Cotta Avenue Crystal Lake, IL 60014
If you have any questions, please call 1-888-523-3371.

©2023 WERNER CO.