



VAN STORAGE SOLUTIONS

INSTALLATION MANUAL

BULKHEAD FOR FORD TRANSIT - ALL CONFIGURATIONS
96301-3-01, 96302-3-01, 96311-3-01, 96312-3-01, 96321-3-01, 96322-3-01,
96301-3-01D, 96302-3-01D, 96311-3-01D, 96312-3-01D, 96321-3-01D, 96322-3-01D

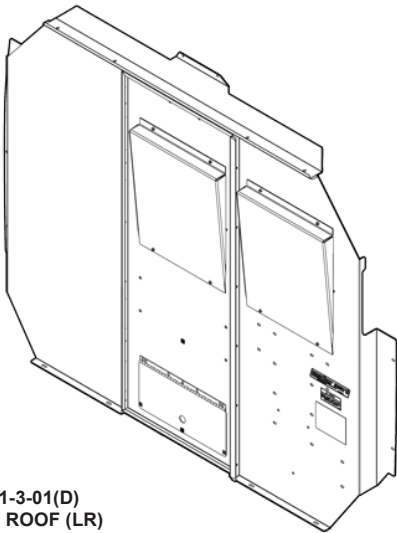
WEATHERGUARD.COM

ATTENTION: PLEASE READ AND UNDERSTAND ALL INSTRUCTIONS AND WARNINGS BEFORE ASSEMBLING, INSTALLING OR USING THIS PRODUCT.

FOR ELECTRIC VEHICLES – Drilling into electrical wiring may damage vehicle systems and may cause bodily harm. This equipment should be installed by qualified personnel familiar with this type of vehicle and the hazards involved. To prevent damage to components underneath the floor, mainly the battery and high voltage system components, refer to your vehicle manufacturer’s instructions or the manufacturer’s website for more information.

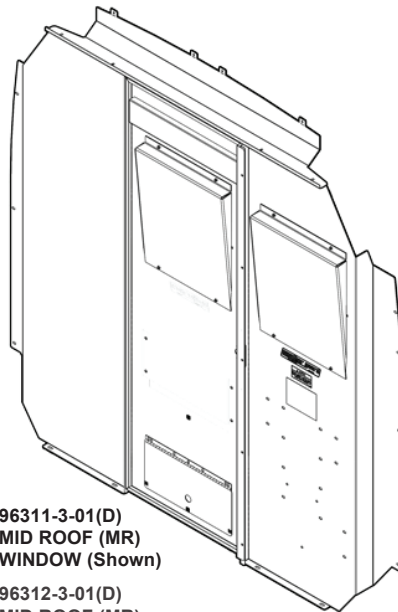
! PLAN YOUR VAN (TIPS FOR FASTER INSTALLATION)

- Installing your WEATHER GUARD® Bulkhead for the Ford Transit is very clear cut following these instructions.
- Before cutting or drilling in the floor, verify the location of the gas tank, fuel lines and electrical cables to prevent damaging vital components.
- When mounting to the floor, make sure that the blind fasteners go into the sheet-metal floor. Always wear eye protection when drilling or cutting.
- Suffix “D” is for deep offset Bulkhead models.
- When mounting the low roof models 96301-3-01 and 96302-3-01 to the B-pillars, cutting of the plastic trim is required. Using a hole saw will result in cleaner installation. Use the included 3/8” spacers to ensure solid mount to the van.
- All Transit bulkheads can be upgraded with a swing-door conversion kit, 96901-3-01.



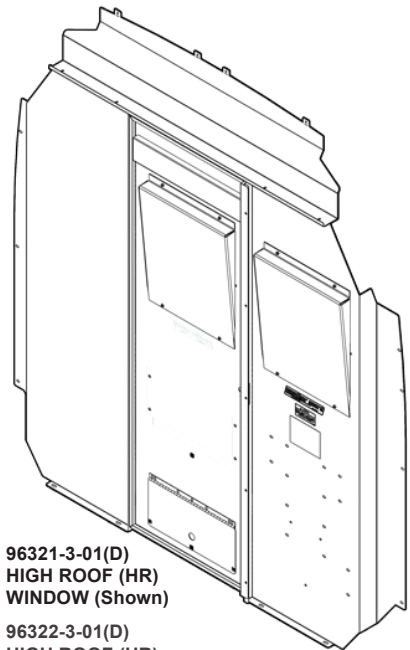
96301-3-01(D)
LOW ROOF (LR)
WINDOW (Shown)

96302-3-01(D)
LOW ROOF (LR)
SCREEN



96311-3-01(D)
MID ROOF (MR)
WINDOW (Shown)

96312-3-01(D)
MID ROOF (MR)
SCREEN



96321-3-01(D)
HIGH ROOF (HR)
WINDOW (Shown)

96322-3-01(D)
HIGH ROOF (HR)
SCREEN

TOOLS REQUIRED

- Electric drill
- Electric drill-driver or impact wrench
- Pencil or marker
- Hammer
- Center punch
- 1” hole saw
- Hack saw blade or sharp knife
- 3/8” and/or 1/4” drive ratchet
- 10mm socket and wrench
- 9/16” wrench
- Drill bits: 1/8”, 3/8”
- Level
- Carpenter’s square

BOLT KIT

DESCRIPTION	QTY. (LR)	QTY. (MR/HR)
Blind fastener M6	9	7
Bolt M6-1.0 x 16mm	20	26
Self-drilling screw M6	2	4
Nylon lock-nut M6-1.0	20	19
Flat washer 1/4”	20	19
Spacer 3/8”	5	-
Spacer 1/2”	4	4
Blind fastener install tool	1	1
Hex head bolt M6-1.0 x 50mm	1	1
Hex head bolt M6-1.0 x 30mm	9	4

INSTALLATION INSTRUCTIONS

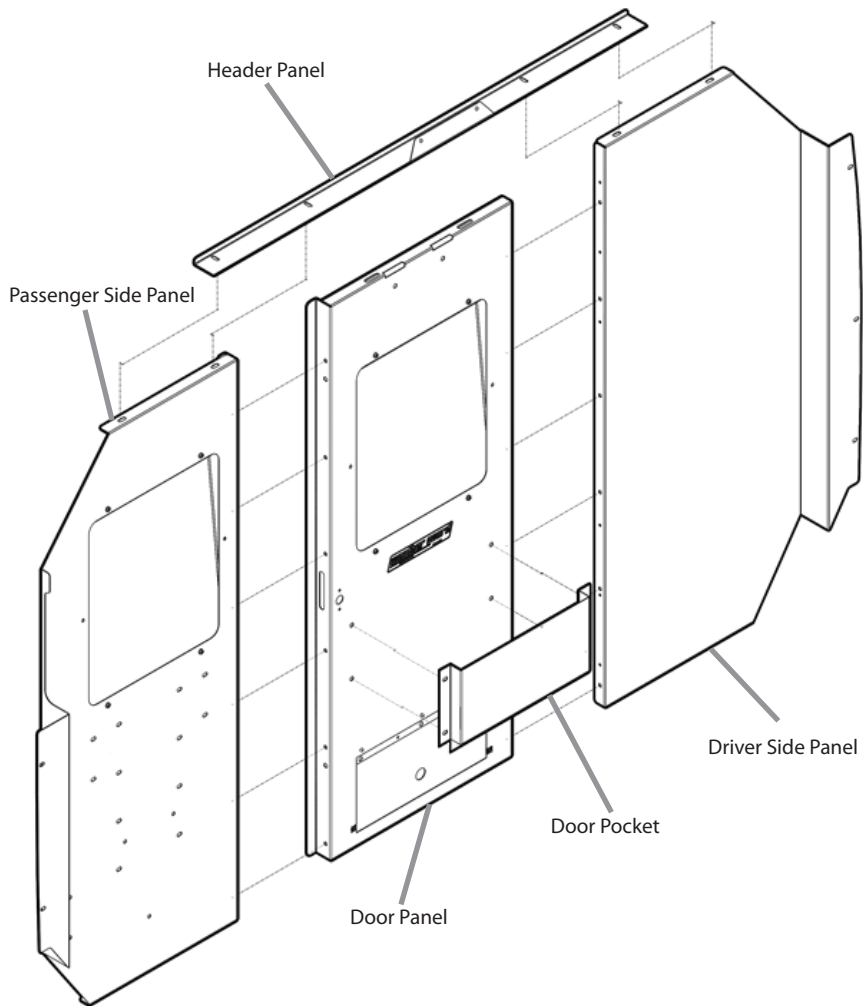


FIGURE 1. 96301-3-01 (CAB SIDE)

STEP 1.

Assemble the Door Pocket to cab side of the Door Panel using four sets of M6-1.0 x 16mm bolts, M6 x 1.0 Nylon Lock Nuts, and Flat Washers. Door Pocket may be installed on the cargo side if desired.

***NOTE:** Insert bolts from the cab side of the panel with washers and nuts on the cargo side.

STEP 2.

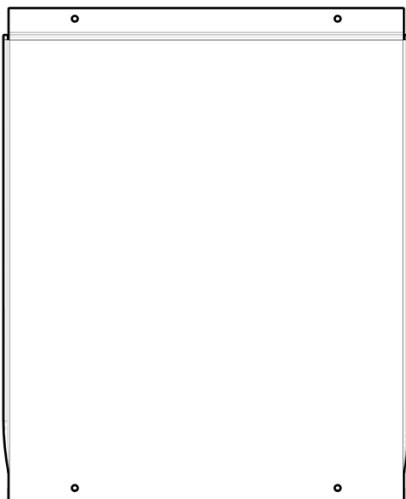
Attach Driver Side and Passenger Side Panels to center Door Panel using M6-1.0 x 16mm Bolts, M6 x 1.0 Nylon Lock Nuts, and Flat Washers. Optional Swing Door Hinge Kit (96901-3-01) may be installed now. Do not tighten fasteners at this time.

STEP 3.

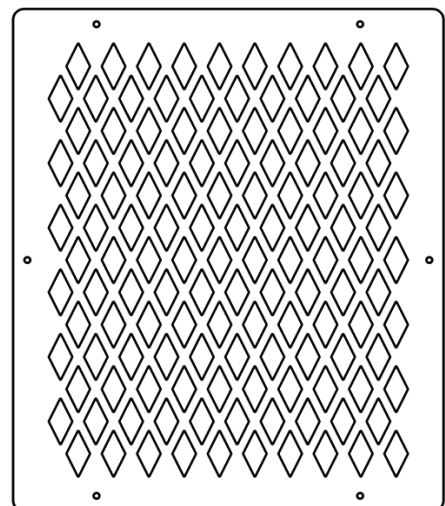
Attach Passenger Side Panel to Center Panel using M6-1.0 x 16mm Bolts, M6 x 1.0 Nylon Lock Nuts, and Flat Washers. Do not tighten fasteners at this time. Skip this step if the optional 96901-3-01 is being used.

STEP 4.

Attach the Header Panel using M6-1.0 x 16mm Bolts, M6 x 1.0 Nylon Lock Nuts, and Flat Washers. Do not tighten fasteners at this time.



Bulkhead models 96301-3-01(D), 96311-3-01(D), and 96321-3-01(D) have clear lexan windows mounted to Door Panel and Passenger Panel.



Bulkhead models 96302-3-01(D), 96312-3-01(D), and 96322-3-01(D) have diamond mesh screens mounted to Door Panel and Passenger Panel.

INSTALLATION INSTRUCTIONS

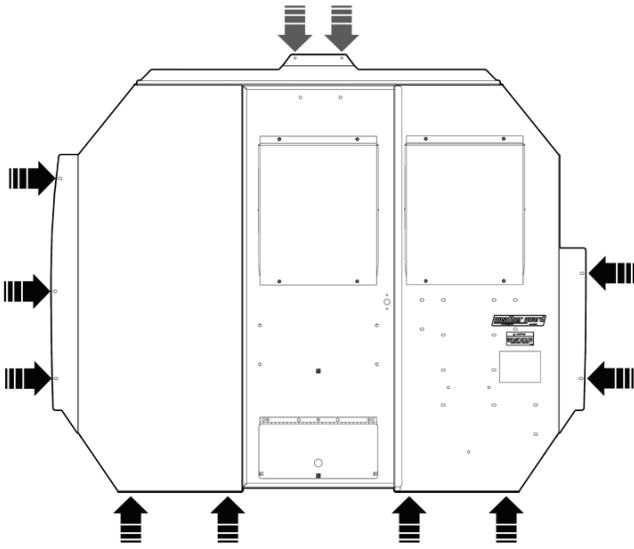


FIGURE 2. Low Roof Bulkhead

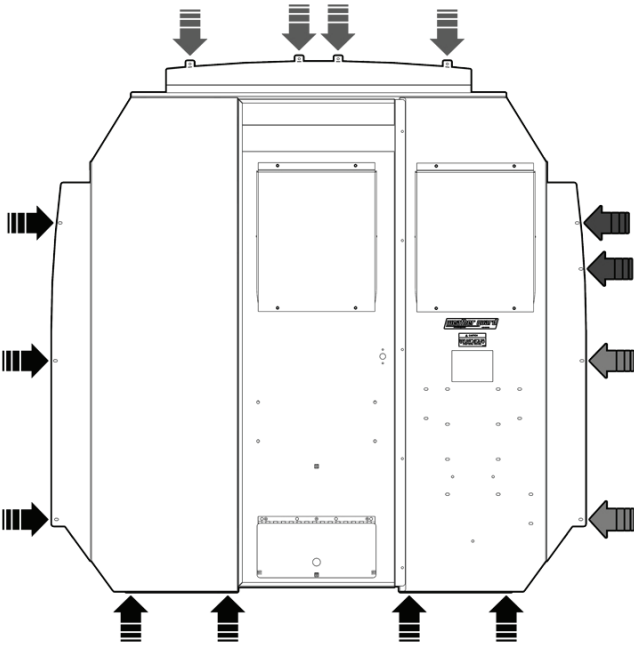
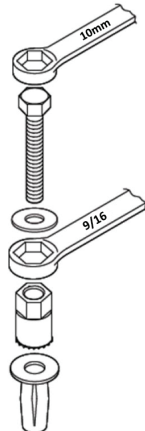


FIGURE 3. Mid/High Roof Bulkhead

BLIND FASTENER INSTALLATION

Place a drop of oil on the 50mm black oxide bolt before assembling as shown. Place the Blind Fastener in the hole and use a 10mm wrench to tighten black hex bolt until the Blind Fastener is fully seated. When setting black hex bolt, it will start out hard. As the Blind Fastener “bulbs” out it will get easier, until it bottoms out or sets. Make sure the Blind Fastener and Installation Tool do not turn during installation.



STEP 5.

Place the Bulkhead against the B-Pillar. Using a center punch, mark the four bottom mounting holes on the floor of the van. Ensure the holes are located on the topside of the floor rib. Move the Bulkhead out of the way. Cut holes on the floor mat using the 1” hole saw. Drill a pilot hole using a 1/8” drill bit, then re-drill the hole with a 3/8” drill bit. Install the blind fasteners as instructed below.

STEP 6.

FOR LOW ROOF BULKHEADS: With the Bulkhead against the B-pillar trim, use a marker or pencil and mark the five holes on the DS and PS panels. Cut the B-pillar trim using a 1” hole saw. Drill pilot holes with a 1/8” drill bit. Re-drill the holes with a 3/8” drill bit. Install three blind fasteners on the DS and two on the PS B-pillar (FIGURE 2).

FOR MID AND HIGH ROOF BULKHEADS: Uninstall the two M6 bolts that hold the grab handle on the PS B-pillar. Place the Bulkhead against the B-pillars to locate the holes and weld-nuts to be used. Drill the three existing holes on the DS B-pillar with a 3/8” drill bit to allow easier blind fastener installation. Install three blind fasteners on the DS side B-pillar (FIGURE 3).

STEP 7.

Place four 1/2” spacers on the floor mounted blind fasteners and reposition the Bulkhead against the B-pillar. Use a marker or pencil to mark where the header panel intersects the roof reinforcement along the B-pillars. Drill pilot holes using 1/8” drill bit.

STEP 8.

FOR LOW ROOF BULKHEADS: Re-position the Bulkhead and install using five 3/8” spacers between the Bulkhead and the B-pillars. Use 1/2” spacers for the floor. Use nine M6-1.0 x 30mm bolts on all of the blind fasteners and two M6 self-drilling screws for the header panel.

FOR MID AND HIGH ROOF BULKHEADS: Re-position the Bulkhead and install using M6-1.0 x 16mm bolts on DS blind fasteners and PS weld-nuts. Use 1/2” spacers for the floor and use M6-1.0 x 30mm bolts for the floor mount and four M6 self-drilling screws for the header panel.

STEP 9. Re-check all fasteners and tighten them.

WARNING

This product can reduce the driver's ability to clearly see roadways, vehicular or pedestrian traffic and other objects through the rear and side windows of the vehicle, which can cause an accident. Extra precautions should be taken when driving a vehicle with this product. Make all adjustments necessary to ensure maximum visibility, including but not limited to, changing mirror and seating positions. State and local laws may prohibit obstruction of windows in a moving vehicle.

These instructions are to be followed using the parts and fasteners supplied for proper installation. Any modifications or improper installation of this product will create a hazardous condition that could result in death, serious personal injury and/or property damage.

CAUTION

Prior to drilling, so as not to cut electric wires, fuel lines, brake lines, etc., check behind and underneath drilling and mounting locations. To keep debris out of your eyes when checking the underside of the vehicle, or when drilling, always wear protective eye wear. Failure to heed this warning will result in death or serious injury.

– NOTICE –

Any modification or unintended use of this product shall immediately void all manufacturers warranties. Manufacturer disclaims all liability for injuries to persons or property resulting from any modification to, or unintended use of this product.

WERNER CO. LIMITED LIFETIME WARRANTY FOR WEATHER GUARD® PRODUCTS

WEATHER GUARD® Products — Limited Lifetime Warranty
(Purchased on or after 1/1/2009)

Werner Co. (the "Manufacturer") warrants to the original purchaser only that WEATHER GUARD® Truck and Van Products (the "WEATHER GUARD® Product") will be free from defects in material and workmanship from the date of purchase and continuing for the expected lifetime of the WEATHER GUARD® Product. A copy of the original sales receipt must be supplied to the Manufacturer at the time a warranty claim is made. This warranty terminates if the original purchaser transfers the WEATHER GUARD® Product to any other person.

What is Covered

All WEATHER GUARD® Products identified above that are purchased on or after January 1, 2009.

What We Will Do to Correct Problems

Subject to the limitations and exclusions described in this limited warranty, the Manufacturer will remedy defects in materials or workmanship by providing one of the following remedies at its option and without charge to the original purchaser for parts or labor: (a) repairing the defective portion of the WEATHER GUARD® Product or (b) replacing the entire WEATHER GUARD® Product. In addition, the manufacturer may elect at its option, not to repair or replace the WEATHER GUARD® Product, but rather issue to the original purchaser a refund equal to the purchase price paid for the WEATHER GUARD® Product or a credit to be used toward the purchase of new WEATHER GUARD® Product.

What is Not Covered

This limited warranty expressly excludes:

- Defects caused by normal wear and tear, cosmetic rust, scratches, accidents, unlawful vehicle operation, or modification to the product, or any types or repair of a WEATHER GUARD® Product other than those authorized or provided by the Manufacturer.
- Defects resulting from conditions beyond the Manufacturer's control including, but not limited to misuse, overloading, or failure to assemble, mount or use the WEATHER GUARD® Product in accordance with the Manufacturer's written instructions or guidelines included with the WEATHER GUARD® Product or made available to the original purchaser.
- Damage to the contents of the box or vehicle.
- TO THE EXTENT PERMITTED BY LAW, IN NO EVENT SHALL THE MANUFACTURER BE LIABLE FOR ANY INCIDENTAL, SPECIAL, INDIRECT, OR CONSEQUENTIAL DAMAGES, INCLUDING ANY ECONOMIC LOSS, WHETHER RESULTING FROM NONPERFORMANCE, USE, MISUSE OR INABILITY TO USE THE WEATHER GUARD® PRODUCT OR THE MANUFACTURER'S NEGLIGENCE.

No Other Express Warranty Applies

This Limited Lifetime Warranty is the sole and exclusive warranty for WEATHER GUARD® products. No employee, agent, dealer, or other person is authorized to alter this warranty or make any other warranty on behalf of Werner Co.

Notification Procedures

If the WEATHER GUARD® Product does not conform with the terms of this limited warranty, the original owner must promptly notify the Manufacturer in writing upon discovery of the nonconformity. In order to receive the remedies under this limited warranty, the warranty claim must describe the nature of the nonconformity, and a copy of the original sales receipt, invoice, bill or other proof of purchase must accompany the claim. Repairs or modifications made to the WEATHER GUARD® Product by other than the Manufacturer or its authorized agent will nullify this limited warranty. Coverage under this limited warranty is conditioned at all times upon the owner's compliance with these required notification and repair procedures. Warranty claims must include reciprocal contact information and may be made via certified mail to:

WERNER CO.

ATTN: Weather Guard® Warranty Claims
555 Pierce Road, STE 300 • Itasca, IL 60143 USA

weatherguard.com

If you have any questions, please call toll free at 1-800-456-7865

