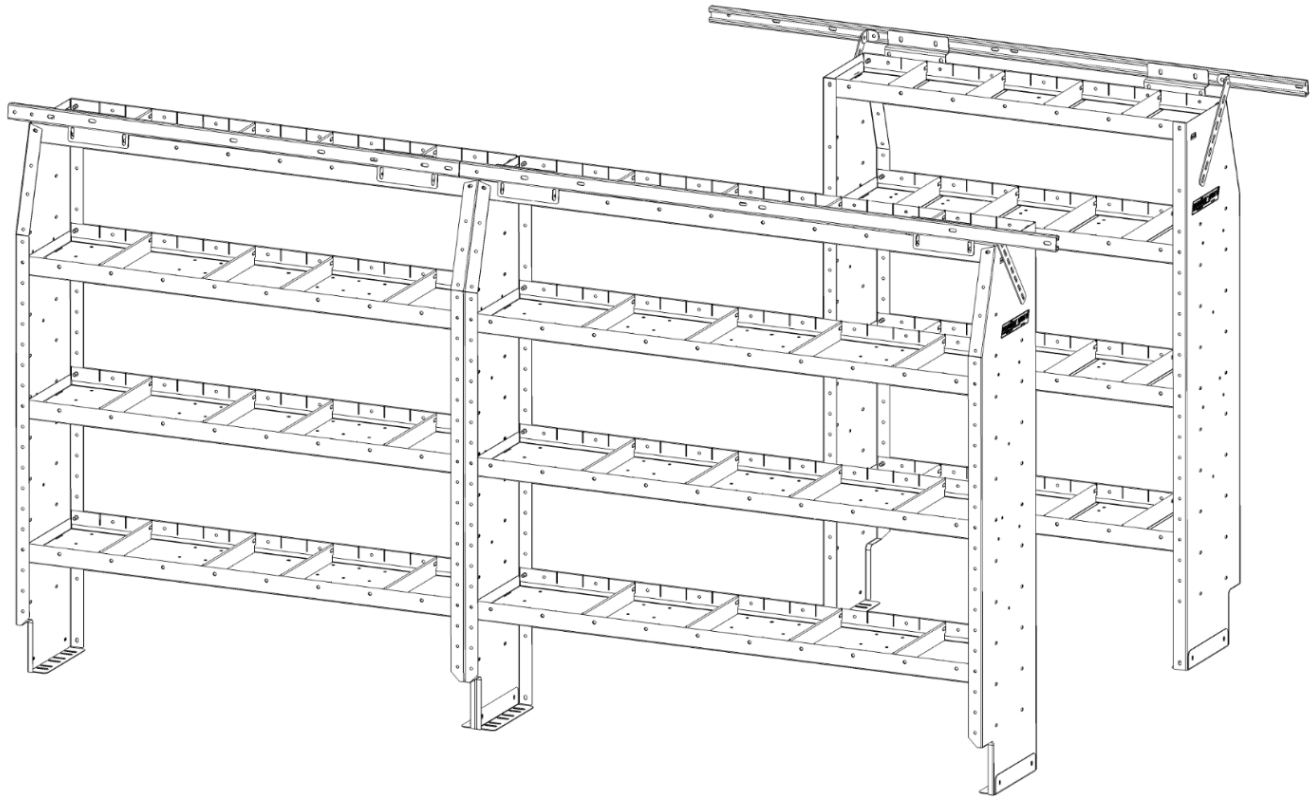




VAN STORAGE SOLUTIONS

**INSTALLATION INSTRUCTIONS for
FORD TRANSIT MID/HIGH ROOF
SHELVING MOUNTING KIT**



Weather Guard / WERNER CO.
420 E. Terra Cotta Ave.
Crystal Lake, IL 60014 USA

800-456-7865 (Toll Free)
800-334-2981 (Fax)

Weather Guard / WERNER CO.
9133 Leslie St. Unit 105
Richmond Hill, ON L4B4N1

888-562-2251 (Toll Free)
888-456-8460 (Fax)

**ATTENTION: PLEASE READ AND UNDERSTAND ALL INSTRUCTIONS AND WARNINGS
BEFORE ASSEMBLING, INSTALLING OR USING THIS PRODUCT.**



PLAN YOUR VAN (TIPS FOR FASTER INSTALLATION)

FOR ELECTRIC VEHICLES – Drilling into electrical wiring may damage vehicle systems and may cause bodily harm. This equipment should be installed by qualified personnel familiar with this type of vehicle and the hazards involved. To prevent damage to components underneath the floor, mainly the battery and high voltage system components, refer to your vehicle manufacturer’s instructions or the manufacturer’s website for more information."

- Follow these instructions to install your WEATHER GUARD® van shelving inside a Ford Transit mid or high roof van.
- Using this mounting kit you will be able to install the van shelving using factory installed weld nuts and mounting holes.
- Take into consideration any REDZONE end panel mounting accessories to be used and the desired location. The shelves can be easily adjusted.

HARDWARE KIT

Description	Quantity
Mounting Plate	20
1/4"-20 x 3/4" Bolt	16
5/16"-18 x 1" Carriage Bolt	20
1/4"-20 Nylon Lock Nut	16
5/16"-18 Nylon Lock Nut	20
1/4" Washer	16
3/8" Spacer	12
3/4" Spacer	12
Blind Fastener Install Tool	1
1/4"-20 x 2-1/4" Bolt	12
5/16" Washer	37
M8-1.25 x 35mm Socket Cap Screw	17
M8-1.25 Blind Fastener	7
M-8-1.25 x 55mm Bolt	1

TOOLS REQUIRED

- | | |
|------------------|----------------|
| 5mm Allen Wrench | Electric drill |
| 7/16" Socket | Center punch |
| 7/16" Wrench | Hammer |
| 1/2" Socket | 1/4" drill bit |
| 1/2" Wrench | 3/8" drill bit |
| 9/16" Wrench | 1/2" drill bit |
| Level | Torque wrench |
| Marker | 1" hole saw |

CAUTION

Be safe—always wear protective eyewear to keep debris out of your eyes when installing WEATHER GUARD® van products.

PARTS LIST

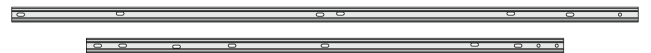
975103-3-01 130" WB Mid Roof Transit

Description	Quantity
Bracket (common)	6
Rear Mounting Channel (51.375")	2
Front Mounting Channel (52.5")	1



975104-3-01 148" WB Mid/High Roof Transit

Description	Quantity
Bracket (common)	6
Rear Mounting Channel (68.925")	2
Front Mounting Channel (52.5")	1



975105-3-01 148" EXT WB High Roof Transit

Description	Quantity
Bracket (common)	8
Rear Mounting Channel (97.375")	2
Front Mounting Channel (52.5")	1

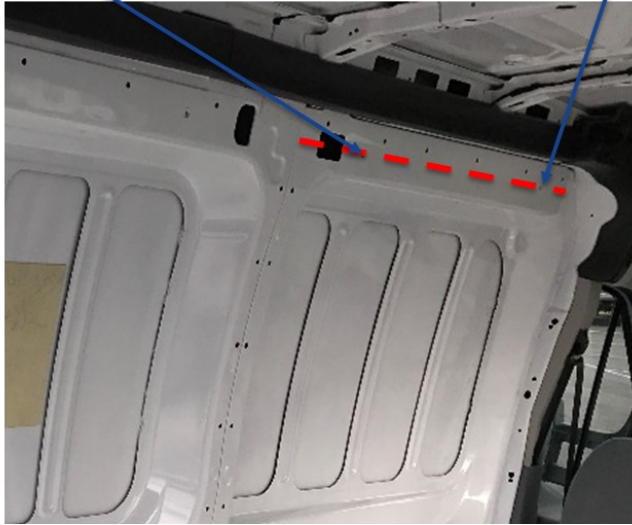
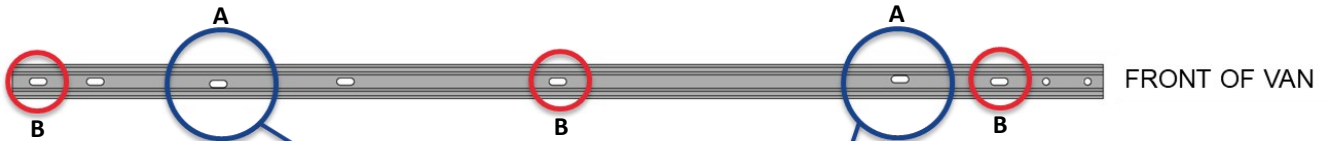


* Images not to scale.

MOUNTING KIT ASSEMBLY AND INSTALLATION INSTRUCTIONS

- The mounting channels will bolt to the upper inside wall of the van using a combination of factory installed weld nuts and blind fasteners.
- Front mounting channel (driver side) is common across all Transit models.
- Rear mounting channels install similarly but have different lengths and weld nut locations.
- The Weather Guard Van Installation Kit is compatible with OEM interior trim kit. Remove upper row of panels prior to installation of the mounting channels.

STEP 1. Mount Front (driver side) channel. *Note: Front channel is common on all wheelbase mounting kits.



- Using two M8 bolts and washers, attach the mounting channel to the van using a 5mm Allen wrench through **A** slots. Do not completely tighten.
- Mark the locations for blind fasteners. (**B** slots)

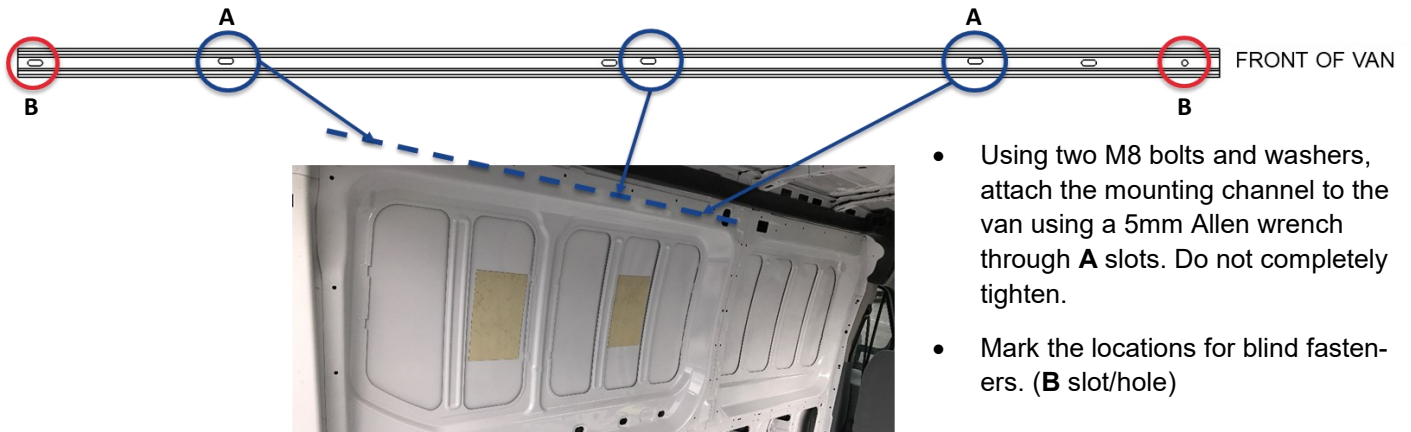
STEP 2a. Mount Rear (driver side) channel for **130" wheelbase mid/high roof (975103-3-01)**.



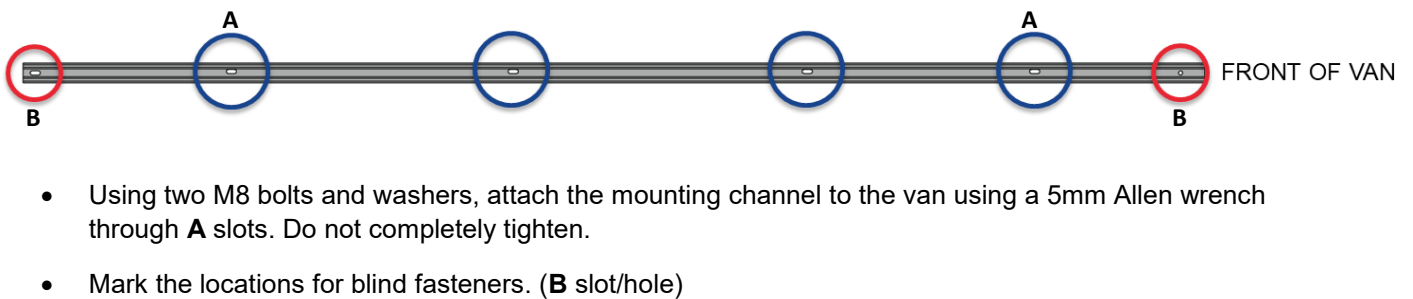
- Using two M8 bolts and washers, attach the mounting channel to the van using a 5mm Allen wrench through **A** slots. Do not completely tighten.
- Mark the locations for blind fasteners. (**B** slot/hole)

MOUNTING KIT ASSEMBLY AND INSTALLATION INSTRUCTIONS

STEP 2b. Mount Rear (driver side) channel for 148" wheelbase mid/high roof (975104-3-01).



STEP 2c. Mount Rear (driver side) channel for 148" extended wheelbase high roof (975105-3-01).



STEP 3. Mount passenger side channels (same channel used in STEP 2a, 2b, 2c). The end with a hole remains the front of the channel for the passenger side. The same slots are used for M8-1.25 bolts and for marking blind fastener location.

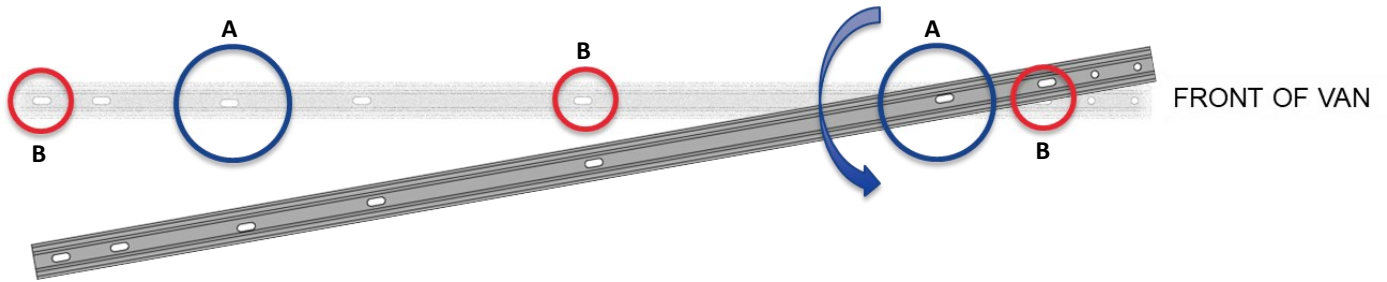


- 130" wheelbase passenger side shown.
- Using M8 bolts and washers, attach the mounting channel to the van using a 5mm Allen wrench through **A** slots. Do not completely tighten.
- Mark the locations for blind fasteners. (**B** slot/hole)



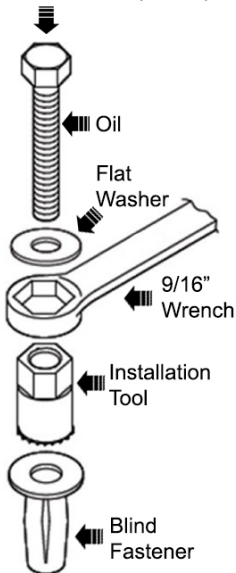
MOUNTING KIT ASSEMBLY AND INSTALLATION INSTRUCTIONS

STEP 4. Install blind fasteners in **B** slots/hole.



- Remove all but the front-most M8 bolt and tighten the front-most M8 bolt such that the channel can rotate and stay in position to expose the previously marked points for blind fasteners.
- Use the center punch and hammer to make a register mark for your drill bit.
- Before drilling for blind fasteners, check to make sure you won't be damaging wiring, gas lines, or other critical vehicle systems.
- Too much pressure while drilling or setting the blind fasteners may cause dimples in the body panel around the install location.
- Use 1/4" drill bit to make pilot holes.
- Use 1/2" drill bit on pilot holes for blind fastener.
- Install blind fasteners using procedure shown below.

Use 13mm socket (M8)
or 7/16" socket (1/4-20)



INSTALLATION PROCEDURE USING BLIND FASTENERS

Place a drop of oil on the M8-1.25 x 55mm or 1/4-20 x bolt before assembling as shown on left.

Place the Blind Fastener in the hole and use a 13mm when installing M8 Blind Fastener or 7/16" socket when installing 1/4-20 Blind Fastener and driver to tighten the bolt until the Blind Fastener is fully seated.

When setting the bolt, it will start out tight. As the Blind Fastener "bulbs" out it will get easier, until it bottoms out of sets.

Make sure the Blind Fastener and the installation tool do not slip during the installation.

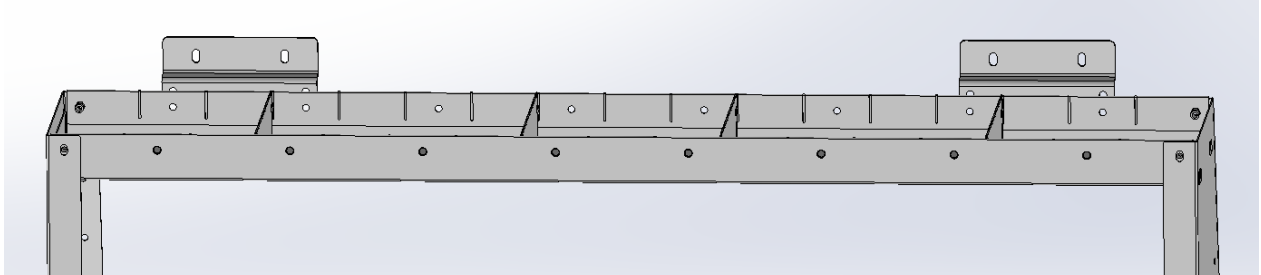
MOUNTING KIT ASSEMBLY AND INSTALLATION INSTRUCTIONS

- Optional.** For vans equipped with OEM interior panels, remove the mounting channel, install M8 bolts flush to van wall. Place the interior panels over the bolts by installing OEM plastic fasteners on upper corners to hold them in place. Firmly press where the bolt heads are located to indent the OEM panels. Remove the panels and make 1/2" holes on marked points. Remove the M8 bolts. Reinstall OEM panels.
- STEP 5.** Secure mounting channels to the factory weld nuts and blind fasteners using 5mm Allen head bolts and washers. Level the channels before tightening them down. Torque to 20 ft-lbs.
- STEP 6.** Position pre-assembled shelving (minus mounting feet) inside the van. Plan out positioning of the shelves and accessories relative to bulkhead and wheel well.



MOUNTING KIT ASSEMBLY AND INSTALLATION INSTRUCTIONS

- STEP 7.** Assemble two mounting brackets to the back of the top shelf lip on outer-most position shown below using two 1/4-20 x 3/4" bolts, washers, and nylon lock nuts. Use 3/4" and 3/8" spacers with 1/4-20 x 2-1/2" bolts when the end panel interferes with the C-pillar on the driver side. Do not torque them down at this point.

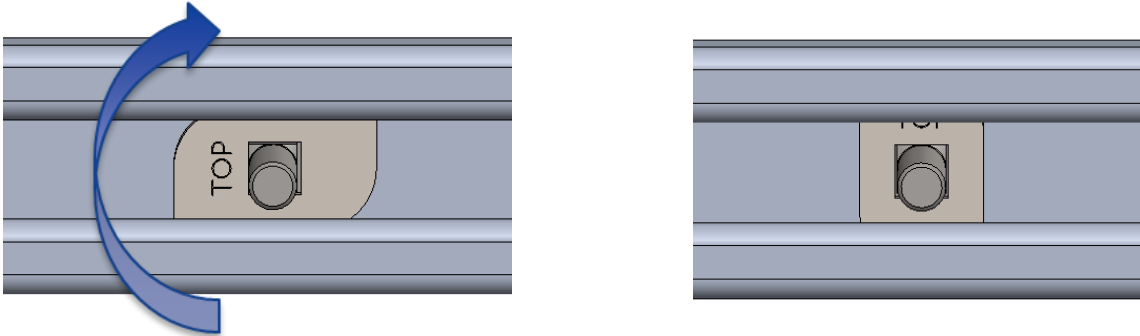


- STEP 8.** Position the carriage bolt plate such that you can read the word "TOP" and insert 5/16-18 carriage bolt from the bottom of the plate. Note: using a piece of masking tape (or equivalent) on back of the plate to lightly hold the carriage bolt to the plate may allow easier installation. You will need four plates per shelving unit plus two for each side (driver/passenger) for the end straps.



MOUNTING KIT ASSEMBLY AND INSTALLATION INSTRUCTIONS

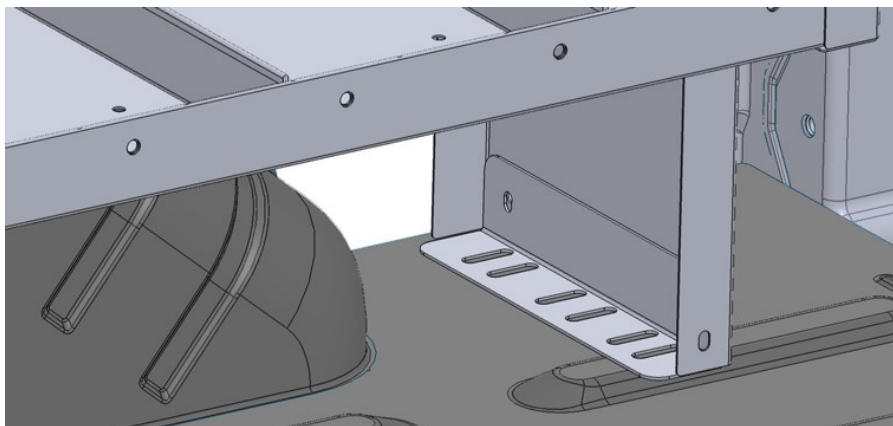
- STEP 9.** Insert the carriage bolt/plate assemblies through the mounting channel and rotate 90 degrees clockwise. Ten will be used on driver side and six will be used on passenger side when installing standard configuration of two and one shelving for driver side and passenger side, respectively. Note: 148" EXT Vans use three shelves on the driver side, thus, will require 14 carriage bolts/plates on driver side.



- STEP 10.** Position the shelves and carriage bolts/plates in desired location and fasten the shelves to the carriage bolt/plate using 5/16-18 nylon lock nuts and washers using 1/2" socket. Fine tune the position and alignment of the shelves in desired location. Torque them down to 13 ft-lbs.



- STEP 11.** The hardware from the shelf unit is used to mount the shelf to the floor. Place the mounting foot to the inside of the end panel and mark drilling points. Use a spacer when mounting on uneven surface as shown below. If the van is equipped with floor mats or has a composite floor, use a 1" hole saw to open a hole for the spacer and mounting hole. Use a 1/4" drill bit for pilot and 3/8" drill for 1/4-20 blind fasteners. Install 1/4-20 blind fasteners on the floor. Refer to blind fastener instruction on page 5. **Always be sure to make sure you won't be damaging wiring, gas lines, or other critical vehicle systems when drilling.**



MOUNTING KIT ASSEMBLY AND INSTALLATION INSTRUCTIONS

STEP 12. Slip the mounting foot from the other side of the end panel and install using 1/4-20 x 3/4" bolts, washers, and nylon lock nuts. Install to floor blind fasteners using 1/4-20 x 1-1/2" bolts. Repeat steps 11 and 12 until all mounting feet are installed. Note that you only need to use one mounting foot where the driver side shelves join.



STEP 13. Torque down the 1/4-20 x 3/4" bolts, washers, and nylon lock nuts installed in **STEP 7** to 76 in-lbs.



MOUNTING KIT ASSEMBLY AND INSTALLATION INSTRUCTIONS

- STEP 14.** Loosely assemble L-bracket for the end straps to the carriage bolt/plate assembled in **STEP 8**. L-brackets and end straps are included with the shelf. Use washer and 5/16-18 nylon lock nut using 1/2" socket. The face of the L-bracket that is perpendicular to the mounting channel may face front or rear of the van depending on the shelf size and configuration.



- STEP 15.** Install the end strap to the L-bracket using 1/4-20 x 3/4" bolt, washer, and nylon lock nut using 7/16" wrench and socket. Position the strap such that it is inline with the end panel. Align the end strap to one of the holes on the end panel and secure it using 1/4-20 x 3/4" bolt, washer, and nylon lock nut. Make sure all components are aligned and tighten.



- STEP 16.** Make sure all shelves are aligned and make sure all bolts and nuts are properly torqued to spec. use 76 in-lbs for 1/4-20 hardware and 13 ft-lbs for 5/16-18 hardware.

WARNING

This product is only intended and safe for use in storing and transporting small tools, equipment and other similar materials. These instructions are to be followed using the parts and fasteners supplied for proper installation. Any modifications or improper installation of this product will create a hazardous condition that could result in death, serious personal injury and/or property damage.

All floor mounting bolts near the fuel tank area should be installed from the underside of the vehicle, to guard against the fuel tank being punctured in the event of a collision. This would mean not using Blind Fasteners in this area. Holes in this area should be 5/16". Ensure ample space in roof ribs and sidewall ribs for mounting screws so as not to puncture exterior roof or wall.

Do not install this product where it could interfere with deployment of air bags. Failure to comply could result in death or serious body injury.

- NOTICE -

Any modification or unintended use of this product shall immediately void all manufacturers warranties. Manufacturer disclaims all liability for injuries to persons or property resulting from any modification to, or unintended use of this product.

WERNER CO. LIMITED LIFETIME WARRANTY FOR WEATHER GUARD® PRODUCTS

WEATHER GUARD® Products — Limited Lifetime Warranty (Purchased on or after 1/1/2009)

WERNER CO. (the "Manufacturer") warrants to the original purchaser only that WEATHER GUARD® Truck and Van Products (the "WEATHER GUARD® Product") will be free from defects in material and workmanship from the date of purchase and continuing for the expected lifetime of the WEATHER GUARD® Product. A copy of the original sales receipt must be supplied to the Manufacturer at the time a warranty claim is made. This warranty terminates if the original purchaser transfers the WEATHER GUARD® Product to any other person.

What is Covered

All WEATHER GUARD® Products identified above that are purchased on or after January 1, 2009.

What We Will Do to Correct Problems

Subject to the limitations and exclusions described in this limited warranty, the Manufacturer will remedy defects in materials or workmanship by providing one of the following remedies at its option and without charge to the original purchaser for parts or labor: (a) repairing the defective portion of the WEATHER GUARD® Product or (b) replacing the entire WEATHER GUARD® Product. In addition, the manufacturer may elect at its option, not to repair or replace the WEATHER GUARD® Product, but rather issue to the original purchaser a refund equal to the purchase price paid for the WEATHER GUARD® Product or a credit to be used toward the purchase of new WEATHER GUARD® Product.

What is Not Covered

This limited warranty expressly excludes:

- Defects caused by normal wear and tear, cosmetic rust, scratches, accidents, unlawful vehicle operation, or modification to the product, or any types or repair of a WEATHER GUARD® Product other than those authorized or provided by the Manufacturer.
- Defects resulting from conditions beyond the Manufacturer's control including, but not limited to misuse, overloading, or failure to assemble, mount or use the WEATHER GUARD® Product in accordance with the Manufacturer's written instructions or guidelines included with the WEATHER GUARD® Product or made available to the original purchaser.
- Damage to the contents of the box or vehicle.
- TO THE EXTENT PERMITTED BY LAW, IN NO EVENT SHALL THE MANUFACTURER BE LIABLE FOR ANY INCIDENTAL, SPECIAL, INDIRECT, OR CONSEQUENTIAL DAMAGES, INCLUDING ANY ECONOMIC LOSS, WHETHER RESULTING FROM NON-PERFORMANCE, USE, MISUSE OR INABILITY TO USE THE WEATHER GUARD® PRODUCT OR THE MANUFACTURER'S NEGLIGENCE.

No Other Express Warranty Applies

This Limited Lifetime Warranty is the sole and exclusive warranty for WEATHER GUARD® Products. No employee, agent, dealer, or other person is authorized to alter this warranty or make any other warranty on behalf of WERNER CO.

Notification Procedures

If the WEATHER GUARD® Product does not conform with the terms of this limited warranty, the original owner must promptly notify the Manufacturer in writing upon discovery of the nonconformity. In order to receive the remedies under this limited warranty, the warranty claim must describe the nature of the nonconformity, and a copy of the original sales receipt, invoice, bill or other proof of purchase must accompany the claim. Repairs or modifications made to the WEATHER GUARD® Product by other than the Manufacturer or its authorized agent will nullify this limited warranty. Coverage under this limited warranty is conditioned at all times upon the owner's compliance with these required notification and repair procedures. Warranty claims must include reciprocal contact information and may be made via certified mail to:

WERNER CO.

ATTN: Weather Guard® Warranty Claims
555 Pierce Road, STE 300, Itasca, IL 60143 USA

weatherguard.com

If you have any questions, please call toll free at 1-800-456-7865