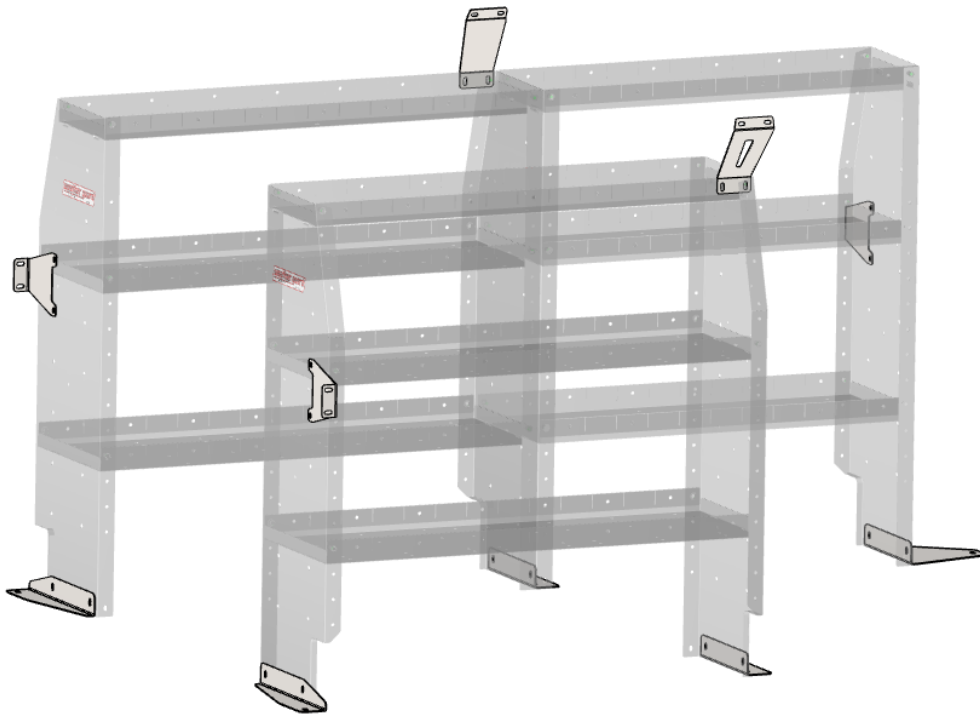




VAN STORAGE SOLUTIONS

ASSEMBLY and INSTALLATION INSTRUCTIONS
for METRIS SHELVING MOUNTING KIT



Weather Guard / Werner Co.
420 E. Terra Cotta Ave.
Crystal Lake, IL 60014 USA

800-456-7865 (Toll Free)
800-334-2981 (Fax)

Weather Guard / Werner Co.
9133 Leslie St. Unit 105
Richmond Hill, ON L4B4N1

888-562-2251 (Toll Free)
888-456-8460 (Fax)

ATTENTION: PLEASE READ AND UNDERSTAND ALL INSTRUCTIONS AND WARNINGS BEFORE ASSEMBLING, INSTALLING OR USING THIS PRODUCT.

FOR ELECTRIC VEHICLES – Drilling into electrical wiring may damage vehicle systems and may cause bodily harm. This equipment should be installed by qualified personnel familiar with this type of vehicle and the hazards involved. To prevent damage to components underneath the floor, mainly the battery and high voltage system components, refer to your vehicle manufacturer’s instructions or the manufacturer’s website for more information.

PLAN YOUR VAN (TIPS FOR FASTER INSTALLATION)

- Follow these instructions to install your WEATHER GUARD® van shelving inside a Mercedes Metris van.
- Using these mounting brackets you will be able to install the van shelving using pre-existing weld nuts and mounting holes.
- Take into consideration any REDZONE end panel mounting accessories to be used and the desired location. The shelves can be easily adjusted.
- Before drilling for the blind fasteners, check for electrical wiring and air-bag system components.

HARDWARE KIT

Description	Quantity
M6-1.0 x 16 mm Hex Head Bolt	27
M6-1.0 Nylon Lock Nut	23
Flat Washer	23
M8-1.25 x 25 mm Hex Head Bolt	2
M8-1.25 x 40 mm Hex Head Bolt	5
Floor mounting spacer, 9.5 mm	1
Floor mounting spacer, 12.7 mm	4
M6-1.0 Blind Fastener	1
M6-1.0 x 50 mm Black Hex Bolt	1
Blind Fastener Install Tool	1

PARTS LIST

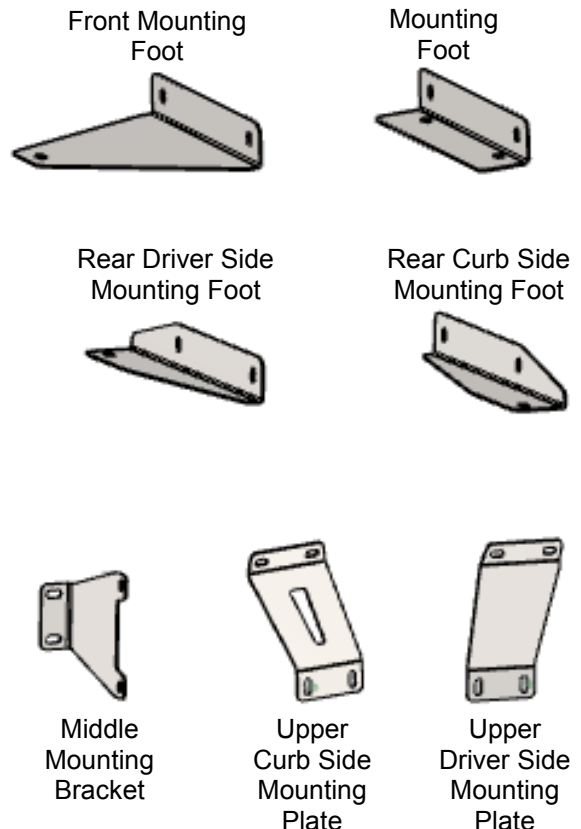
Description	Quantity
Front Mounting Foot	1
Mounting Foot	2
Rear Driver Side Mounting Foot	1
Rear Curb Side Mounting Foot	1
Panel Mounting Bracket	3
Upper Driver Side Mounting Plate	1
Upper Curb Side Mounting Plate	1

TOOLS REQUIRED

10 mm Socket
 10 mm Wrench
 13 mm Socket
 13 mm Wrench
 7/16" Socket
 7/16" Wrench
 9/16" Wrench
 Ratchet Driver
 Torque Wrench
 Marker

CAUTION

Be safe—always wear protective eyewear to keep debris out of your eyes when installing WEATHER GUARD® van products.



MOUNTING KIT ASSEMBLY AND INSTALLATION INSTRUCTIONS

Using these mounting brackets you will be able to install a 42" wide and a 36" wide van shelving unit on the driver side of a Mercedes Metris and a 42" wide van shelving unit on the curb side using pre-existing weld nuts and mounting holes. WEATHER GUARD® van shelving and accessories provide flexibility in customizing the storage space for the needs of tradesmen and professionals. WEATHER GUARD® accessories such as tank holders or cable reel holders can easily be substituted for the 36" wide shelf unit.

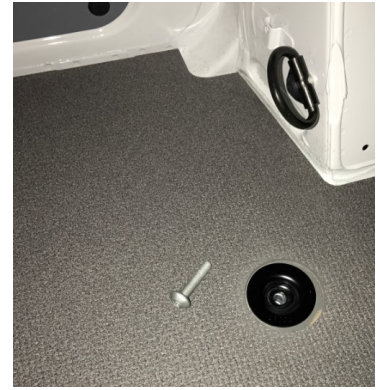
STEP 1. Remove the tie down hooks from the van floor.



Driver Side Rear



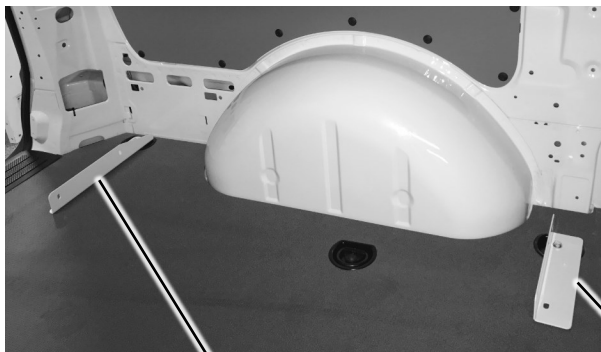
Driver Side Middle



Driver Side Front

STEP 2. Mount the five mounting feet to the van floor using the M8-1.25 x 40 mm bolts and floor spacers as shown. The front Mounting Foot uses the 9.5 mm spacer. The other four mounting feet use the thicker 12.7 mm spacers. Use the 13 mm socket and driver to loosely attach the mounting feet. **Do not completely tighten at this time, allowing the feet to pivot about the mounting bolt.**

Note: If you are installing something other than a 36" wide shelf unit next to the 42" wide shelf unit, do not install the Driver side Front Foot.



Rear Driver Side Mounting Foot



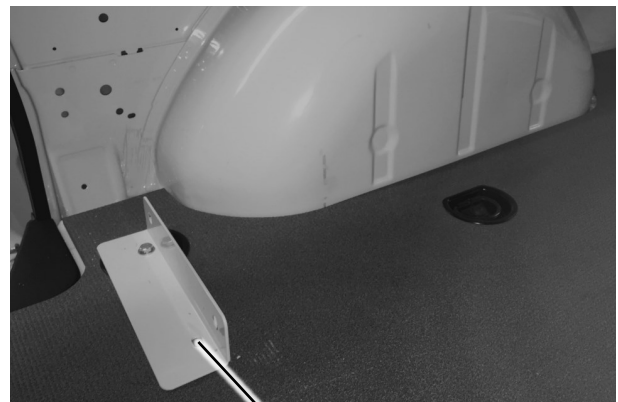
Mounting Foot (Driver Side)



Front Mounting Foot



Rear Curb Side Mounting Foot

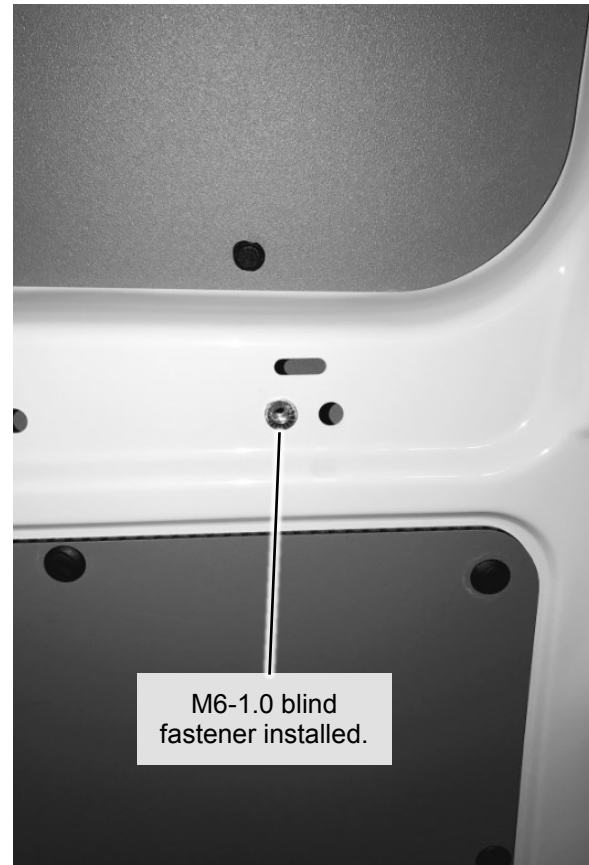
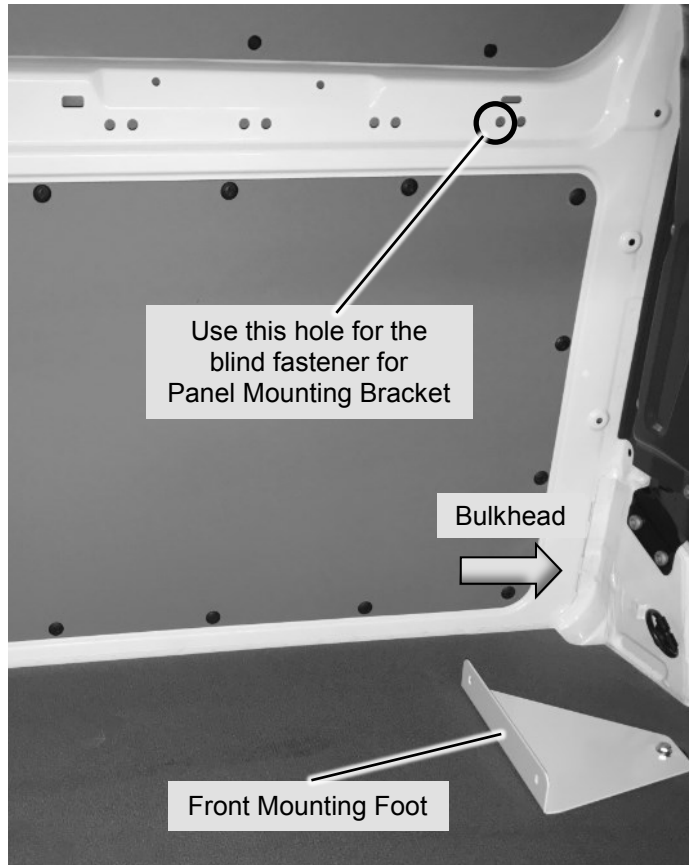


Mounting Foot (Curb Side)

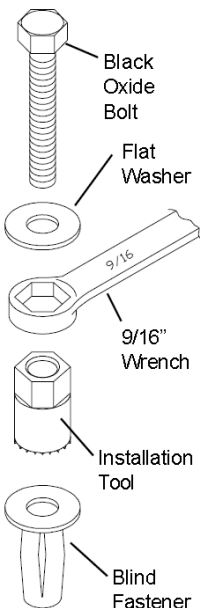
MOUNTING KIT ASSEMBLY AND INSTALLATION INSTRUCTIONS

STEP 3. The middle mounting bracket for a 36" wide shelf unit on the driver's side attaches to the van with a blind fastener. Referring to the picture below, locate the hole behind the bulkhead for the blind fastener. Follow the instructions below and install the M6 blind fastener in this hole.

If you are installing something other than a 36" wide shelf unit next to the 42" wide shelf unit, skip ahead to STEP 4. After installing the 42" wide shelf unit on the Drivers side, place your piece of equipment in this area and locate a mounting hole in this row that best aligns with the item to be installed.



INSTALLATION PROCEDURE USING BLIND FASTENERS



Place a drop of oil on the black oxide bolt before assembling as shown on right.

Place the Blind Fastener in the hole and use a 7/16" socket and driver to tighten the black hex bolt until the blind fastener is fully seated.

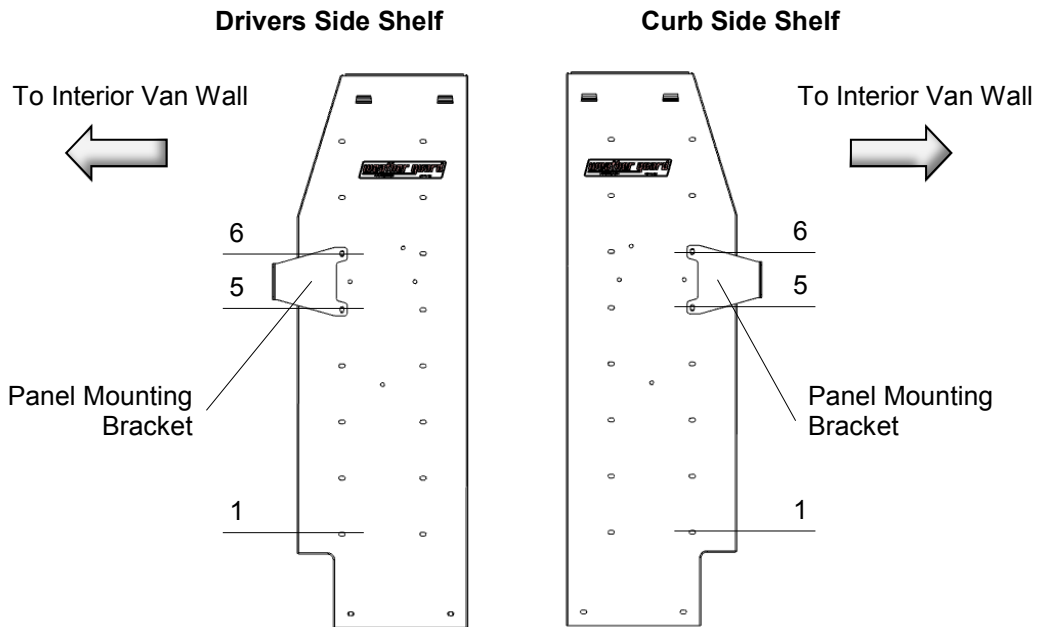
When setting black hex bolt, it will start out hard. As the Blind Fastener "bulbs" out it will get easier, until it bottoms out or sets.

Make sure the Blind Fastener and Installation Tool do not turn during installation.

Before drilling for blind fasteners, check to make sure you won't be damaging wiring, gas lines, brake lines or other critical vehicle systems.

Too much pressure while drilling or setting the blind fasteners may cause dimples in the body panel around the holes.

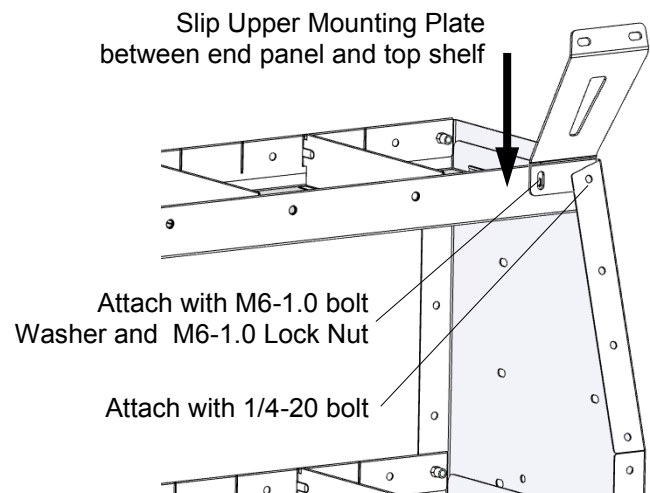
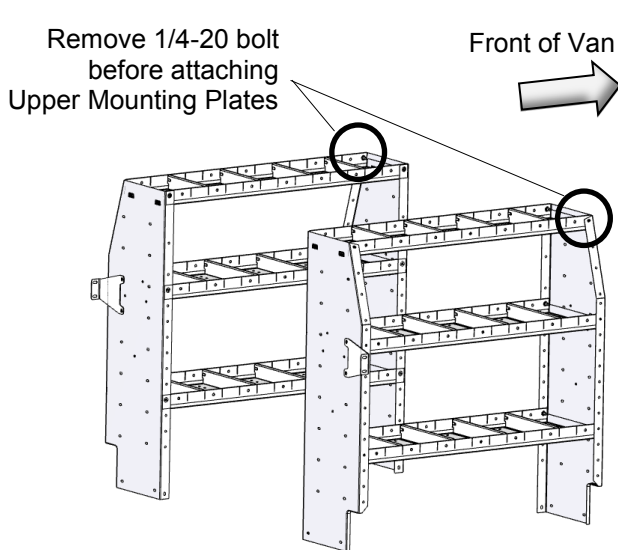
STEP 4. Beginning with the 42" wide shelf units, determine which shelf unit will be installed on the driver side and which will be on the curb side. Attach one Panel Mounting Bracket to each of the end panels of the 42" wide shelf units that will be facing the rear of the van. Using two M6-1.0 x 16 mm bolts, two flat washers, and two M6-1.0 lock nuts per bracket, install the bracket in the 5th and 6th accessory mounting holes from the bottom on the side of the shelf unit that will mount closest to the wall of the van.



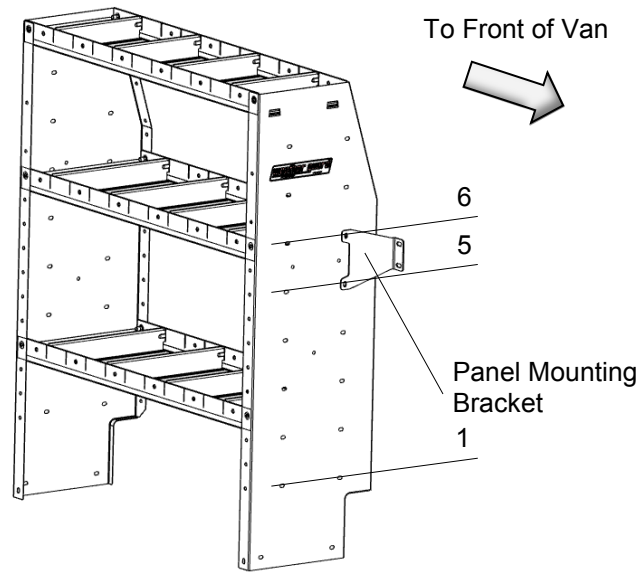
STEP 5. Attach the Upper Mounting Plates to the opposite end of the 42" wide shelf units that the Panel Mounting Bracket is attached. It is the side of the shelf unit closest to the front of the van.

Using the 7/16" socket and driver, remove and save the 1/4-20 bolts attaching the top shelf to the end panel closest to the front of the van. Remove the bolt on the side closest to the interior van wall, which is also the tapered side of the end panel. Only remove one bolt from each shelf unit.

Slip the Upper Mounting Plate between the end panel and the top shelf. The Upper Mounting Plates will angle away from the shelf unit and towards the interior van wall. The Curb Side Upper Mounting Plate has a triangle shaped slot in it. The Driver Side Upper Mounting Plate is solid. Reinstall the 1/4-20 bolt through the end panel and the Upper Mounting Plate and into the captive nut in the top shelf. Insert an M6-1.0x 16 mm bolt into the hole next to the one with the 1/4-20 bolt. Loosely install a flat washer and an M6-1.0 lock nut with the 10 mm socket and driver. Do not tighten at this time to allow for adjustment inside the van.



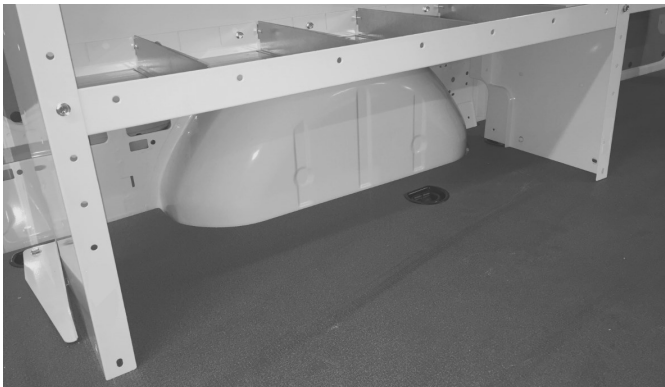
STEP 6. Using with the 36" wide shelf unit, attach one Panel Mounting Bracket to the end panel that will be facing the front of the van. Using two M6-1.0 x 16 mm bolts, two flat washers, and two M6-1.0 lock nuts, install the bracket in the 5th and 6th accessory mounting holes from the bottom on the side of the shelf unit that will mount closest to the wall of the van.



STEP 7. Starting on the Drivers side of the van, place the 36" wide shelf unit in the van with the right end panel against the Front Mounting Foot and the other mounting foot inside the left end panel. Using the 10 mm socket, a driver and the 10 mm wrench, loosely attach the right end panel to the Front Mounting Foot with two M6-1.0 x 16 mm bolts, two washers, and two M6-1.0 lock nuts.



STEP 8. Next, place the Driver Side 42" wide shelf unit in the van between the Rear Driver Side Mounting Foot and Left End Panel of the 36" wide shelf unit. Using the 10 mm socket, a driver and the 10 mm wrench, loosely attach the right end panel of the 42" wide shelf unit and the left end panel of the 36" wide shelf unit to the Mounting Foot with two M6-1.0 x 16 mm bolts, two washers, and two M6-1.0 lock nuts.



STEP 9. Attach the left end panel to the Rear Drivers Side Mounting Foot using the 10 mm socket, a driver and the 10 mm wrench, with two M6-1.0 x 16 mm bolts, two washers, and two M6-1.0 lock nuts.



STEP 9



STEP 10

STEP 10. Next, attach the Panel Mounting Bracket on the left end panel of the 42" wide shelf unit to the weld nut in the van with one M8-1.25 x 25 mm hex bolt. Using the 13 mm socket and a driver tighten the bolt to 13 ft-lbs.

STEP 11. Attach the Upper Mounting Plate to the two weld nuts in the van with two M6-1.0 x 16 mm hex bolts. Using the 10mm socket and a driver tighten the bolts to 10 ft-lbs.



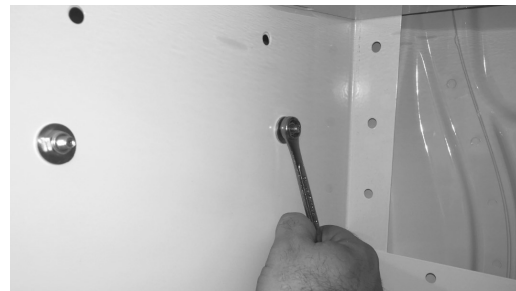
STEP 11



STEP 12

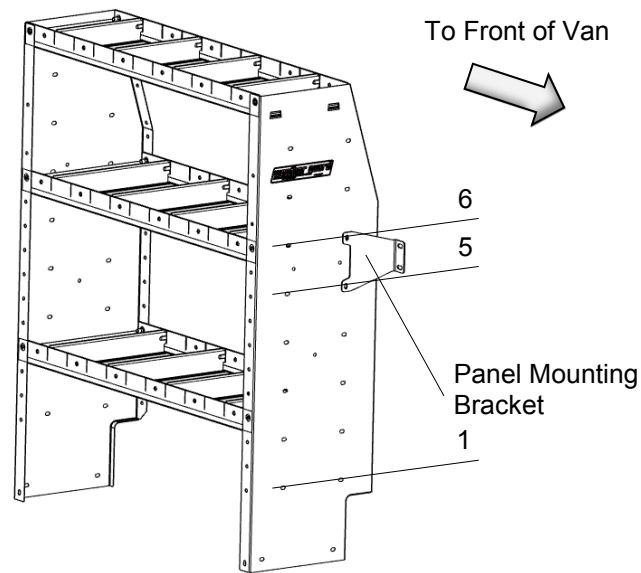
STEP 12. Attach the Panel Mounting Bracket on the right end panel of the 36" wide shelf to the M6 blind fastener installed in STEP 3 with an M6-1.0 x 16 mm hex bolt. Using the 10mm socket and a driver tighten the bolt to 10 ft-lbs.

STEP 13. Using the accessory mounting holes in the end panels, under the top shelf attach the right end panel of the 42" wide shelf unit to the left end panel of the 36" wide shelf unit with two M6-1.0 x 16 mm bolts, two washers, and two M6-1.0 lock nuts. Using the 10 mm socket, a driver and the 10 mm wrench tighten the nuts to 10 ft-lbs. Repeat under the middle shelf.



STEP 14. Check for shelf unit alignment and straightness and after making any adjustments, tighten the M6-1.0 bolts and lock nuts on the three mounting feet to 10 ft-lbs. using the 10 mm socket, a driver and the 10 mm wrench. Then using the 13 mm socket and a driver, tighten the M8-1.25 bolts to 13 ft-lbs.

- STEP 6.** Using with the 36" wide shelf unit, attach one Panel Mounting Bracket to the end panel that will be facing the front of the van. Using two M6-1.0 x 16 mm bolts, two flat washers, and two M6-1.0 lock nuts, install the bracket in the 5th and 6th accessory mounting holes from the bottom on the side of the shelf unit that will mount closest to the wall of the van.



- STEP 7.** Starting on the Drivers side of the van, place the 36" wide shelf unit in the van with the right end panel against the Front Mounting Foot and the other mounting foot inside the left end panel. Using the 10 mm socket, a driver and the 10 mm wrench, loosely attach the right end panel to the Front Mounting Foot with two M6-1.0 x 16 mm bolts, two washers, and two M6-1.0 lock nuts.
- STEP 8.** Next, place the Driver Side 42" wide shelf unit in the van between the Rear Driver Side Mounting Foot and Left End Panel of the 36" wide shelf unit. Using the 10 mm socket, a driver and the 10 mm wrench, loosely attach the right end panel of the 42" wide shelf unit and the left end panel of the 36" wide shelf unit to the Mounting Foot with two M6-1.0 x 16 mm bolts, two washers, and two M6-1.0 lock nuts.
- STEP 9.** Attach the left end panel to the Rear Drivers Side Mounting Foot using the 10 mm socket, a driver and the 10 mm wrench, with two M6-1.0 x 16 mm bolts, two washers, and two M6-1.0 lock nuts.
- STEP 10.** Next, attach the Panel Mounting Bracket on the left end panel of the 42" wide shelf unit to the weld nut in the van with one M8-1.25 x 25 mm hex bolt. Using the 13 mm socket and a driver tighten the bolt to 13 ft-lbs.
- STEP 11.** Attach the Upper Mounting Plate to the two weld nuts in the van with two M6-1.0 x 16 mm hex bolts. Using the 10mm socket and a driver tighten the bolts to 10 ft-lbs.
- STEP 12.** Attach the Panel Mounting Bracket on the right end panel of the 36" wide shelf to the M6 blind fastener installed in STEP 3 with an M6-1.0 x 16 mm hex bolt. Using the 10mm socket and a driver tighten the bolt to 10 ft-lbs.
- STEP 13.** Check for shelf unit alignment and straightness and after making any adjustments, tighten the M6-1.0 bolts and lock nuts on the three mounting feet to 10 ft-lbs. using the 10 mm socket, a driver and the 10 mm wrench. Then using the 13 mm socket and a driver, tighten the M8-1.25 bolts to 13 ft-lbs.

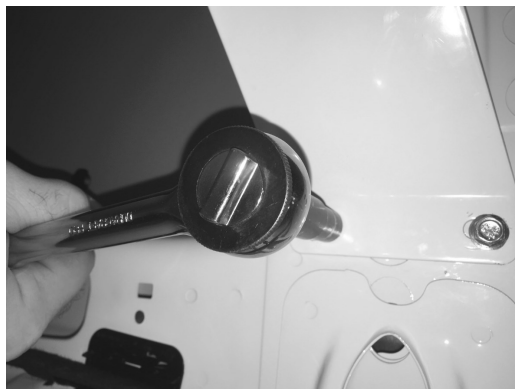
STEP 14. Next, on the Curb side place the remaining 42" wide shelf unit in the van between the Rear Curb Side Mounting Foot and Mounting Foot. Using the 10 mm socket, a driver and the 10 mm wrench, loosely attach the left end panel of the 42" wide shelf unit to the Mounting Foot with two M6-1.0 x 16 mm bolts, two washers, and two M6-1.0 lock nuts. Then loosely attach the right end panel of the 42" wide shelf unit to the Rear Curb Side Mounting Foot with two M6-1.0 x 16 mm bolts, two washers, and two M6-1.0 lock nuts.



STEP 15. Next, attach the Panel Mounting Bracket on the right end panel of the 42" wide shelf unit to the weld nut in the van with one M8-1.25 x 25 mm hex bolt. Using the 13 mm socket and a driver tighten the bolt to 13 ft lbs.



STEP 16. Attach the Upper Mounting Plate to the two weld nuts in the van with two M6-1.0 x 16 mm hex bolts. Using the 10mm socket and a driver tighten the bolts to 10 ft lbs.



STEP 17. Check for shelf unit alignment and straightness and after making any adjustments, tighten the M6-1.0 bolts and lock nuts on the three mounting feet to 10 ft-lbs. using the 10 mm socket, a driver and the 10 mm wrench. Then using the 13 mm socket and a driver, tighten the M8-1.25 bolts to 13 ft-lbs.

STEP 18. Check that all fasteners are properly tightened. 1/4-20 and M6 bolts should be tightened to 10 ft-lbs. 5/16-18 and M8 bolts should be tightened to 13 ft lbs.

The installation of WEATHER GUARD® van shelving into the Metris is now complete.

⚠ WARNING

This product is only intended and safe for use in storing and transporting small tools, equipment and other similar materials. These instructions are to be followed using the parts and fasteners supplied for proper installation. Any modifications or improper installation of this product will create a hazardous condition that could result in death, serious personal injury and/or property damage.

All floor mounting bolts near the fuel tank area should be installed from the underside of the vehicle, to guard against the fuel tank being punctured in the event of a collision. This would mean not using Blind Fasteners in this area. Holes in this area should be 5/16". Ensure ample space in roof ribs and sidewall ribs for mounting screws so as not to puncture exterior roof or wall.

Do not install this product where it could interfere with deployment of air bags. Failure to comply could result in death or serious body injury.

- NOTICE -

Any modification or unintended use of this product shall immediately void all manufacturers warranties. Manufacturer disclaims all liability for injuries to persons or property resulting from any modification to, or unintended use of this product.

WERNER CO. LIMITED LIFETIME WARRANTY FOR WEATHER GUARD® PRODUCTS

WEATHER GUARD® Products — Limited Lifetime Warranty (Purchased on or after 1/1/2009)

Werner Co. (the "Manufacturer") warrants to the original purchaser only that WEATHER GUARD® Truck and Van Products (the "WEATHER GUARD® Product") will be free from defects in material and workmanship from the date of purchase and continuing for expected lifetime of the WEATHER GUARD® Product. A copy of the original sales receipt must be supplied to the Manufacturer at the time a warranty claim is made. This warranty terminates if the original purchaser transfers the WEATHER GUARD® Product to any other person.

What is Covered

All WEATHER GUARD® Products identified above that are purchased on or after January 1, 2009.

What We Will Do to Correct Problems

Subject to the limitations and exclusions described in this limited warranty, the Manufacturer will remedy defects in materials or workmanship by providing one of the following remedies at its option and without charge to the original purchaser for parts or labor: (a) repairing the defective portion of the WEATHER GUARD® Product or (b) replacing the entire WEATHER GUARD® Product. In addition, the manufacturer may elect at its option, not to repair or replace the WEATHER GUARD® Product, but rather issue to the original purchaser a refund equal to the purchase price paid for the WEATHER GUARD® Product or a credit to be used toward the purchase of new WEATHER GUARD® Product.

What is Not Covered

This limited warranty expressly excludes:

- Defects caused by normal wear and tear, cosmetic rust, scratches, accidents, unlawful vehicle operation, or modification to the product, or any types or repair of a WEATHER GUARD® Product other than those authorized or provided by the Manufacturer.
- Defects resulting from conditions beyond the Manufacturer's control including, but not limited to misuse, overloading, or failure to assemble, mount or use the WEATHER GUARD® Product in accordance with the Manufacturer's written instructions or guidelines included with the WEATHER GUARD® Product or made available to the original purchaser.
- Damage to the contents of the box or vehicle.
- TO THE EXTENT PERMITTED BY LAW, IN NO EVENT SHALL THE MANUFACTURER BE LIABLE FOR ANY INCIDENTAL, SPECIAL, INDIRECT, OR CONSEQUENTIAL DAMAGES, INCLUDING ANY ECONOMIC LOSS, WHETHER RESULTING FROM NON-PERFORMANCE, USE, MISUSE OR INABILITY TO USE THE WEATHER GUARD® PRODUCT OR THE MANUFACTURER'S NEGLIGENCE.

No Other Express Warranty Applies

This Limited Lifetime Warranty is the sole and exclusive warranty for WEATHER GUARD® Products. No employee, agent, dealer, or other person is authorized to alter this warranty or make any other warranty on behalf of Werner Co.

Notification Procedures

If the WEATHER GUARD® Product does not conform with the terms of this limited warranty, the original owner must promptly notify the Manufacturer in writing upon discovery of the nonconformity. In order to receive the remedies under this limited warranty, the warranty claim must describe the nature of the nonconformity, and a copy of the original sales receipt, invoice, bill or other proof of purchase must accompany the claim. Repairs or modifications made to the WEATHER GUARD® Product by other than the Manufacturer or its authorized agent will nullify this limited warranty. Coverage under this limited warranty is conditioned at all times upon the owner's compliance with these required notification and repair procedures. Warranty claims must include reciprocal contact information and may be made via certified mail to:

WERNER CO.

ATTN: Weather Guard® Warranty Claims
555 Pierce Road, STE 300 • Itasca, IL 60143 USA

weatherguard.com

If you have any questions, please call toll free at 1-800-456-7865