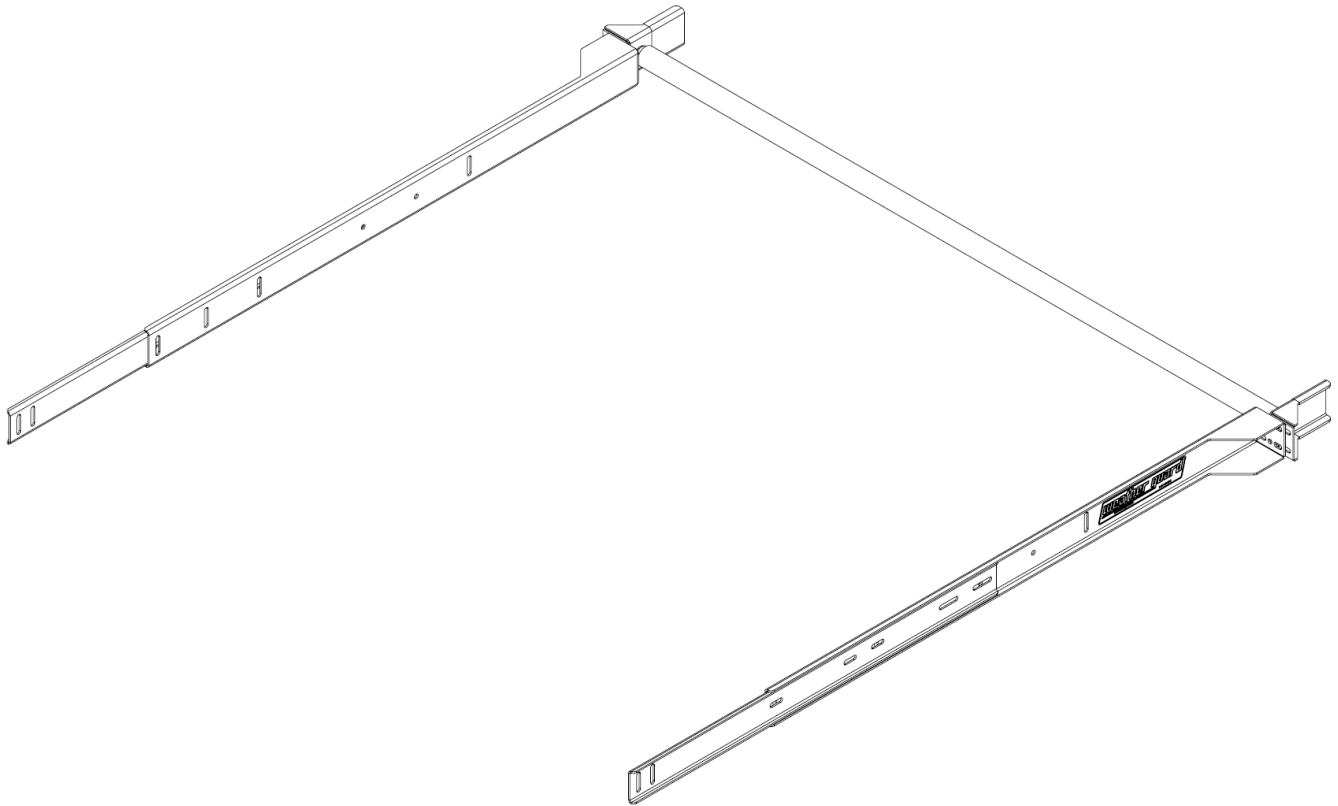




**VAN STORAGE SOLUTIONS**  
*FOR THE WAY YOU WORK™*

## **INSTALLATION INSTRUCTIONS for COMPACT SVR LOAD BAR ACCESSORY**



### **MODEL 23003**

Weather Guard / KNAACK  
420 E. Terra Cotta Ave.  
Crystal Lake, IL 60014 USA

800-456-7865 (Toll Free)  
800-334-2981 (Fax)  
Knaack.OrderEntry@wernerco.com

Weather Guard / KNAACK  
9133 Leslie St. Unit 105  
Richmond Hill, ON L4B4N1

888-562-2251 (Toll Free)  
888-456-8460 (Fax)  
Knaack.OrderEntry.Canada@wernerco.com

ATTENTION: PLEASE READ AND UNDERSTAND ALL INSTRUCTIONS AND WARNINGS

## INSTALLATION GUIDELINES

- WEATHER GUARD® load assist bars are designed to assemble to a WEATHER GUARD® ladder rack and assist in loading ladders onto the rack. If you have not already installed the rack, do so now before proceeding.
- Perform the installation on a level surface.
- Always wear protective eyewear to keep debris out of your eyes when installing WEATHER GUARD® Van Products.
- Tighten all 1/2" hardware to 57 ft-lb when ready.
- Tighten all 1/4" hardware to 76 in-lb when ready.
- **This product is designed and intended for installation to a WEATHER GUARD® Steel Van Rack (SVR) on all wheelbases of the following vehicles: Ford Transit Connect, RAM ProMaster City, Chevy City Express, Nissan NV200, and Mercedes Metris.**
- **All vans will require a center/accessory crossmember.**

## OPERATION GUIDELINES

- Any modifications made to this product, or use of this product for any other purpose than its intended use, could create a hazardous condition that can cause serious personal injury or property damage.
- **At the end of the first week of use, check all of the fasteners for proper tightness and then check every three months thereafter.**

## HARDWARE KIT

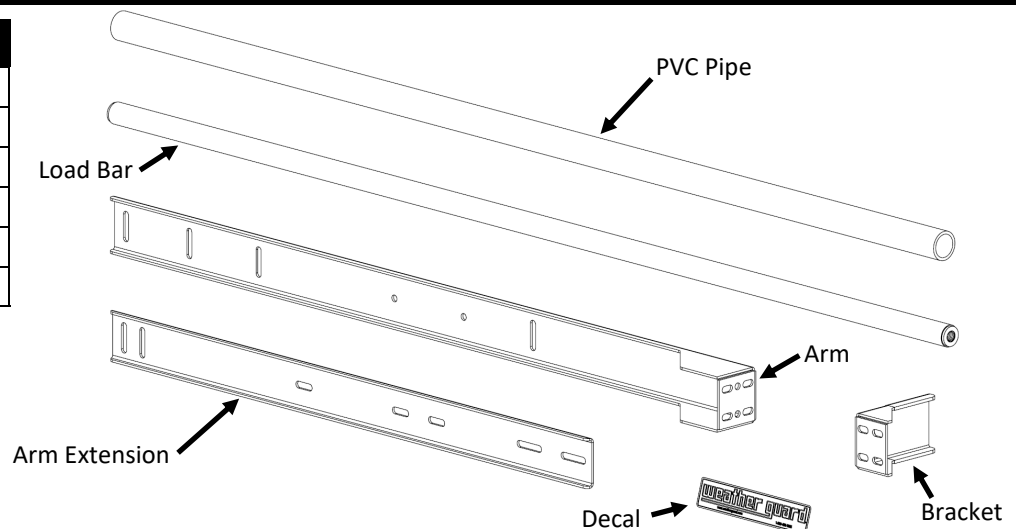
DESCRIPTION	QTY
1/4" Washer	36
1/4"-20 Nylon Lock Nut	18
1/4"-20 x 3/4" Bolt	18
1/4"-20 x 1-1/4" Bolt	8
1/2" Lock Washer	2
1/2" Washer	2
1/2"-13 x 1-3/4" Bolt	2
3/8" Spacer	8
1/2" Spacer	8

TOOLS REQUIRED	
7/16" Socket	Ratchet
7/16" Wrench	Torque Wrench
3/4" Socket	*Impact Wrench
Level	

\*Suggested for 1/2" Bolts; Do **NOT** use for 1/4" Hardware.

## PARTS LIST

DESCRIPTION	QTY
Arm	2
Arm Extension	2
Bracket	2
Load Bar	1
PVC Pipe	1
Decal	2



## LOAD BAR INSTALLATION INSTRUCTIONS

### STEP 1. Assemble Brackets & PVC to Load Bar

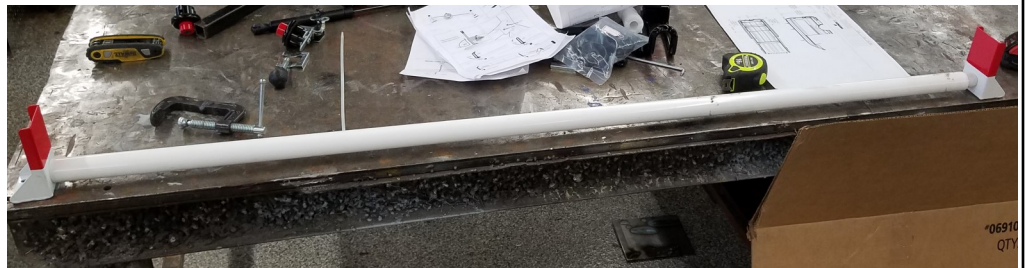
- Attach and tighten a Bracket to one end of the Load Bar using a 1/2"-13 bolt, 1/2" lock washer, and 1/2" flat washer.



- Slide the PVC Pipe over the other end of the Load Bar.



- Loosely attach the remaining Bracket to the other end of the Load Bar using a 1/2"-13 bolt, 1/2" lock washer, and 1/2" flat washer.
- Set the Assembly on a flat table top with the bases of the Brackets against the surface of the table.
- Clamp the first, already-tightened, Bracket against the table to prevent the assembly from turning.
- Tighten the loose bolt while keeping the Bracket square against the table and Load Bar.



## LOAD BAR INSTALLATION INSTRUCTIONS

### STEP 2. Assemble Arms to Arm Extensions

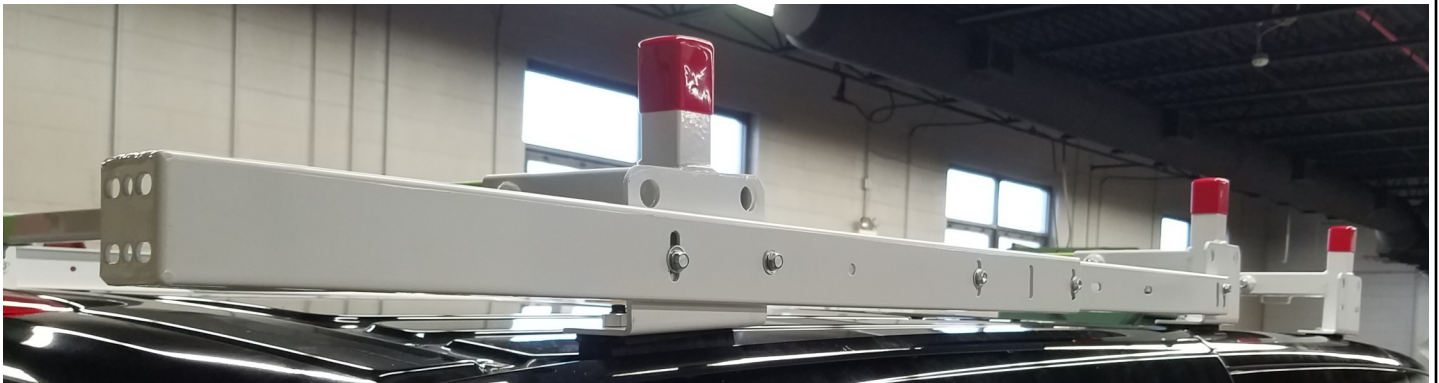
- Attach an Arm to an Arm Extension at the hole locations shown for your van (see pages 6-8 for locations) using (2) 1/4"-20 x 3/4" bolts, (4) 1/4" washers, and (2) 1/4"-20 nylon lock nuts. Tighten to 76 in-lbs.
- Repeat for the remaining Arm and Arm Extension.



Shown assembled for a 126" Mercedes Metris

### STEP 3. Attach Arm/Extension Assemblies to Rack Stands

- Attach an Arm & Extension at the hole locations shown for your van (see pages 6-8 for locations) using a 1/4"-20 bolt, (2) 1/4" washers, and a 1/4"-20 nylon lock nut at each hole location.
  - Note the orientation of the Arm and extension for your van model (see pages 6-9). On Mercedes Metris vans, the flanges will go inward toward the center of the van. On all other compact vans, the flanges will go outward away from the van
  - Note: Certain attachment points will require a 1/2" or 3/8" Spacer and longer bolt to line up properly. See notes on pages 6-8 for details.
- Use a level when tightening the Arm & Extension in place and torque hardware to 76 in-lbs. Note: Final position may need adjustment later to allow rear doors to open without interference.
- Repeat for the remaining Arm & Extension on the other side of the van.



Shown assembled to a 126" Mercedes Metris

### STEP 4. Attach Load Bar Assembly to Arms

- See the rear picture for your van (page 9) to determine which holes to use to mount the Load Bar assembly to the Arms.
- Use a 1/4"-20 x 3/4" bolt, (2) 1/4" washers, and a 1/4"-20 nylon lock nut to loosely attach the Load Bar assembly to one Arm at the top mounting point letting the Load Bar assembly hang down.



## LOAD BAR INSTALLATION INSTRUCTIONS

### STEP 4. Attach Load Bar Assembly to Arms (continued)

- Carefully swing the Load Bar assembly up to reach the other Arm and loosely attach it to that Arm at the top point using a 1/4"-20 x 3/4" bolt, (2) 1/4" washers, and a 1/4"-20 nylon lock nut.
- Loosely attach the bottom hardware on each Bracket.
- Center and square up the Load Bar assembly.
- Tighten all the 1/4" hardware to 76 in-lbs of torque.
- Check that the van's rear doors open and clear the Load Bar. If they do not, loosen the hardware holding Arms & Extensions to the Stands, adjust Load Bar up until the doors clear, and re-tighten the Arm & Extension hardware.



### STEP 5. Apply W/G Decal to each Arm

- Apply WEATHER GUARD® Decal to the outer face of each Arm behind the last set of holes, but in front of where the flanges flare outward or inward.



Decal Placement on Driver Side for vans where Arms point outward. Passenger Side to be mirrored.



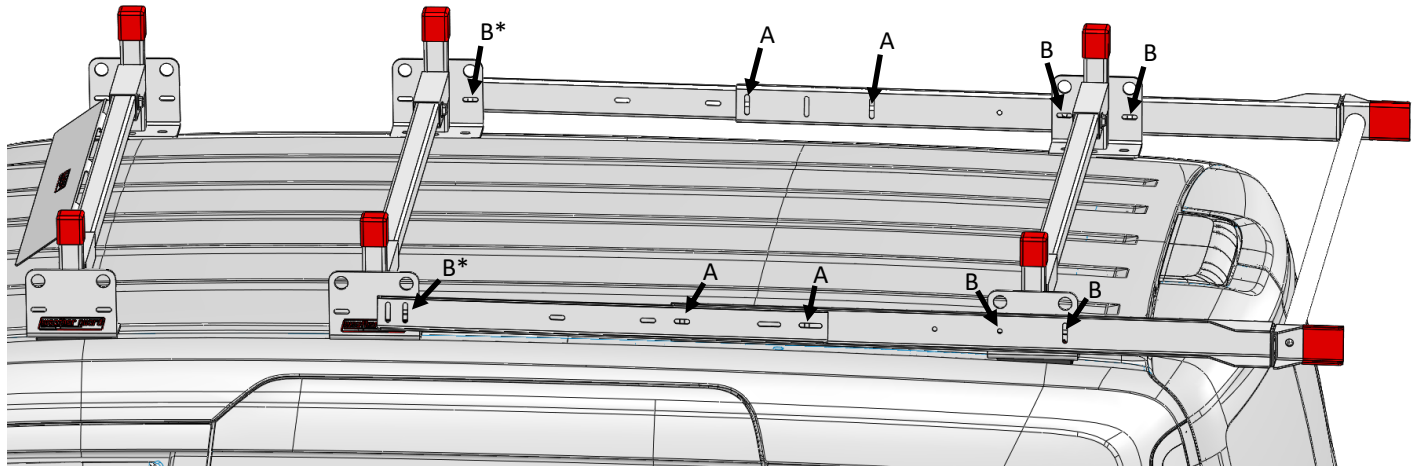
Decal Placement on Driver Side for vans where Arms point inward. Passenger Side to be mirrored.

## FORD TRANSIT CONNECT ATTACHMENT POINTS

Shown with rear of van to the right assembled to a direct-mounted 3-bar Rack. Actual alignment of parts may vary slightly.

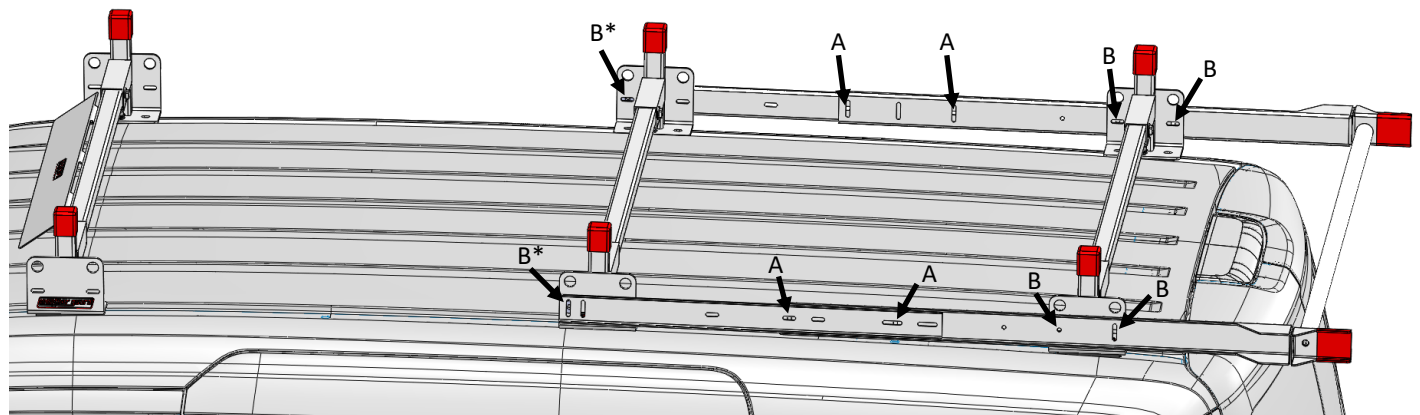
A = Arm to Arm Extension Attachment Point

B = Arm/Extension to Rack Stand Attachment Point



Transit Connect—105" Wheelbase

\*A 3/8" Spacer may be necessary between the Extension and Stand at these points.



Transit Connect—120" Wheelbase

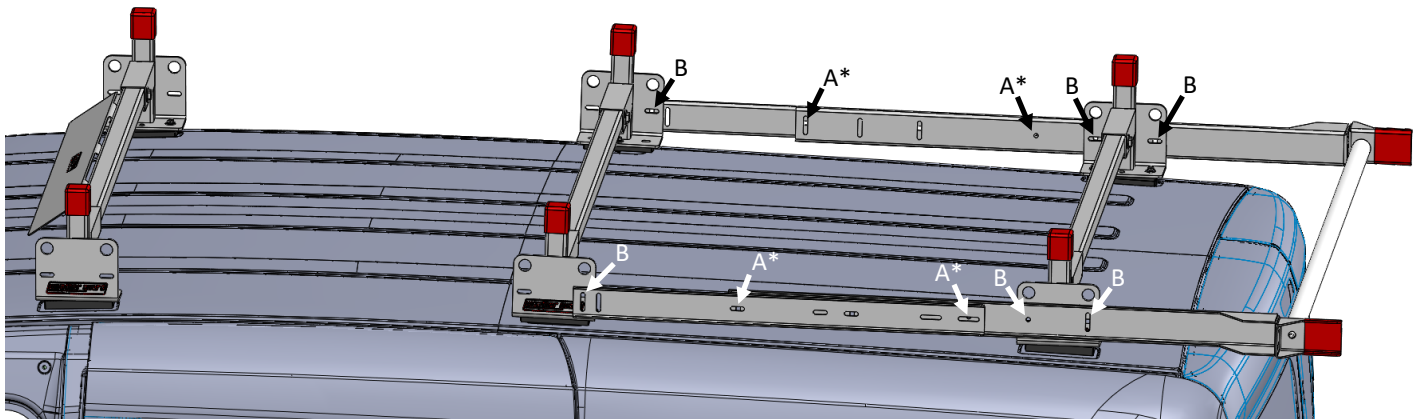
\*A 3/8" Spacer may be necessary between the Extension and Stand at these points.

## RAM PROMASTER CITY & CITY EXPRESS/NV200 ATTACHMENT POINTS

Shown with rear of van to the right assembled to a direct-mounted 3-bar Rack. Actual alignment of parts may vary slightly.

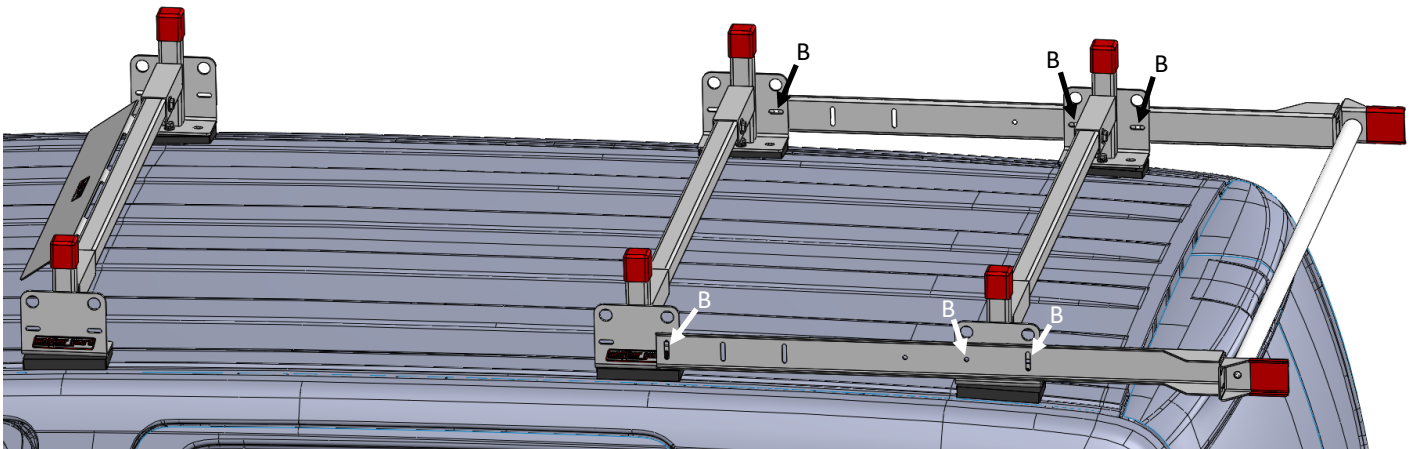
A = Arm to Arm Extension Attachment Point

B = Arm/Extension to Rack Stand Attachment Point



RAM ProMaster City

\*On a direct-mounted rack, use a longer bolt and a 1/2" Spacer between the Arms and Extensions to accommodate the width difference of the center and rear crossmembers. This should not be necessary on a channel-mounted rack.



Chevy City Express/Nissan NV200

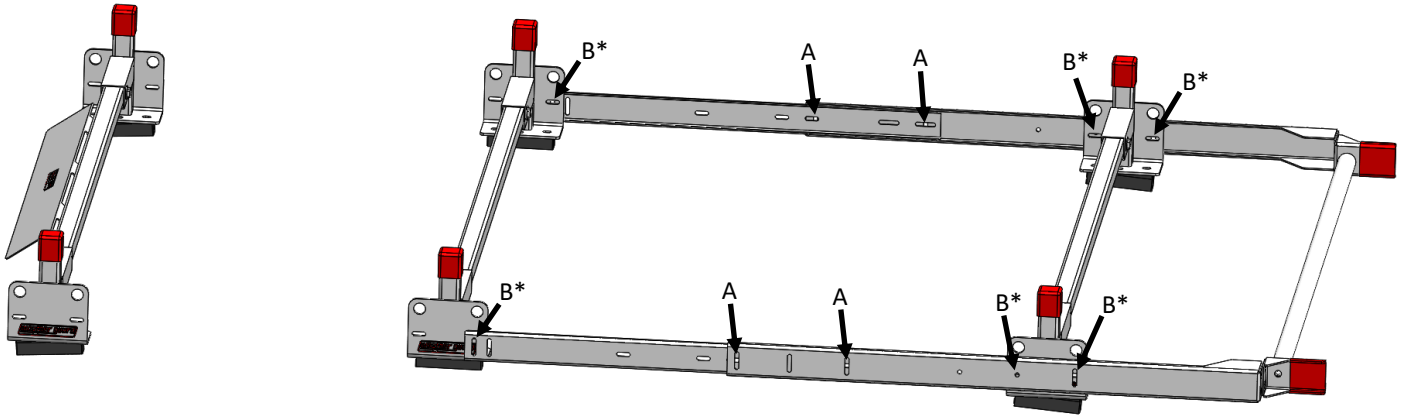
\*Note: These vans will not need the Extensions. The Arms will just bolt directly to the rear and center crossmember Stands.

## MERCEDES METRIS ATTACHMENT POINTS

Shown with rear of van to the right assembled to a direct-mounted 3-bar Rack. Actual alignment of parts may vary slightly.

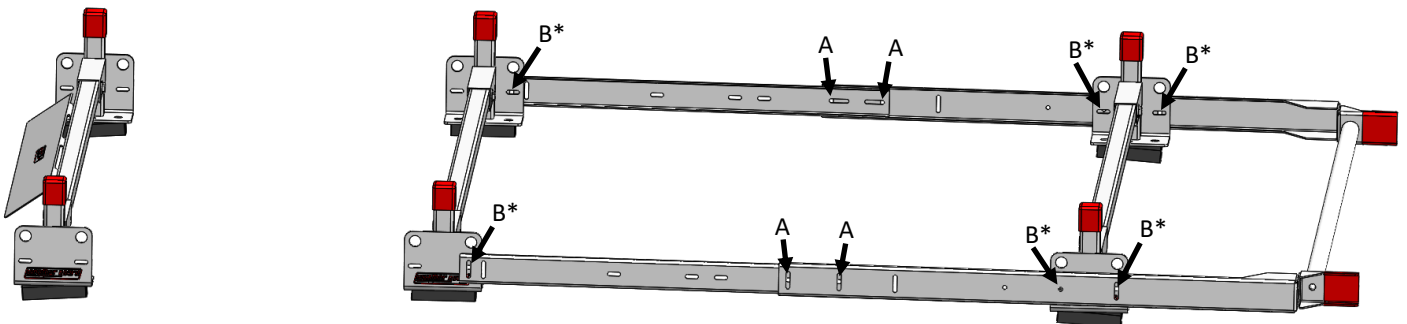
A = Arm to Arm Extension Attachment Point

B = Arm/Extension to Rack Stand Attachment Point



Mercedes Metris—126" Wheelbase

\*Use a longer bolt and a 1/2" Spacer between the Arms/Extensions and the Stands.



Mercedes Metris—135" Wheelbase

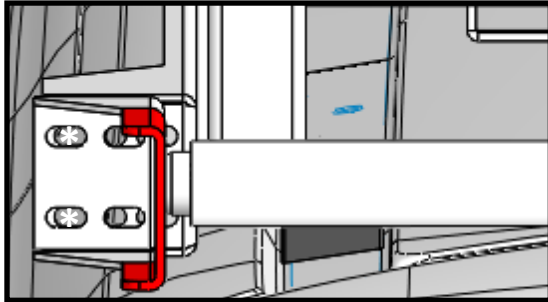
\*Use a longer bolt and a 1/2" Spacer between the Arms/Extensions and the Stands.



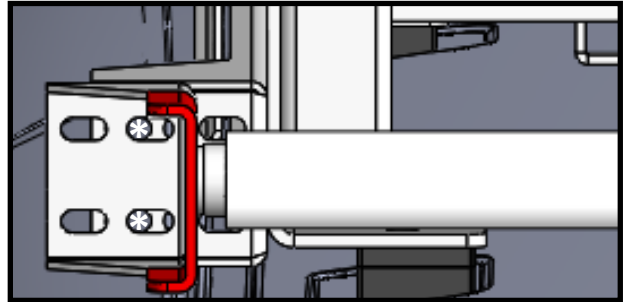
## REAR ATTACHMENT POINTS

Driver side shown as attached to a direct-mounted rack. Passenger side will be mirror image of the Driver side. Actual alignment of parts may vary slightly.

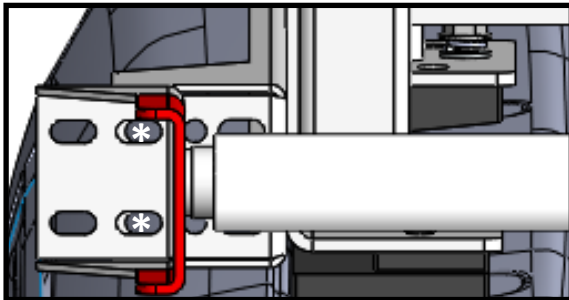
Asterisk (\*) = Attachment Point



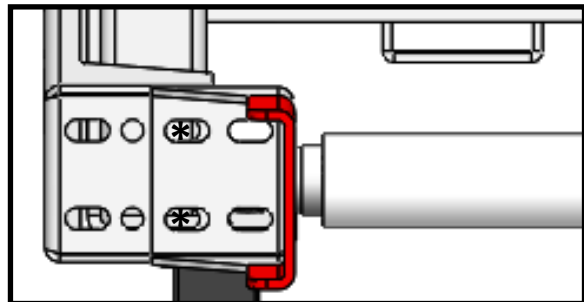
Ford Transit Connect



RAM ProMaster City



Nissan NV200/Chevy City Express



Mercedes Metris

**! WARNING**

This product can reduce the driver's ability to clearly see roadways, vehicular or pedestrian traffic and other objects through the rear and side windows of the vehicle, which can cause an accident. Extra precautions should be taken when driving a vehicle with this product. Make all adjustments necessary to ensure maximum visibility, including but not limited to, changing mirror and seating positions. State and local laws may prohibit obstruction of windows in a moving vehicle.

These instructions are to be followed using the parts and fasteners supplied for proper installation. Any modifications or improper installation of this product will create a hazardous condition that could result in death, serious personal injury and/or property damage.

**- NOTICE -**

Any modification or unintended use of this product shall immediately void all manufacturer's warranties. Manufacturer disclaims all liability for injuries to persons or property resulting from any modification to, or unintended use of this product.

**WERNER CO. LIMITED LIFETIME WARRANTY FOR WEATHER GUARD® PRODUCTS**

**WEATHER GUARD® Products — Limited Lifetime Warranty (Purchased on or after 1/1/2009)**

WERNER CO. (the "Manufacturer") warrants to the original purchaser only that WEATHER GUARD® Truck and Van Products (the "WEATHER GUARD® Product") will be free from defects in material and workmanship from the date of purchase and continuing for the expected lifetime of the WEATHER GUARD® Product. A copy of the original sales receipt must be supplied to the Manufacturer at the time a warranty claim is made. This warranty terminates if the original purchaser transfers the WEATHER GUARD® Product to any other person.

**What is Covered**

All WEATHER GUARD® Products identified above that are purchased on or after January 1, 2009.

**What We Will Do to Correct Problems**

Subject to the limitations and exclusions described in this limited warranty, the Manufacturer will remedy defects in materials or workmanship by providing one of the following remedies at its option and without charge to the original purchaser for parts or labor: (a) repairing the defective portion of the WEATHER GUARD® Product or (b) replacing the entire WEATHER GUARD® Product. In addition, the manufacturer may elect at its option, not to repair or replace the WEATHER GUARD® Product, but rather issue to the original purchaser a refund equal to the purchase price paid for the WEATHER GUARD® Product or a credit to be used toward the purchase of new WEATHER GUARD® Product.

**What is Not Covered**

This limited warranty expressly excludes:

- Defects caused by normal wear and tear, cosmetic rust, scratches, accidents, unlawful vehicle operation, or modification to the product, or any types or repair of a WEATHER GUARD® Product other than those authorized or provided by the Manufacturer.
- Defects resulting from conditions beyond the Manufacturer's control including, but not limited to misuse, overloading, or failure to assemble, mount or use the WEATHER GUARD® Product in accordance with the Manufacturer's written instructions or guidelines included with the WEATHER GUARD® Product or made available to the original purchaser.
- Damage to the contents of the box or vehicle.
- TO THE EXTENT PERMITTED BY LAW, IN NO EVENT SHALL THE MANUFACTURER BE LIABLE FOR ANY INCIDENTAL, SPECIAL, INDIRECT, OR CONSEQUENTIAL DAMAGES, INCLUDING ANY ECONOMIC LOSS, WHETHER RESULTING FROM NON-PERFORMANCE, USE, MISUSE OR INABILITY TO USE THE WEATHER GUARD® PRODUCT OR THE MANUFACTURER'S NEGLIGENCE.

**No Other Express Warranty Applies**

This Limited Lifetime Warranty is the sole and exclusive warranty for WEATHER GUARD® Products. No employee, agent, dealer, or other person is authorized to alter this warranty or make any other warranty on behalf of WERNER CO.

**Notification Procedures**

If the WEATHER GUARD® Product does not conform with the terms of this limited warranty, the original owner must promptly notify the Manufacturer in writing upon discovery of the nonconformity. In order to receive the remedies under this limited warranty, the warranty claim must describe the nature of the nonconformity, and a copy of the original sales receipt, invoice, bill or other proof of purchase must accompany the claim. Repairs or modifications made to the WEATHER GUARD® Product by other than the Manufacturer or its authorized agent will nullify this limited warranty. Coverage under this limited warranty is conditioned at all times upon the owner's compliance with these required notification and repair procedures. Warranty claims must include reciprocal contact information and may be made via certified mail to:

**WERNER CO. ATTN: Warranty Claims**  
420 E. Terra Cotta Avenue Crystal Lake, IL 60014  
**If you have any questions, please call toll free at 1-800-456-7865.**  
©2018 WERNER CO.

