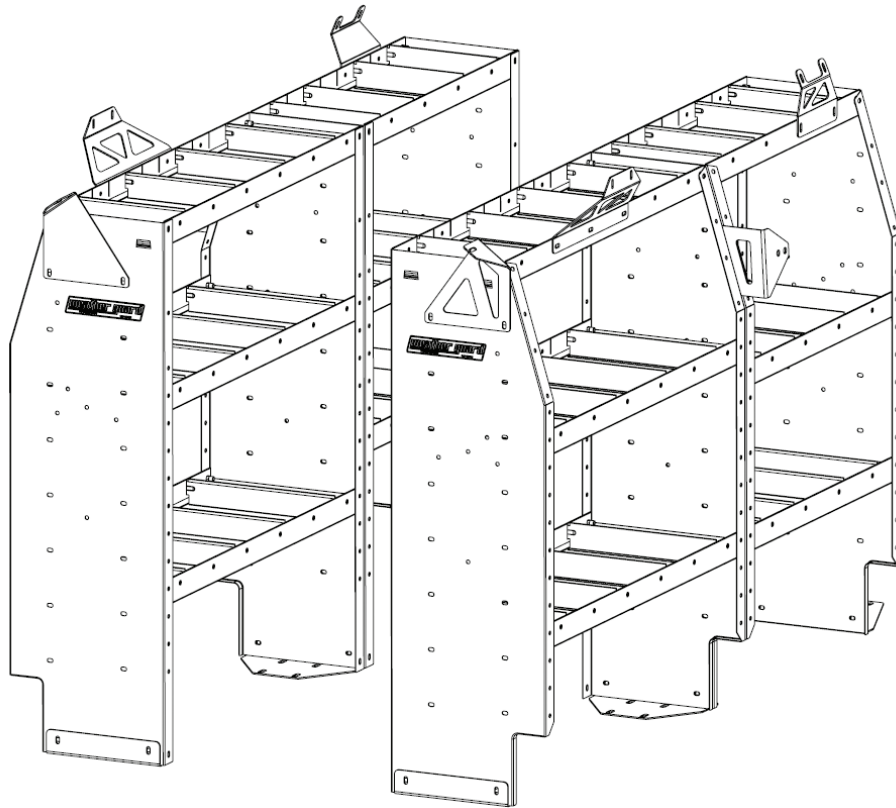




VAN STORAGE SOLUTIONS

**Assembly and Installation Instructions for  
RAM PROMASTER CITY  
No-Drill Shelving Mounting Kit  
9752-3-01, 975205-3-01, and 975206-3-01**



Weather Guard / WERNER CO.  
420 E. Terra Cotta Ave.  
Crystal Lake, IL 60014 USA

800-456-7865 (Toll Free)  
800-334-2981 (Fax)

Weather Guard / WERNER CO.  
9133 Leslie St. Unit 105  
Richmond Hill, ON L4B4N1

888-562-2251 (Toll Free)  
888-456-8460 (Fax)

**ATTENTION: PLEASE READ AND UNDERSTAND ALL INSTRUCTIONS AND WARNINGS  
BEFORE ASSEMBLING, INSTALLING OR USING THIS PRODUCT.**

**FOR ELECTRIC VEHICLES** - Drilling into electrical wiring may damage vehicle systems and may cause bodily harm. This equipment should be installed by qualified personnel familiar with this type of vehicle and the hazards involved. To prevent damage to components underneath the floor, mainly the battery and high voltage system components, refer to your vehicle manufacturer's instructions or the manufacturer's website for more information.

**▲ PLAN YOUR VAN (TIPS FOR FASTER INSTALLATION)**

- Follow these instructions to install your WEATHER GUARD® van shelving inside a RAM Promaster City van.
- Using these mounting brackets you will be able to install the van shelving using pre-existing weld nuts and mounting holes.

**HARDWARE KIT**

**9752-3-01**

DESCRIPTION	QTY
M6-1.0 x 16mm Hex Head Bolt	28
M8-1.25 x 20mm Hex Head Bolt	4
M8-1.25 x 40mm Hex Head Bolt	2
7/16"-20 x 3/4" Hex Head Bolt	2
M6-1.0 x 50mm Hex Head Bolt (Black Oxide)	1
M6-1.0 Nylon Lock Nut	22
1/2" Floor Mounting Spacer	4
1/4" Flat Washer	22
5/16" Flat Washer	2
7/16" Flat Washer	2
M6-1.0 Blind Fastener	6
Blind Fastener Installation Tool	1

**975205-3-01 and 975206-3-01**

DESCRIPTION	QTY
M6-1.0 x 16mm Hex Head Bolt	23
M8-1.25 x 20mm Hex Head Bolt	2
M8-1.25 x 40mm Hex Head Bolt	1
7/16"-20 x 3/4" Hex Head Bolt	1
M6-1.0 x 50mm Hex Head Bolt (Black Oxide)	1
M6-1.0 Nylon Lock Nut	23
1/2" Floor Mounting Spacer	3
1-1/4" Shelf Mounting Spacer	1
1/4" Flat Washer	23
5/16" Flat Washer	2
7/16" Flat Washer	1
M6-1.0 Blind Fastener	3
Blind Fastener Installation Tool	1

**TOOLS REQUIRED**

10mm Socket	10mm Wrench
13mm Socket	13mm Wrench
17mm Socket	7/16" Wrench
7/16" Socket	9/16" Wrench
5/8" Socket	Ratchet Driver
T40 TORX Bit	1" Hole Saw
Torque Wrench	Level
Marker	

- Take into consideration any REDZONE end panel mounting accessories to be used and the desired location. The shelves can be easily adjusted.
- Before drilling for the blind fasteners, check for electrical wiring and air-bag system components.

**PARTS LIST**

**9752-3-01**

DESCRIPTION	QTY
42" Wide Shelf Mounting Foot	1
36" Wide Shelf Mounting Foot	1
Driver Side Mid Bracket	1
Curb Side Mid Bracket	1
Rear Upper Shelf Bracket	1
Driver Side Rear Side Bracket	1
Curb Side Rear Side Bracket	2

**975205-3-01**

DESCRIPTION	QTY
36" Wide Shelf Mounting Foot	1
Front Mounting Foot	1
Driver Side Mid Bracket	1
Driver Side Front Upper Bracket	1
Rear Upper Shelf Bracket	1
Driver Side Rear Side Bracket	1

**975206-3-01**

DESCRIPTION	QTY
36" Wide Shelf Mounting Foot	1
Front Mounting Foot	1
Curb Side Mid Bracket	1
Curb Side Front Upper Bracket	1
Rear Upper Shelf Bracket	1
Curb Side Rear Side Bracket	1

**▲ CAUTION**

Be safe - always wear protective eyewear to keep debris out of your eyes when installing WEATHER GUARD® Van Products.

## 9752-3-01 Rear Shelving Mounting Kit for RAM Promaster City

Driver Side Rear Side Bracket



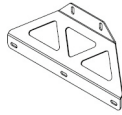
Curb Side Rear Side Bracket

Driver Side Mid Bracket

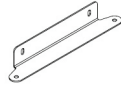
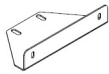


Curb Side Mid Bracket

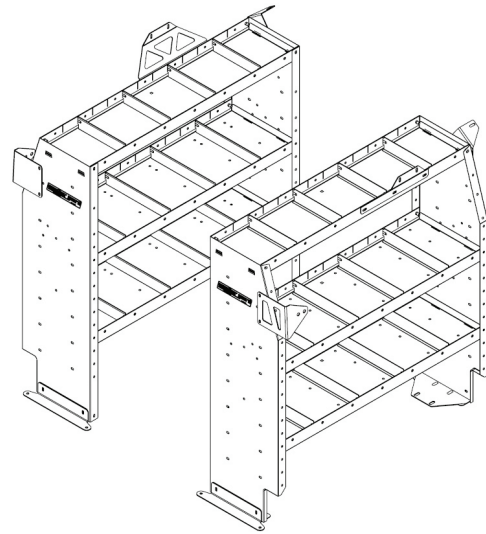
Rear Upper Shelf Bracket (2)



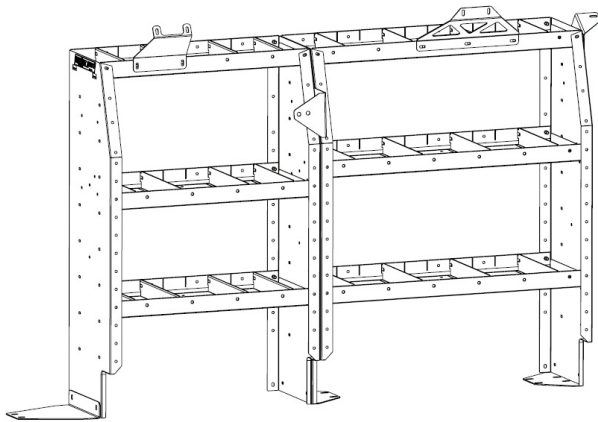
36" Wide Shelf Mounting Foot



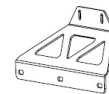
42" Wide Shelf Mounting Foot



## 975205-3-01 Driver Side Shelving Mounting Kit for RAM Promaster City



Driver Side Front Upper Bracket



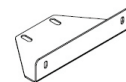
Rear Upper Shelf Bracket

Driver Side Mid Bracket



Driver Side Rear Side Bracket

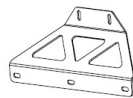
36" Wide Shelf Mounting Foot



Front Mounting Foot

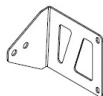
## 975206-3-01 Curb Side Shelving Mounting Kit for RAM Promaster City

Curb Side Rear Side Bracket



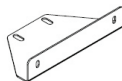
Rear Upper Shelf Bracket

Curb Side Mid Bracket

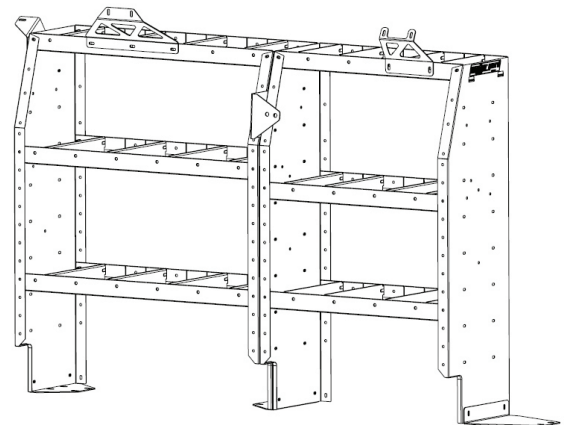


Curb Side Front Upper Bracket

Front Mounting Foot



36" Wide Shelf Mounting Foot

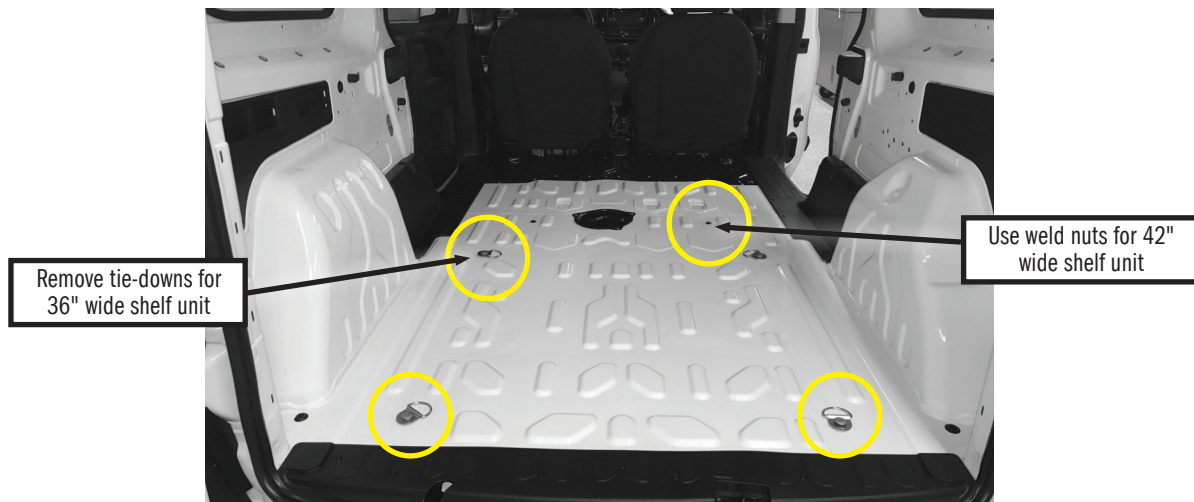


## REAR SHELVING INSTALLATION INSTRUCTIONS (9752-3-01, 975205-3-01 AND 975206-3-01)

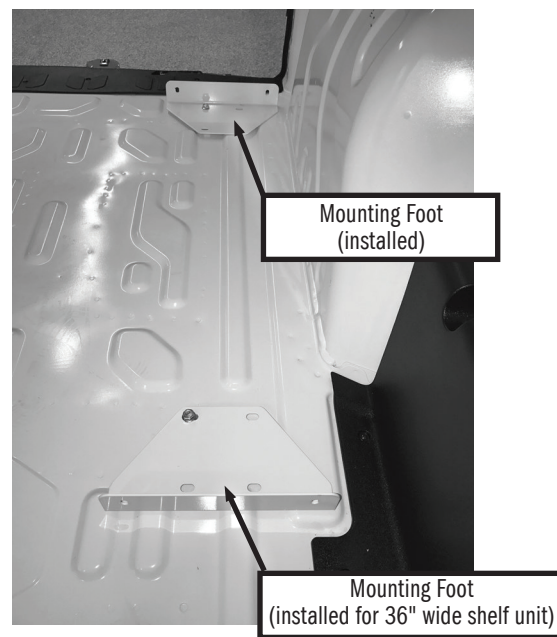
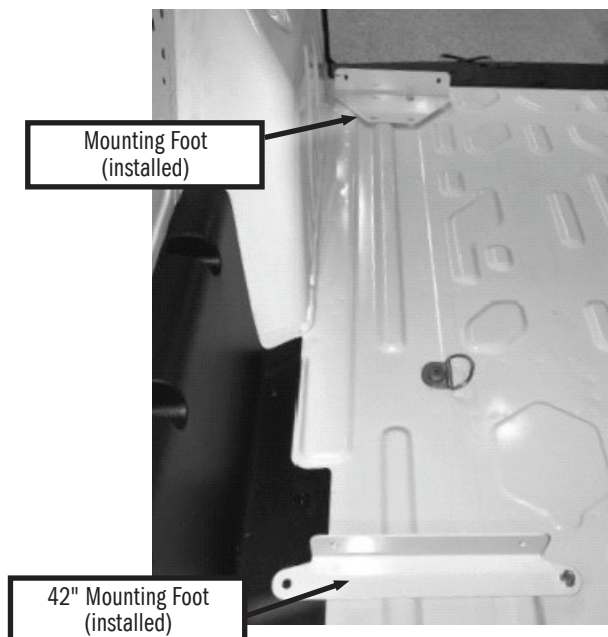
Using these mounting brackets you will be able to install 36" wide or 42" wide rear shelving units in a RAM Promaster City using pre-existing weld nuts and mounting holes when installing 9752-3-01. WEATHER GUARD® van shelving and accessories provide flexibility in customizing the storage space for the needs of tradesmen and professionals.

NOTE: 36" Rear Shelving Unit MUST be used to be able to install 28" Front Shelving Unit for 975205-3-01 and 975206-3-01.

**STEP 1.** Using the T40 Torx bit and a ratchet or driver, remove the tie down hooks from the van floor. Both 36" wide and 42" wide shelf units will use the weld nut from the rear tie-down hooks. Only the 36" wide shelf unit will need the other set of tie down hooks.



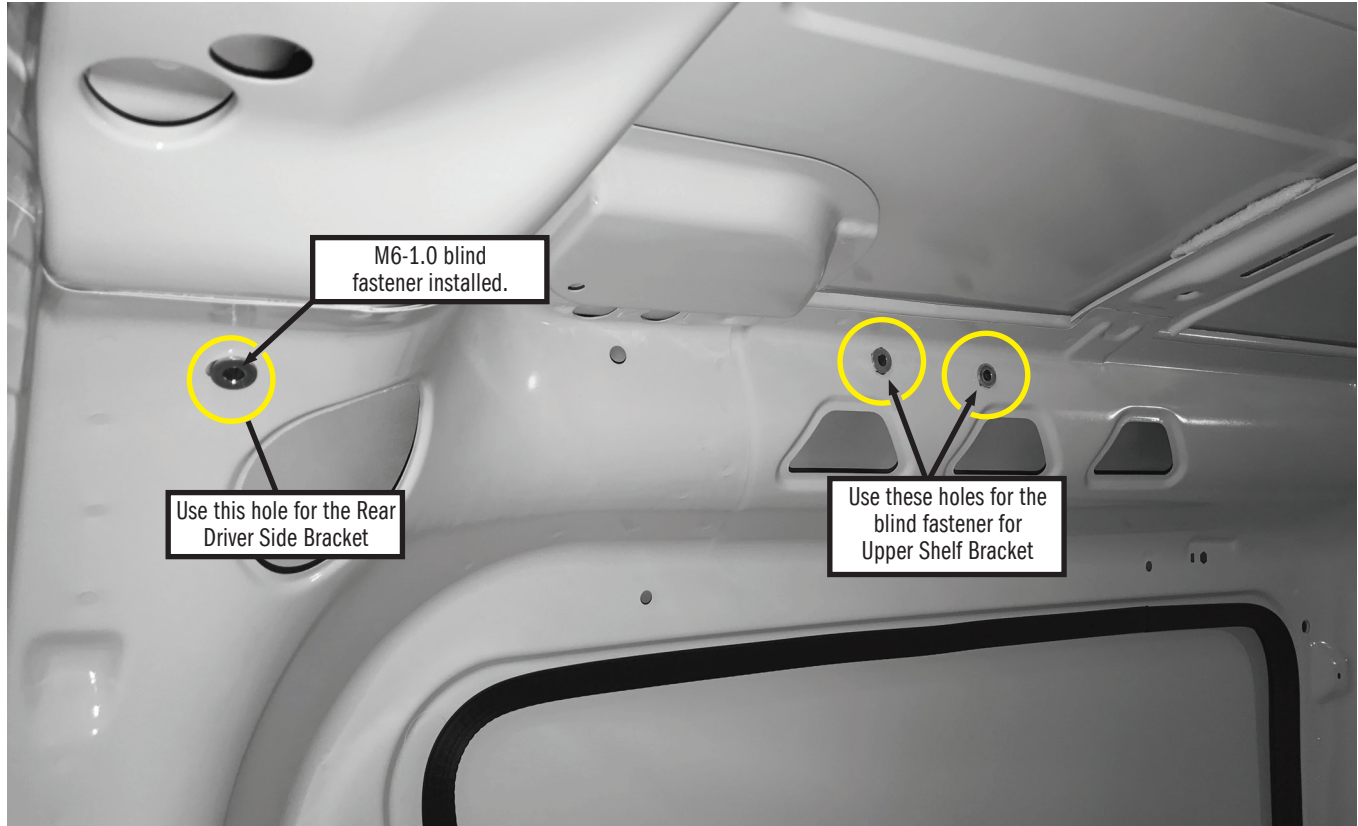
**STEP 2.** Determine if you will be installing 36" wide or 42" wide shelving and select the appropriate mounting feet. Starting at the rear of the van, install a Mounting Foot to the van floor using (1) M8-1.25 x 40mm bolt and (1) 12.7mm thick floor spacer. Use the 13mm socket and driver to loosely attach the mounting foot. **Do not completely tighten at this time, allowing the foot to pivot about the mounting bolt.** Repeat with the Curb Side Front Mounting Foot.



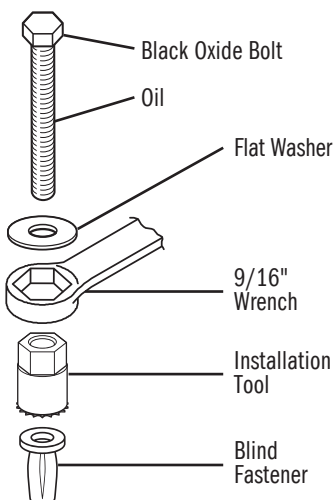


## REAR SHELVING INSTALLATION INSTRUCTIONS (9752-3-01, 975205-3-01 AND 975206-3-01)

**STEP 3.** Install (6) M6-1.0 Blind Fasteners for the Rear Driver Side Bracket, the Rear Curb Side Bracket, and the (2) Upper Shelf Brackets in existing holes of the RAM Promaster City. Referring to the picture below, locate the holes in the rear pillar and on the side wall of the van. Follow the instructions below and install the M6 blind fastener in these holes on both the driver and curb sides.



### INSTALLATION PROCEDURE USING BLIND FASTENERS



Place a drop of oil on the black oxide bolt before assembling as shown on right. Place the Blind Fastener in the hole and use a 10mm socket and driver to tighten the black hex bolt until the blind fastener is fully sealed.

When setting black hex bolt, it will start out hard. As the Blind Fastener "bulbs" out it will get easier, until it bottoms out or sets.

Make sure the Blind Fastener and Installation Tool do not turn during installation.

Before drilling for blind fasteners, check to make sure you won't be damaging wiring, gas lines, brake lines or other critical vehicle systems.

Too much pressure while drilling or setting the blind fasteners may cause dimples in the body panel around the holes.

## REAR SHELVING INSTALLATION INSTRUCTIONS (9752-3-01, 975205-3-01 AND 975206-3-01)

### STEP 4A. Attach mounting brackets to the 36" wide shelf units.

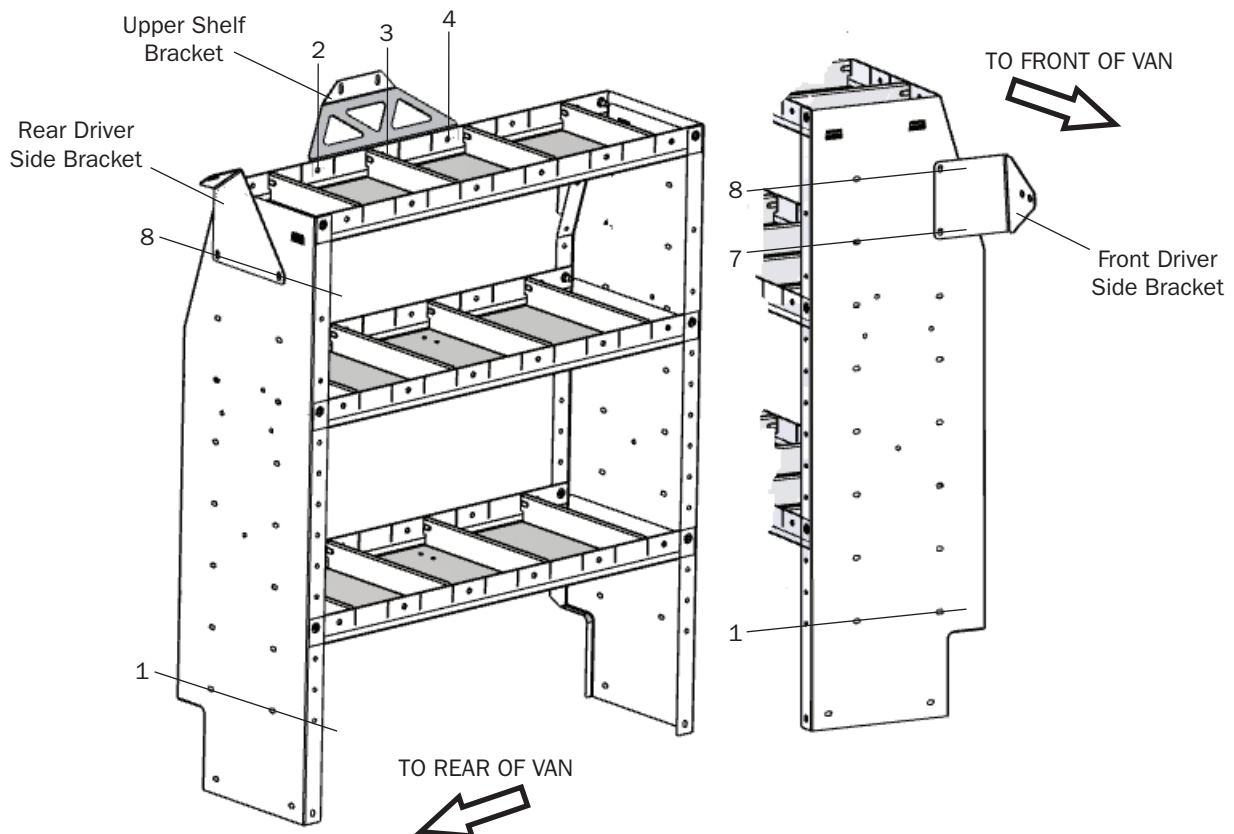
Starting with the Driver Side 36" wide shelf unit, attach the Rear Driver Side Bracket to the rear end panel using the top set of end panel mounting holes using (2) M6-1.0 x 16 mm bolts, (2) flat washers and (2) M6-1.0 lock nuts with a 10mm socket and driver as show in the figure. Do not completely tighten the M6 bolts yet, allowing some flexibility for installing the shelf unit.

Next, with the Upper Shelf Bracket oriented as in the figure, attach the Upper Shelf Bracket to the top shelf in the 2nd, 3rd, and 4th shelf holes going from left to right using (3) M6-1.0 x 16 mm bolts, (3) flat washers and (3) M6-1.0 lock nuts with a 10mm socket and driver. Do not completely tighten the M6 bolts yet, allowing some flexibility for installing the shelf unit.

Finally, position the Front Driver Side Bracket (solid, no cut outs) on the front end panel with the side that mounts to the van pointing towards the front of the van as shown in the figure. Attach the bracket to the end panel in the 7th and 8th end panel mounting holes using (2) M6-1.0 x 16 mm bolts, (2) flat washers and (2) M6-1.0 lock nuts with a 10mm socket and driver as show in the figure. Do not completely tighten the M6 bolts yet, allowing some flexibility for installing the shelf unit.

Repeat with the Curb side 36" wide shelf unit. The Rear Curb Side Bracket and the Front Curb Side brackets are mirror images of the driver side brackets. The Curb Side brackets have cut outs to help distinguish driver side from Driver side. The Upper Shelf Bracket will mount to the 2nd, 3rd, and 4th shelf holes going from right to left.

This mounting kit provides the flexibility to install either 36" wide or 42" wide shelf units, or a mixed configurations of 36" and 42" inch in the RAM Promaster City van.



Repeat for the Curb side of the van

## REAR SHELVING INSTALLATION INSTRUCTIONS (9752-3-01, 975205-3-01 AND 975206-3-01)

### STEP 4B. Attach mounting brackets to the 42" wide shelf units.

**NOTE: SKIP THIS STEP WHEN INSTALLING 975205-3-01 AND 975206-3-01. 36" REAR SHELVING UNIT IS REQUIRED.**

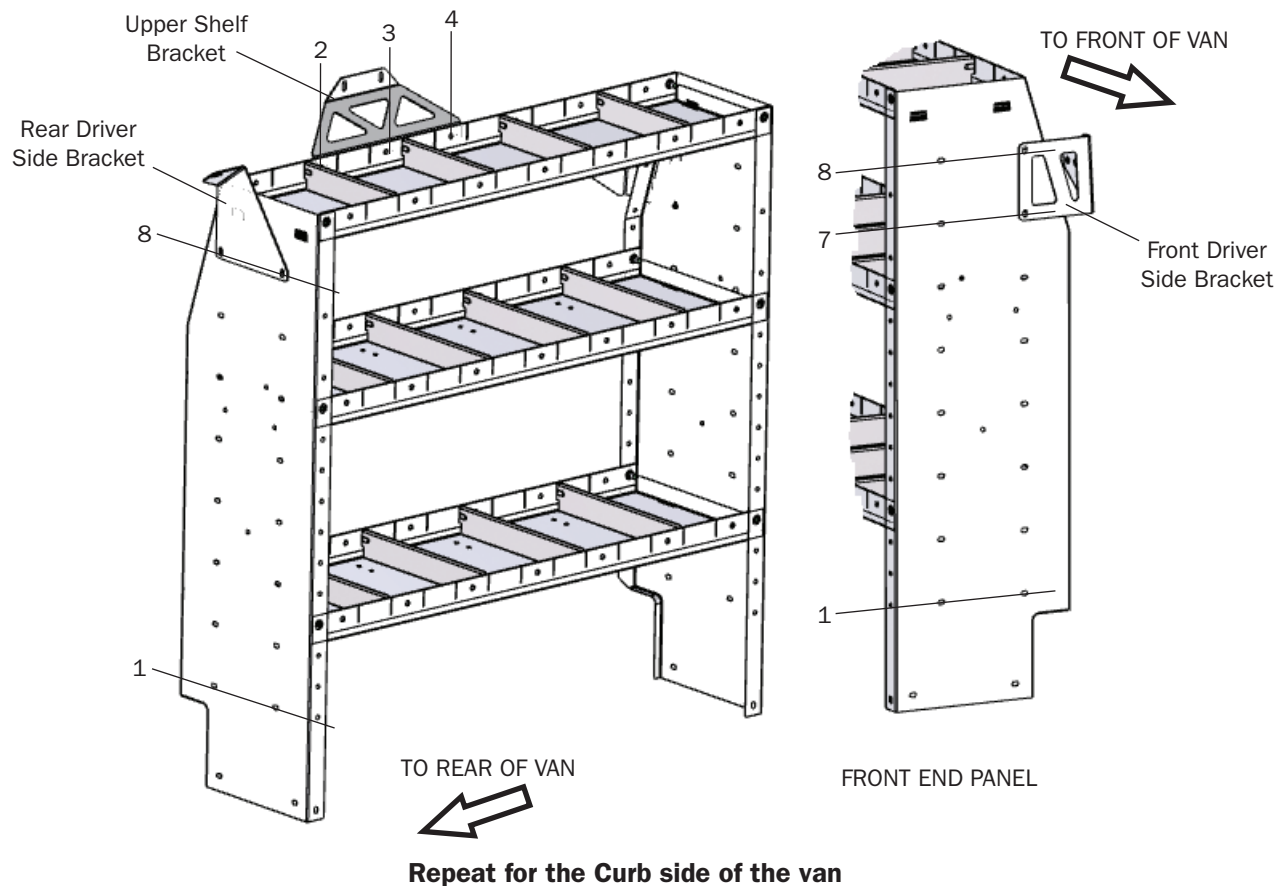
Starting with the Driver Side 42" wide shelf unit, attach the Rear Driver Side Bracket to the rear end panel using the top set of end panel mounting holes using (2) M6-1.0 x 16mm bolts, (2) flat washers and (2) M6-1.0 lock nuts with a 10mm socket and driver as show in the figure. Do not completely tighten the M6 bolts yet, allowing some flexibility for installing the shelf unit.

Next, with the Upper Shelf Bracket oriented as in the figure, attach the Upper Shelf Bracket to the top shelf in the 2nd, 3rd, and 4th shelf holes going from left to right using (3) M6-1.0 x 16mm bolts, (3) flat washers and (3) M6-1.0 lock nuts with a 10mm socket and driver. Do not completely tighten the M6 bolts yet, allowing some flexibility for installing the shelf unit.

Finally, position the Front **Curb Side Bracket** (with cut outs) on the front end panel with the side that mounts to the van pointing away from the front of the van as shown in the figure. This is a flipped orientation from the 36" inch wide shelf unit. Attach the bracket to the end panel in the 7th and 8th end panel mounting holes using (2) M6-1.0 x 16mm bolts, (2) flat washers and (2) M6-1.0 lock nuts with a 10mm socket and driver as show in the figure. Do not completely tighten the M6 bolts yet, allowing some flexibility for installing the shelf unit.

Repeat with the Curb side 42" wide shelf unit. Use the Rear Curb Side Bracket on the rear end panel and the Front Driver Side bracket on the front end panel. The Upper Shelf Bracket will mount to the 2nd, 3rd, and 4th shelf holes going from right to left.

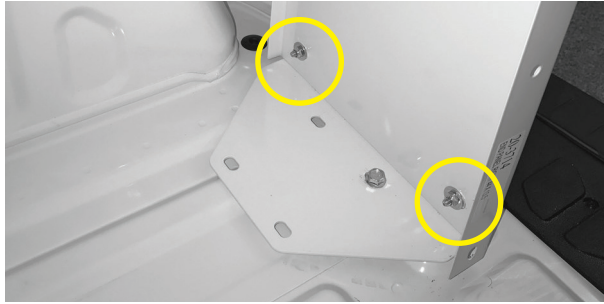
This mounting kit provides the flexibility to install either 36" wide or 42" wide shelf units, or a mixed configurations of 36" and 42" inch in the RAM Promaster City van.



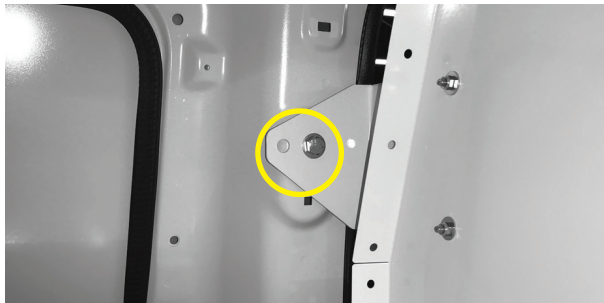
## REAR SHELVING INSTALLATION INSTRUCTIONS (9752-3-01, 975205-3-01 AND 975206-3-01)

**STEP 5.** Place the Driver Side shelf unit in the van and fit it between the front and rear mounting feet. Align the brackets on the end panels and the shelf with the mounting holes in the van.

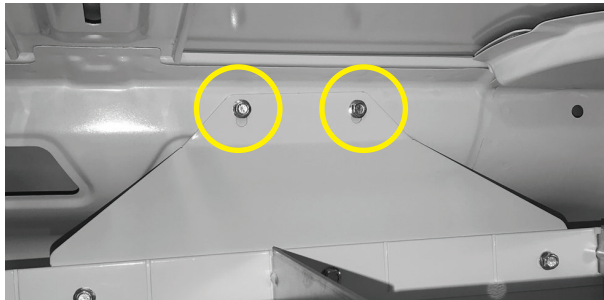
Working from the bottom up, using (2) M6-1.0 x 16mm bolts, (2) flat washers, and (2) M6-1.0 lock nuts, attach the front mounting foot to front end panel with the 10 mm socket and wrench. Do not install the M6-1.0 x 16mm bolts yet when installing 975205-3-01 or 975206-3-01. Do not completely tighten yet. Repeat for the other mounting foot.



Using (1) 7/16-20 x 3/4" bolt and (1) 7/16 flat washer, attach the bracket on the front end panel to the van with a 5/8" socket and driver. Do not completely tighten yet.



Using (2) M6-1.0 x 16mm bolts, attach the Upper Shelf bracket to M6 blind fasteners installed in Step 3 with the 10 mm socket and wrench. Do not completely tighten yet.



Using (1) M6-1.0 x 16mm bolt, attach the Rear Driver Side bracket to the M6 blind fastener installed in Step 3 with the 10 mm socket and wrench. Do not completely tighten yet.





## REAR SHELVING INSTALLATION INSTRUCTIONS (9752-3-01, 975205-3-01 AND 975206-3-01)

**STEP 6.** Check for shelf unit alignment and straightness and after making any adjustments, tighten the mounting hardware.

Tighten the M6 bolts and lock nuts to 10 ft-lbs. using the 10 mm socket and the torque wrench.  
Tighten the M8 bolts to 15 ft-lbs. using the 13 mm socket and the torque wrench.  
Tighten the 7/16" bolts to 26 ft-lbs using a 5/8" socket and the torque wrench.

**The installation of WEATHER GUARD® Driver Side Rear Shelving Mounting into the Promaster City is now complete.**

**Repeat the steps 1 through 6 for the Curb Side shelving unit.**

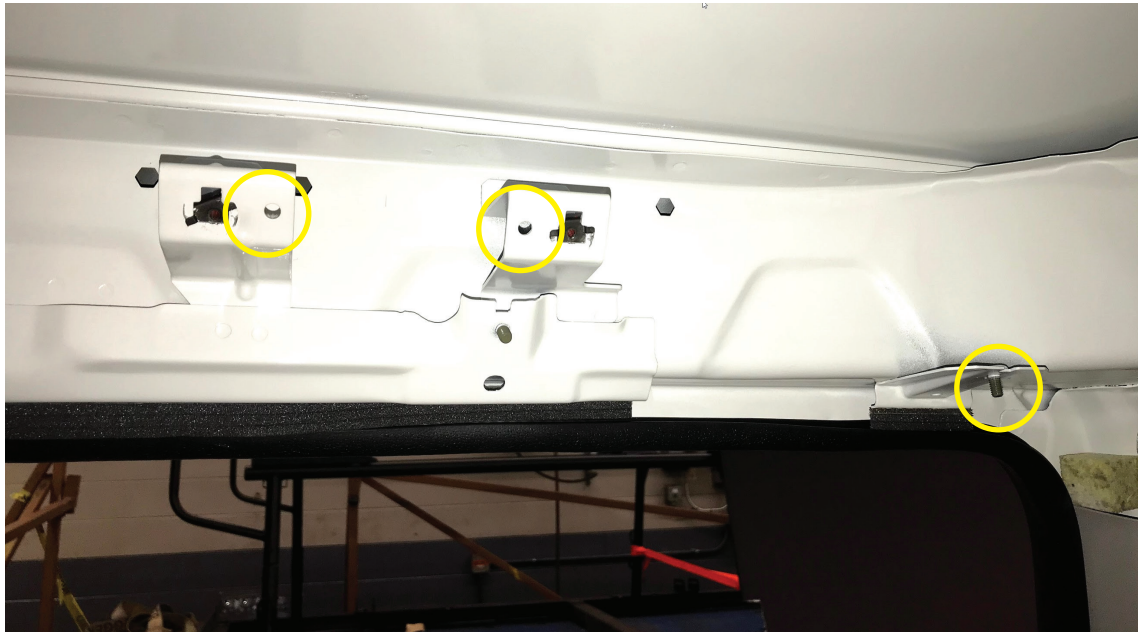


## FRONT SHELVING INSTALLATION INSTRUCTIONS (975205-3-01 and 975206-3-01)

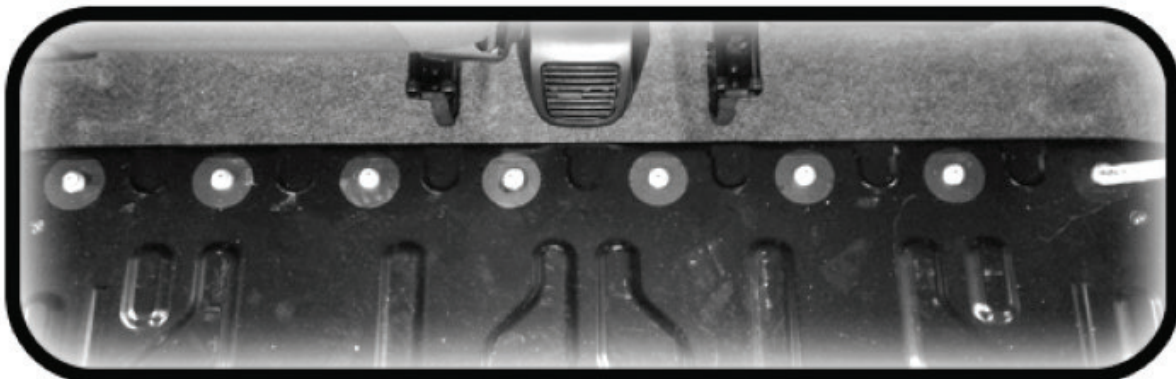
**STEP 7.** The following steps will apply to driver side front shelf installation. Passenger side installation will mirror the driver side installation using the passenger side specific bracket and a common front mounting foot.

Complete Steps 1 through 6 except the fastening of Driver Side Mid Bracket and 36" Wide Shelf Mounting foot.

**STEP 8.** Remove the OEM plastic trim cover above the sliding door using a Phillips Screw Driver to expose the brackets Front Upper Bracket mounting points. Highlighted holes will line up to the mounting holes on the Front Upper Bracket. Also note the M6-1.0 threaded stud which will be used to secure the 28" shelf end panel.

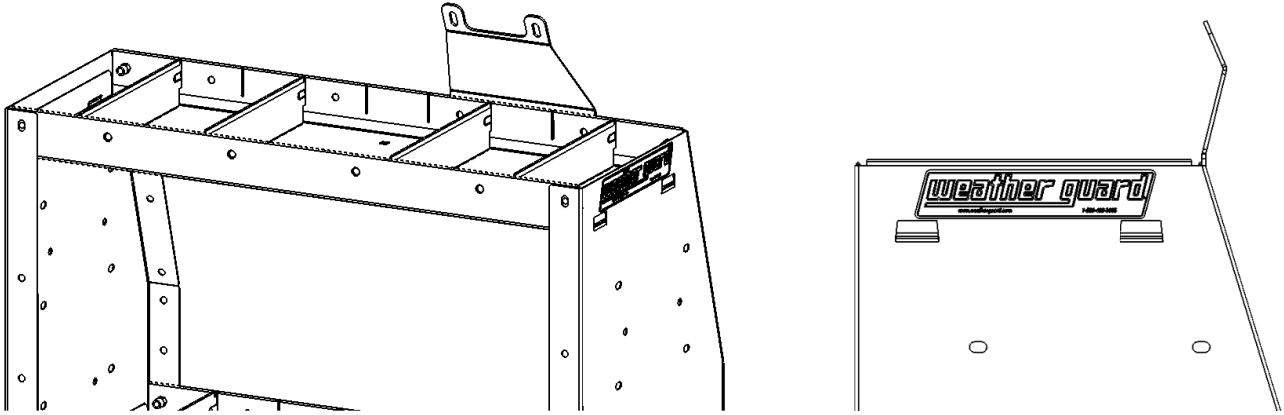


**STEP 9.** Remove the OEM plastic caps from the floor mounting points near the front of the floor. Note that they are used to install WEATHER GUARD® Bulkhead 96112-3-01 or 96512-3-01. The outer most mounting point will be used to install the 28" shelving unit. Be sure to install the bulkhead prior to shelving installation when using WEATHER GUARD® Bulkhead 96112-3-01 or 96512-3-01.

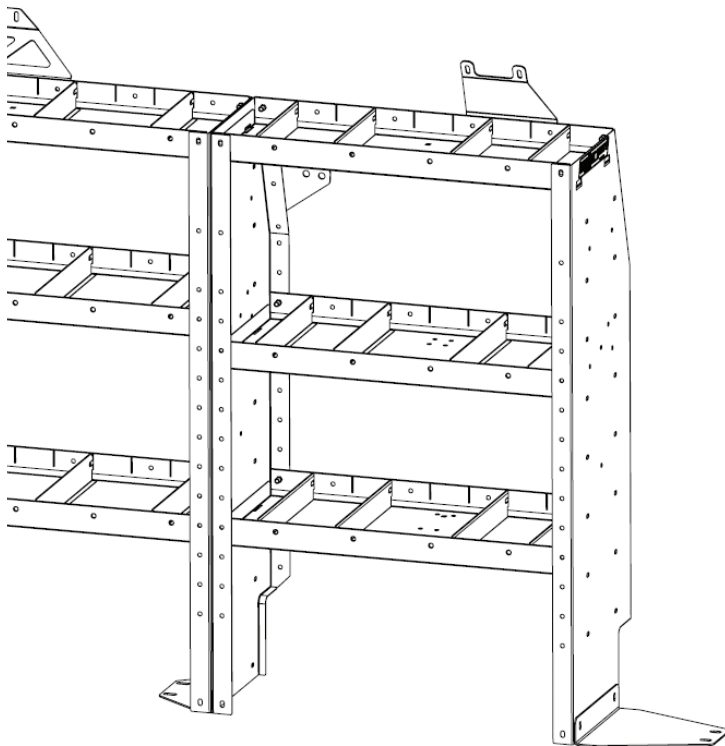


## FRONT SHELVING INSTALLATION INSTRUCTIONS (975205-3-01 and 975206-3-01)

**STEP 10.** Install the Front Upper Bracket to the 28" shelf using (2) M6-1.0 x 16 mm bolts, (2) flat washers, and (2) M6-1.0 lock nuts as shown below. Do not tighten at this time.

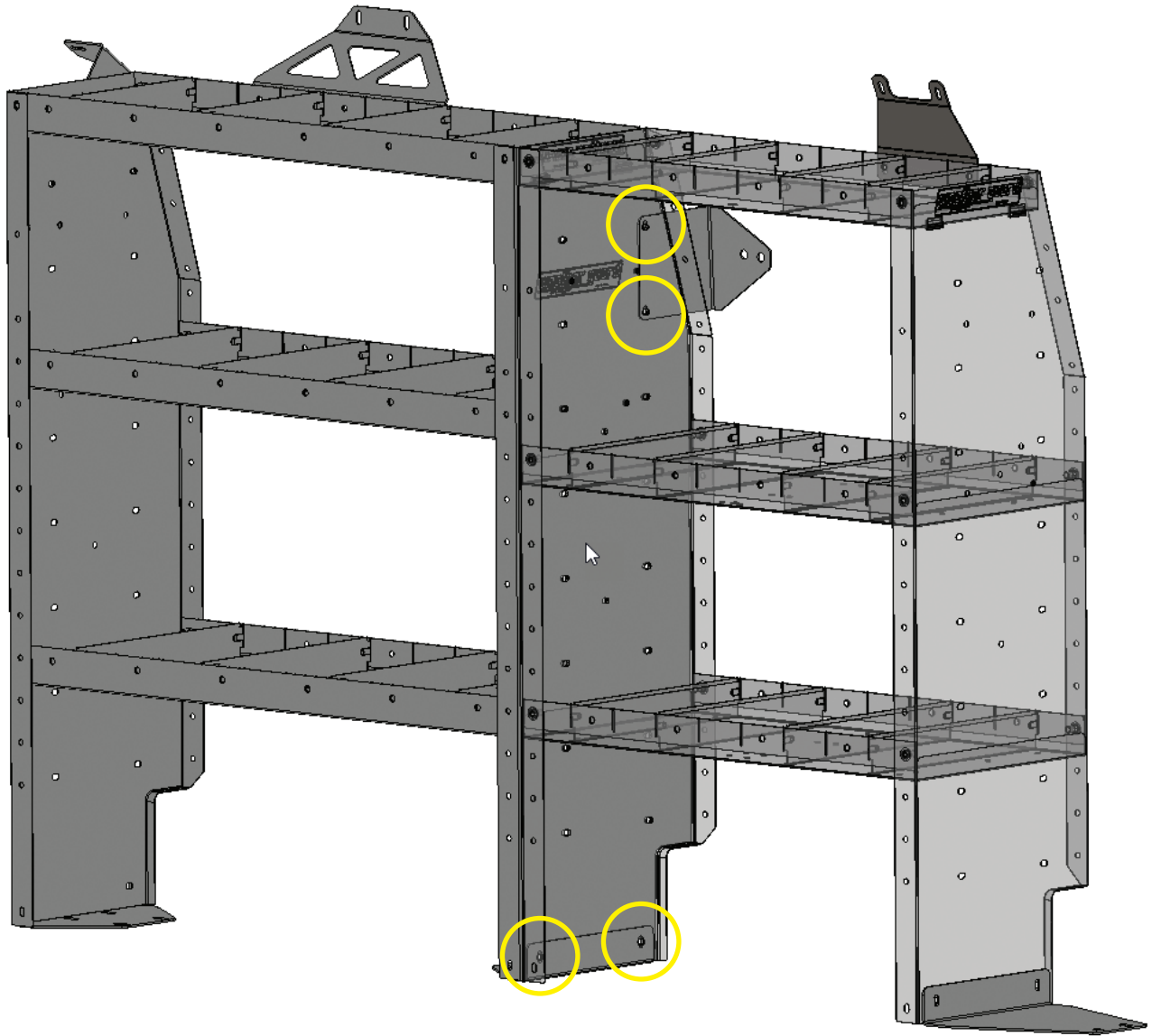


**STEP 11.** Install the Front Mounting Foot to the 28" shelf using (2) M6-1.0 x 16mm bolts, (2) flat washers, and (2) M6-1.0 and place the 28" shelf alongside 36" Rear Shelving unit. Front Mounting Foot will align to the outer most weld nut on the floor. Use a spacer and M8-1.25 x 40mm bolt to secure the Front Mounting Foot to the floor.



## FRONT SHELVING INSTALLATION INSTRUCTIONS (975205-3-01 and 975206-3-01)

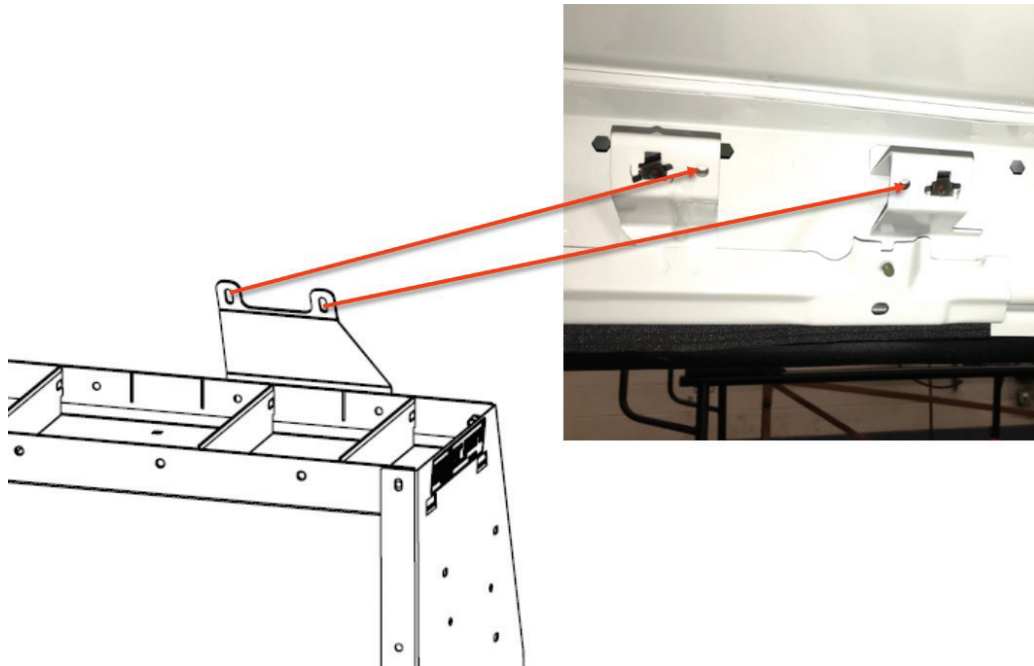
**STEP 12.** Secure the Front and Rear shelving units using (4) M6-1.0 x 16mm bolts, (4) flat washers, and (4) M6-1.0 lock nuts through the previously installed Mid Bracket and 36" Wide Shelf Mounting Foot.





## FRONT SHELVING INSTALLATION INSTRUCTIONS (975205-3-01 and 975206-3-01)

**STEP 13.** Secure the Front Upper Bracket using (2) M6-1.0 x 16 mm bolts, (2) flat washers, and (2) M6-1.0 lock nuts.



**STEP 14.** Loosely assemble L-bracket, 1.25" Spacer, and a Mounting Strap using (2) washers, M6-1.0 x 50mm bolt, and a M6-1.0 lock nut. L-bracket and Mounting Strap are supplied with the shelving unit. Attach the assembly to the threaded stud using a washer and a M6-1.0 Lock Nut. Attach the Mounting Strap to the end panel using M6-1.0 x 16 mm bolt, flat washers, and M6-1.0 lock nut.



## FRONT SHELVING INSTALLATION INSTRUCTIONS (975205-3-01 and 975206-3-01)

**STEP 15.** Check for shelf unit alignment and straightness and after making any adjustments. Tighten the M6 bolts and lock nuts to 10 ft-lbs. using the 10 mm socket and the torque wrench. Tighten the M8 bolts to 15 ft-lbs. using the 13 mm socket and the torque wrench. Tighten the 7/16" bolts to 26 ft-lbs using a 5/8" socket and the torque wrench.

**The installation of WEATHER GUARD® Driver Side Front Shelving Mounting Kit 9752-3-01 into the RAM Promaster City is now complete.**

**Repeat the Steps 7 through 14 for the Curb Side shelving unit.**

## ACCESSORIES AND REPLACEMENT PARTS

PART NO.	Description
9122-3-01	28" x 10.5" Accessory Shelf
9123-3-01	36" x 10.5" Accessory Shelf
9142-3-01	28" x 13.5" Accessory Shelf
9143-3-01	36" x 13.5" Accessory Shelf
9602-3-01	28" x 14.5" Accessory Back Panel
9602-3-02	28" x 8" Accessory Back Panel
9603-3-01	36" x 14.5" Accessory Back Panel
9603-3-02	36" x 8" Accessory Back Panel
9702-3-02	28" Accessory Retainer Lip
9703-3-02	36" Accessory Retainer Lip
72830	Promaster City Bolt Kit for Rear Shelf Mounting Kit
72831	Promaster City Bolt Kit for Side Shelf Mounting Kit

## WARNING

This product is only intended and safe for use in storing and transporting small tools, equipment and other similar materials. These instructions are to be followed using the parts and fasteners supplied for proper installation. Any modifications or improper installation of this product will create a hazardous condition that could result in death, serious personal injury and/or property damage.

All floor mounting bolts near the fuel tank area should be installed from the underside of the vehicle, to guard against the fuel tank being punctured in the event of a collision. This would mean not using Blind Fasteners in this area. Holes in this area should be 5/16". Ensure ample space in roof ribs and sidewall ribs for mounting screws so as not to puncture exterior roof or wall.

Do not install this product where it could interfere with deployment of air bags. Failure to comply could result in death or serious body injury.

## - NOTICE -

Any modification or unintended use of this product shall immediately void all manufacturers warranties. Manufacturer disclaims all liability for injuries to persons or property resulting from any modification to, or unintended use of this product.

## WERNER CO. LIMITED LIFETIME WARRANTY FOR WEATHER GUARD® PRODUCTS

WEATHER GUARD® Products - Limited Lifetime Warranty (Purchased on or after 1/1/2009)

WERNER CO.(the "Manufacturer") warrants to the original purchaser only that WEATHER GUARD® Truck and Van Products (the "WEATHER GUARD® Product") will be free from defects in material and workmanship from the date of purchase and continuing for the expected lifetime of the WEATHER GUARD® Product. A copy of the original sales receipt must be supplied to the Manufacturer at the time a warranty claim is made. This warranty terminates if the original purchaser transfers the WEATHER GUARD® Product to any other person.

### What is Covered

All WEATHER GUARD® Products identified above that are purchased on or after January 1, 2009.

### What We Will Do To Correct Problems

Subject to the limitations and exclusions described in this limited warranty, the Manufacturer will remedy defects in materials or workmanship by providing one of the following remedies at its option and without charge to the original purchaser for parts or labor: (a) repairing the defective portion of the WEATHER GUARD® Product or (b) replacing the entire WEATHER GUARD® Product. In addition, the Manufacturer may elect at its option, not to repair or replace the WEATHER GUARD® Product, but rather issue to the original purchaser a refund equal to the purchase price paid for the WEATHER GUARD® Product or a credit to be used toward the purchase of a new WEATHER GUARD® Product.

### What is Not Covered

This limited warranty expressly excludes:

Defects caused by normal wear and tear, cosmetic rust, scratches, accidents, unlawful vehicle operation, or modification to the product, or any types or repair of a WEATHER GUARD® Product other than those authorized or provided by the Manufacturer.

Defects resulting from conditions beyond the Manufacturer's control including, but not limited to misuse, overloading, or failure to assemble, mount or use the WEATHER GUARD® Product in accordance with the Manufacturer's written instructions or guidelines included with the WEATHER GUARD® Product or made available to the original purchaser.

Damage to the contents of the box or vehicle.

TO THE EXTENT PERMITTED BY LAW, IN NO EVENT SHALL THE MANUFACTURER BE LIABLE FOR ANY INCIDENTAL, SPECIAL, INDIRECT, OR CONSEQUENTIAL DAMAGES, INCLUDING ANY ECONOMIC LOSS, WHETHER RESULTING FROM NONPERFORMANCE, USE, MISUSE OR INABILITY TO USE THE WEATHER GUARD® PRODUCT OR THE MANUFACTURER'S NEGLIGENCE.

### No Other Express Warranty Applies

This Limited Lifetime Warranty is the sole and exclusive warranty for WEATHER GUARD® Products. No employee, agent, dealer, or other person is authorized to alter this warranty or make any other warranty on behalf of WERNER CO.

### Notification Procedures

If the WEATHER GUARD® Product does not conform with the terms of this limited warranty, the original owner must promptly notify the Manufacturer in writing upon discovery of the nonconformity. In order to receive the remedies under this limited warranty, the warranty claim must describe the nature of the nonconformity, and a copy of the original sales receipt, invoice, bill or other proof of purchase must accompany the claim. Repairs or modifications made to the WEATHER GUARD® Product by other than the Manufacturer or its authorized agent will nullify this limited warranty. Coverage under this limited warranty is conditioned at all times upon the owner's compliance with these required notification and repair procedures. Warranty claims must include reciprocal contact information and may be made via certified mail to:

#### WERNER CO.

ATTN: Weather Guard® Warranty Claims  
555 Pierce Road, STE 300 • Itasca, IL 60143 USA

[weatherguard.com](http://weatherguard.com)

If you have any questions, please call toll free at 1-800-456-7865

