



VAN STORAGE SOLUTIONS

FOR THE WAY YOU WORK™

INSTALLATION MANUAL

BULKHEAD FOR MERCEDES METRIS

Model Number 96113-3-01 and 96513-3-01

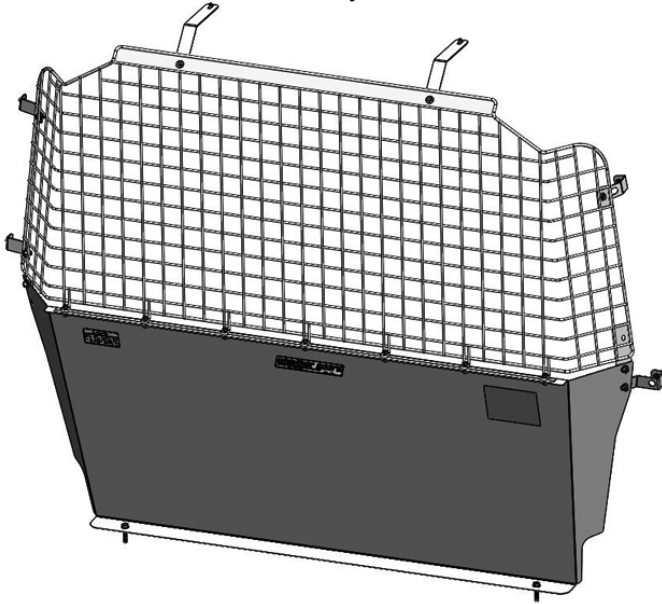
WEATHERGUARD.COM

ATTENTION: PLEASE READ AND UNDERSTAND ALL INSTRUCTIONS AND WARNINGS BEFORE ASSEMBLING, INSTALLING OR USING THIS PRODUCT.

FOR ELECTRIC VEHICLES – Drilling into electrical wiring may damage vehicle systems and may cause bodily harm. This equipment should be installed by qualified personnel familiar with this type of vehicle and the hazards involved. To prevent damage to components underneath the floor, mainly the battery and high voltage system components, refer to your vehicle manufacturer’s instructions or the manufacturer’s website for more information.

! PLAN YOUR VAN (TIPS FOR FASTER INSTALLATION)

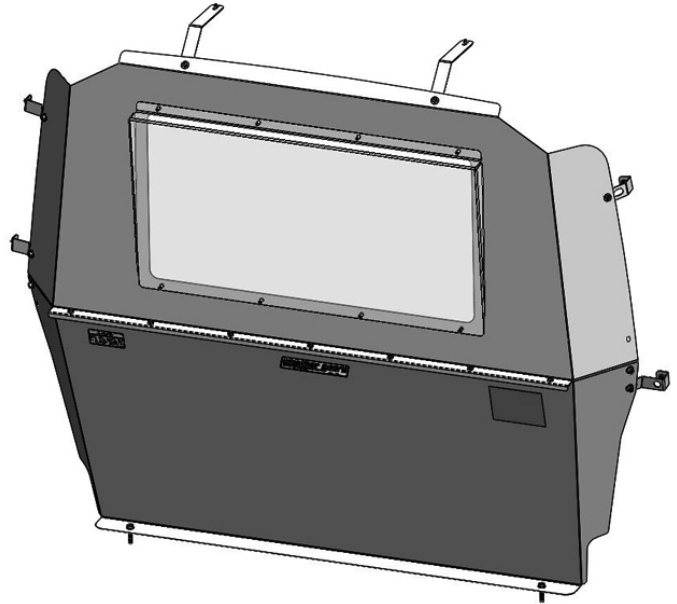
- Installing your WEATHER GUARD® Bulkhead for the Mercedes Metris is very clear cut following these instructions.
- This installation will only use exiting mounting points.
- This installation will only use metric hardware.



96113-3-01

BOLT KIT

DESCRIPTION	QTY.
M6-1.0 x 12mm Serrated Bolt	14
M6-1.0 x 20mm Serrated Bolt	7
M6-1.0 x 50mm Bolt	1
M8-1.25 x 40mm Serrated Bolt	2
M6-1.0 Lock Nut	15
M6 Blind Fastener	4
Blind Fastener Installation Tool	1
Flat Washer	15



96513-3-01

TOOLS REQUIRED

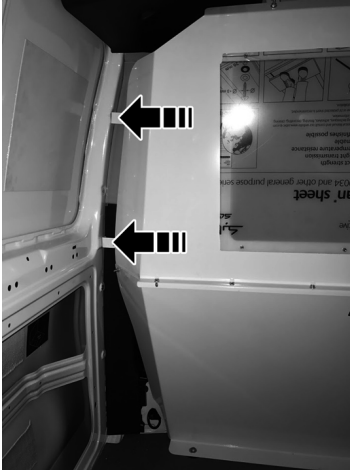
- 1/4" Ratchet Driver
- 3/8" Ratchet Driver
- 9/16" Socket
- 7/16" Wrench
- 13mm Wrench
- 10mm Socket (1/4" Drive)
- 13mm Socket (3/8" Drive)
- Utility Knife
- Torx Bit Set
- Electric Drill Driver
- 3/8" Drill Bit
- Rotary trimming tool (Optional)

INSTALLATION INSTRUCTIONS

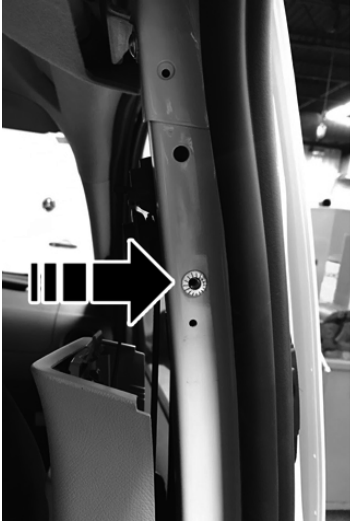
STEP 1: Loosen the passenger side B-pillar trims.

STEP 2: Remove foam blocks on upper corners behind the headliner.

STEP 3: Open up four of the specified holes on driver side side wall and passenger side B-pillar using a 3/8" drill bit.

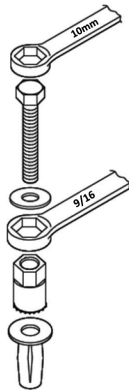


Note: The mounting hole locations are shown with the bulkhead and blind fastener for reference. The bulkhead should not be in the vehicle at this point. (Clockwise from the top - Driver side, upper passenger side, lower passenger side.)



STEP 4: Install blind fasteners in the holes prepped in step 3.

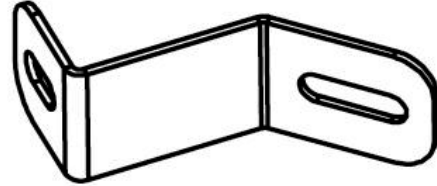
Place a drop of oil on the M6-1.0 x 50mm black oxide bolt before assembling as shown. Place the Blind Fastener in the hole and use a 10mm wrench to tighten black hex bolt until the Blind Fastener is fully seated. When setting black hex bolt, it will start out hard. As the Blind Fastener "bulbs" out it will get easier, until it bottoms out or sets. Make sure the Blind Fastener and Installation Tool does not turn during installation.



STEP 5: Remove the two M8-1.25 torx bolts on the floor using T45 torx bit. Place 1/2" spacers in each location.

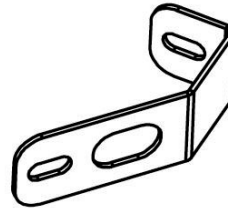


STEP 6: Install driver side brackets to the blind fasteners on driver side wall using two M6-1.0 x 12mm bolts.

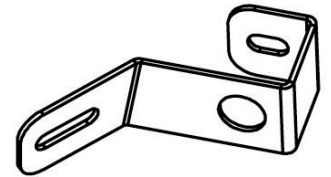


Driver Side Bracket

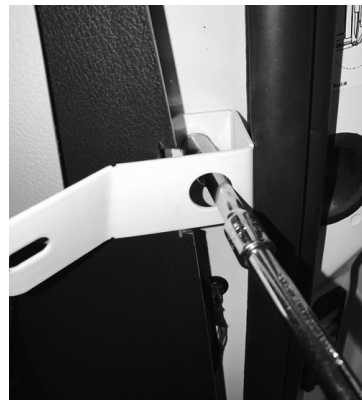
STEP 7: Install passenger side upper and lower brackets to the blind fasteners on the passenger side B-pillar using two M6-1.0 x 12mm bolts.



Passenger Side Upper Bracket



Passenger Side Lower Bracket



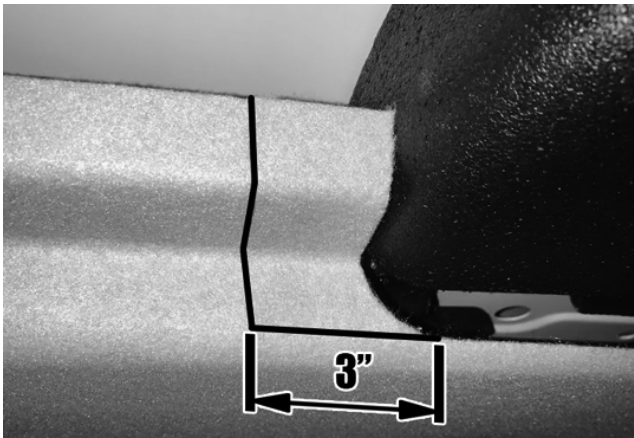
Note: Insert the 10mm socket through the hole on the upper and lower passenger side bracket to tighten down the M6-1.0 x 12mm bolt.

INSTALLATION INSTRUCTIONS

STEP 8 (Optional): Cut 1.25" x 0.25" notches on the passenger side B-pillar trim using a rotary cutting tool to perform cleaner installation.



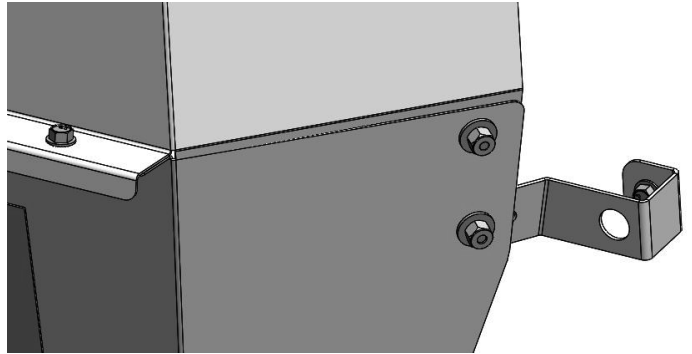
STEP 9: Cut the inner corners of the headliner using a utility knife as shown. This will make clearance for header brackets.



STEP 10: Pull down the magnetized headliner to install header brackets to roof reinforcement using M6-1.0 x 12mm bolts.

STEP 11: Assemble the bulkhead. Use seven M6-1.0 x 20mm bolts, washers, and locknuts in the center section. Overlap the bottom of the upper panel side wing to the cockpit side. Use one M6-1.0 x 12mm bolt, washer, and locknut on each side.

IMPORTANT Install the side bolts such that the thread side of the bolt is facing the cargo of the Metris.



STEP 12: Place the bulkhead inside the Metris and mount to the floor using two M8-1.25 x 40mm bolts.

STEP 13: Attach to side and header brackets using M6-1.0 x 12mm bolts, washers, and nuts.

IMPORTANT Install the side bolts such that the thread side of the bolt is facing the cargo of the Metris.

STEP 14: Torque all M6 bolts to 7 ft-lb and M8 bolts to 17 ft-lb.

STEP 15: Reinstall B-pillar trims, weather sealing strip, and foam blocks.



WARNING

This product can reduce the driver's ability to clearly see roadways, vehicular or pedestrian traffic and other objects through the rear and side windows of the vehicle, which can cause an accident. Extra precautions should be taken when driving a vehicle with this product. Make all adjustments necessary to ensure maximum visibility, including but not limited to, changing mirror and seating positions. State and local laws may prohibit obstruction of windows in a moving vehicle.

These instructions are to be followed using the parts and fasteners supplied for proper installation. Any modifications or improper installation of this product will create a hazardous condition that could result in death, serious personal injury and/or property damage.

CAUTION

Prior to drilling, so as not to cut electric wires, fuel lines, brake lines, etc., check behind and underneath drilling and mounting locations. To keep debris out of your eyes when checking the underside of the vehicle, or when drilling, always wear protective eye wear. Failure to heed this warning will result in death or serious injury.

– NOTICE –

Any modification or unintended use of this product shall immediately void all manufacturers warranties. Manufacturer disclaims all liability for injuries to persons or property resulting from any modification to, or unintended use of this product.

WERNER CO. LIMITED LIFETIME WARRANTY FOR WEATHER GUARD® PRODUCTS

WEATHER GUARD® Products — Limited Lifetime Warranty
(Purchased on or after 1/1/2009)

Werner Co. (the "Manufacturer") warrants to the original purchaser only that WEATHER GUARD® Truck and Van Products (the "WEATHER GUARD® Product") will be free from defects in material and workmanship from the date of purchase and continuing for the expected lifetime of the WEATHER GUARD® Product. A copy of the original sales receipt must be supplied to the Manufacturer at the time a warranty claim is made. This warranty terminates if the original purchaser transfers the WEATHER GUARD® Product to any other person.

What is Covered

All WEATHER GUARD® Products identified above that are purchased on or after January 1, 2009.

What We Will Do to Correct Problems

Subject to the limitations and exclusions described in this limited warranty, the Manufacturer will remedy defects in materials or workmanship by providing one of the following remedies at its option and without charge to the original purchaser for parts or labor: (a) repairing the defective portion of the WEATHER GUARD® Product or (b) replacing the entire WEATHER GUARD® Product. In addition, the manufacturer may elect at its option, not to repair or replace the WEATHER GUARD® Product, but rather issue to the original purchaser a refund equal to the purchase price paid for the WEATHER GUARD® Product or a credit to be used toward the purchase of new WEATHER GUARD® Product.

What is Not Covered

This limited warranty expressly excludes:

- Defects caused by normal wear and tear, cosmetic rust, scratches, accidents, unlawful vehicle operation, or modification to the product, or any types or repair of a WEATHER GUARD® Product other than those authorized or provided by the Manufacturer.
- Defects resulting from conditions beyond the Manufacturer's control including, but not limited to misuse, overloading, or failure to assemble, mount or use the WEATHER GUARD® Product in accordance with the Manufacturer's written instructions or guidelines included with the WEATHER GUARD® Product or made available to the original purchaser.
- Damage to the contents of the box or vehicle.
- TO THE EXTENT PERMITTED BY LAW, IN NO EVENT SHALL THE MANUFACTURER BE LIABLE FOR ANY INCIDENTAL, SPECIAL, INDIRECT, OR CONSEQUENTIAL DAMAGES, INCLUDING ANY ECONOMIC LOSS, WHETHER RESULTING FROM NONPERFORMANCE, USE, MISUSE OR INABILITY TO USE THE WEATHER GUARD® PRODUCT OR THE MANUFACTURER'S NEGLIGENCE.

No Other Express Warranty Applies

This Limited Lifetime Warranty is the sole and exclusive warranty for WEATHER GUARD® products. No employee, agent, dealer, or other person is authorized to alter this warranty or make any other warranty on behalf of Werner Co.

Notification Procedures

If the WEATHER GUARD® Product does not conform with the terms of this limited warranty, the original owner must promptly notify the Manufacturer in writing upon discovery of the nonconformity. In order to receive the remedies under this limited warranty, the warranty claim must describe the nature of the nonconformity, and a copy of the original sales receipt, invoice, bill or other proof of purchase must accompany the claim. Repairs or modifications made to the WEATHER GUARD® Product by other than the Manufacturer or its authorized agent will nullify this limited warranty. Coverage under this limited warranty is conditioned at all times upon the owner's compliance with these required notification and repair procedures. Warranty claims must include reciprocal contact information and may be made via certified mail to:

WERNER CO.

ATTN: Weather Guard® Warranty Claims
555 Pierce Road, STE 300 • Itasca, IL 60143 USA



weatherguard.com

If you have any questions, please call toll free at 1-800-456-7865