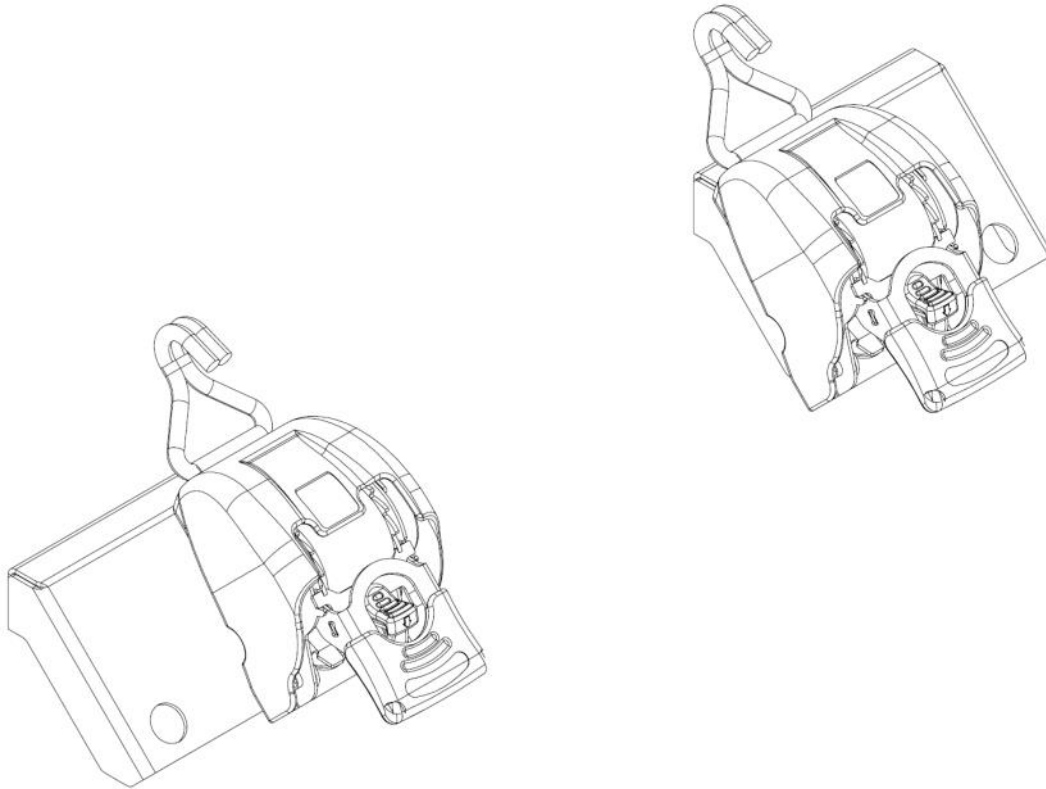




VAN STORAGE SOLUTIONS

FOR THE WAY YOU WORK™

**INSTALLATION INSTRUCTIONS for
VAN RATCHET STRAP ACCESSORY**



MODEL 23101

Weather Guard / KNAACK
420 E. Terra Cotta Ave.
Crystal Lake, IL 60014 USA

800-456-7865 (Toll Free)
800-334-2981 (Fax)
Knaack.OrderEntry@wernerco.com

Weather Guard / KNAACK
9133 Leslie St. Unit 105
Richmond Hill, ON L4B4N1

888-562-2251 (Toll Free)
888-456-8460 (Fax)
Knaack.OrderEntry.Canada@wernerco.com

ATTENTION: PLEASE READ AND UNDERSTAND ALL INSTRUCTIONS AND WARNINGS

INSTALLATION GUIDELINES

- WEATHER GUARD® van ratchet strap accessory is designed to assemble to a WEATHER GUARD® ladder rack and assist in tying down ladders on the rack. If you have not already installed the rack, do so now before proceeding.
- Perform the installation on a level surface.
- Always wear protective eyewear to keep debris out of your eyes when installing WEATHER GUARD® Van Products.
- Tighten all 1/2" hardware to 57 ft-lb when ready.
- **This product is designed and intended for installation to WEATHER GUARD® Steel Van Racks (SVR) and associated accessory crossmembers (20501, 21501, 22001, 22002, 22101, 22102, & 22501) and WEATHER GUARD® Chevy Express/GMC Savana Steel Racks and associated accessory crossmembers (205, 216, & 2056)**

OPERATION GUIDELINES

- Any modifications made to this product, or use of this product for any other purpose than its intended use, could create a hazardous condition that can cause serious personal injury or property damage.
- **At the end of the first week of use, check all of the fasteners for proper tightness and then check every three months thereafter.**

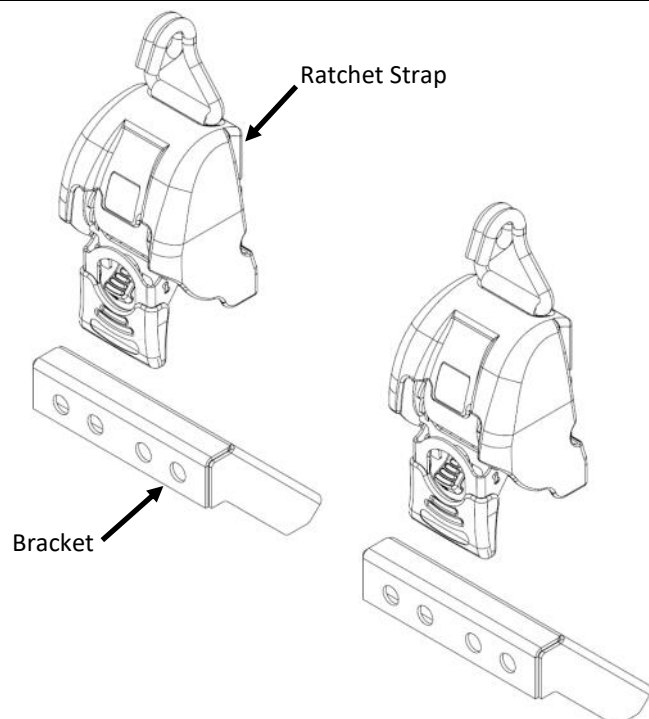
HARDWARE KIT

DESCRIPTION	QTY
1/2"-13 Nylon Lock Nut	6
1/2"-13 x 1" Bolt	6
1/2" Washer	12

TOOLS REQUIRED	
3/4" Socket	Ratchet
3/4" Wrench	Torque Wrench

PARTS LIST

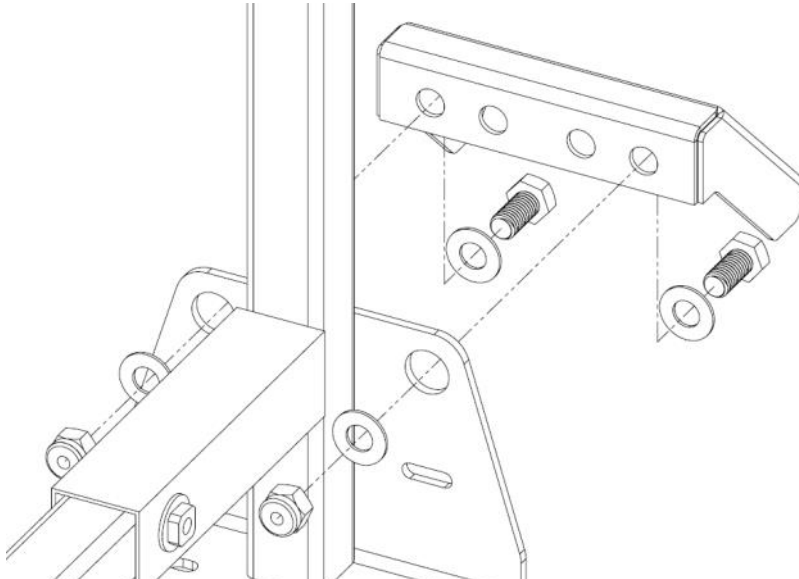
DESCRIPTION	QTY
Ratchet Strap	2
Bracket	2



RATCHET STRAP BRACKET INSTALLATION INSTRUCTIONS

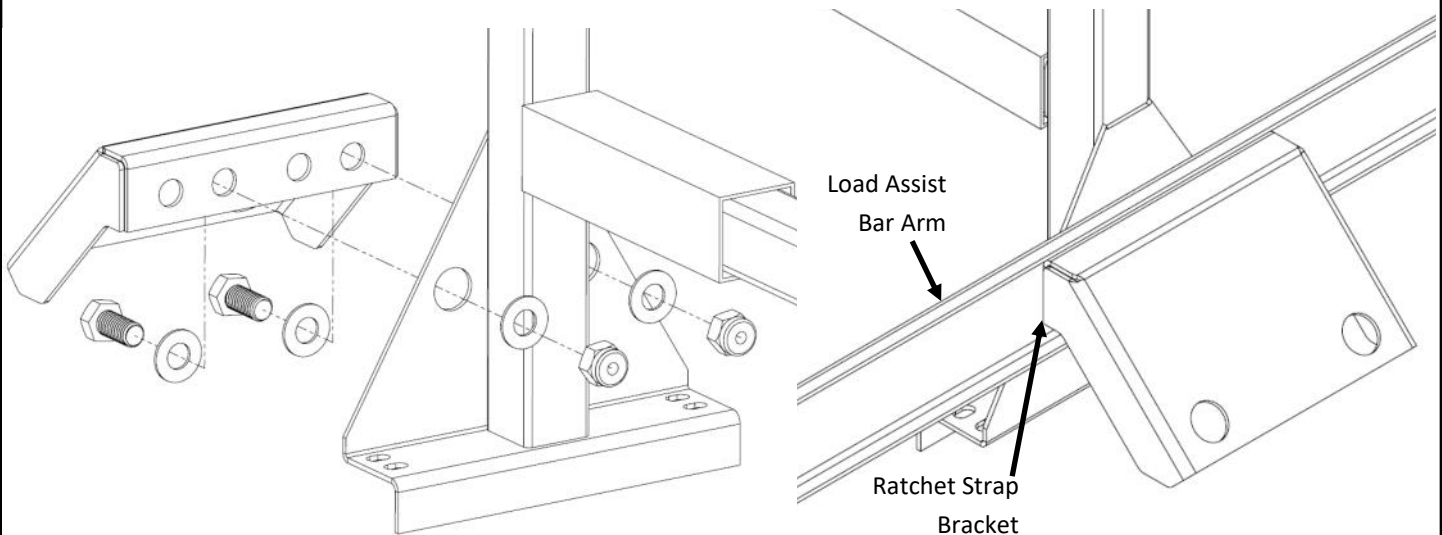
STEP 1a. Attach Brackets to SVR Stand

- Attach and tighten a Bracket to the circular holes in the desired stands (suggested: front and rear passenger side stands) using a 1/2"-13 bolt, (2) 1/2" washers, and a 1/2"-13 nylon lock nut through each of the outer Bracket holes as shown below.
 - Note: If installing with a load assist bar accessory, the final load bar arm and ratchet strap Bracket positions may need to be adjusted to ensure that the rear door clears the load assist bar.



STEP 1b. Attach Brackets to Express/Savana Rack Stand (205/216/2056)

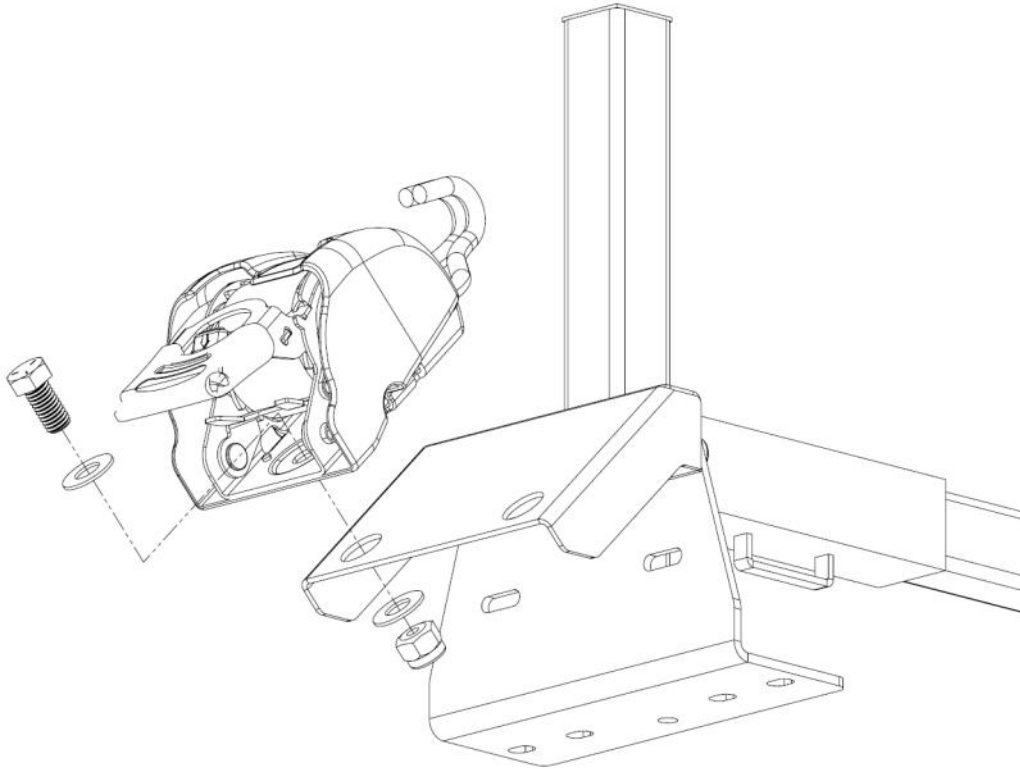
- Attach and tighten a Bracket to the holes in the desired stands (suggested: front and rear passenger side stands) using a 1/2"-13 bolt, (2) 1/2" washers, and a 1/2"-13 nylon lock nut through one outer and one inner Bracket hole as shown in the left image below.
- The Bracket will be off-center. Offset the Bracket toward the side that the Ratchet Strap will be installed on (in the orientation shown in the left image below, the Ratchet Strap will be installed on the left end of the Bracket).
 - Note: If installing with a load assist bar accessory, the ratchet strap Bracket will mount within the load assist bar arm as shown in the right image below and the two will share mounting hardware.



RATCHET STRAP INSTALLATION INSTRUCTIONS

STEP 2. Attach Ratchet Straps to Brackets

- Attach and tighten a Ratchet Strap to one of the holes in each Bracket (suggested locations: one behind the front crossmember and one in front of the rear crossmember) using a 1/2"-13 bolt, (2) 1/2" washers, and a 1/2"-13 nylon lock nut as shown below.
 - Note: The remaining open hole in the Bracket can be used as a receiver for the Ratchet Strap's hook when tying a load down.



 **WARNING**

This product can reduce the driver's ability to clearly see roadways, vehicular or pedestrian traffic and other objects through the rear and side windows of the vehicle, which can cause an accident. Extra precautions should be taken when driving a vehicle with this product. Make all adjustments necessary to ensure maximum visibility, including but not limited to, changing mirror and seating positions. State and local laws may prohibit obstruction of windows in a moving vehicle.

These instructions are to be followed using the parts and fasteners supplied for proper installation. Any modifications or improper installation of this product will create a hazardous condition that could result in death, serious personal injury and/or property damage.

- NOTICE -

Any modification or unintended use of this product shall immediately void all manufacturer's warranties. Manufacturer disclaims all liability for injuries to persons or property resulting from any modification to, or unintended use of this product.

WERNER CO. LIMITED LIFETIME WARRANTY FOR WEATHER GUARD® PRODUCTS

WEATHER GUARD® Products — Limited Lifetime Warranty (Purchased on or after 1/1/2009)

WERNER CO. (the "Manufacturer") warrants to the original purchaser only that WEATHER GUARD® Truck and Van Products (the "WEATHER GUARD® Product") will be free from defects in material and workmanship from the date of purchase and continuing for the expected lifetime of the WEATHER GUARD® Product. A copy of the original sales receipt must be supplied to the Manufacturer at the time a warranty claim is made. This warranty terminates if the original purchaser transfers the WEATHER GUARD® Product to any other person.

What is Covered

All WEATHER GUARD® Products identified above that are purchased on or after January 1, 2009.

What We Will Do to Correct Problems

Subject to the limitations and exclusions described in this limited warranty, the Manufacturer will remedy defects in materials or workmanship by providing one of the following remedies at its option and without charge to the original purchaser for parts or labor: (a) repairing the defective portion of the WEATHER GUARD® Product or (b) replacing the entire WEATHER GUARD® Product. In addition, the manufacturer may elect at its option, not to repair or replace the WEATHER GUARD® Product, but rather issue to the original purchaser a refund equal to the purchase price paid for the WEATHER GUARD® Product or a credit to be used toward the purchase of new WEATHER GUARD® Product.

What is Not Covered

This limited warranty expressly excludes:

- Defects caused by normal wear and tear, cosmetic rust, scratches, accidents, unlawful vehicle operation, or modification to the product, or any types or repair of a WEATHER GUARD® Product other than those authorized or provided by the Manufacturer.
- Defects resulting from conditions beyond the Manufacturer's control including, but not limited to misuse, overloading, or failure to assemble, mount or use the WEATHER GUARD® Product in accordance with the Manufacturer's written instructions or guidelines included with the WEATHER GUARD® Product or made available to the original purchaser.
- Damage to the contents of the box or vehicle.
- TO THE EXTENT PERMITTED BY LAW, IN NO EVENT SHALL THE MANUFACTURER BE LIABLE FOR ANY INCIDENTAL, SPECIAL, INDIRECT, OR CONSEQUENTIAL DAMAGES, INCLUDING ANY ECONOMIC LOSS, WHETHER RESULTING FROM NON-PERFORMANCE, USE, MISUSE OR INABILITY TO USE THE WEATHER GUARD® PRODUCT OR THE MANUFACTURER'S NEGLIGENCE.

No Other Express Warranty Applies

This Limited Lifetime Warranty is the sole and exclusive warranty for WEATHER GUARD® Products. No employee, agent, dealer, or other person is authorized to alter this warranty or make any other warranty on behalf of WERNER CO.

Notification Procedures

If the WEATHER GUARD® Product does not conform with the terms of this limited warranty, the original owner must promptly notify the Manufacturer in writing upon discovery of the nonconformity. In order to receive the remedies under this limited warranty, the warranty claim must describe the nature of the nonconformity, and a copy of the original sales receipt, invoice, bill or other proof of purchase must accompany the claim. Repairs or modifications made to the WEATHER GUARD® Product by other than the Manufacturer or its authorized agent will nullify this limited warranty. Coverage under this limited warranty is conditioned at all times upon the owner's compliance with these required notification and repair procedures. Warranty claims must include reciprocal contact information and may be made via certified mail to:

WERNER CO. ATTN: Warranty Claims
420 E. Terra Cotta Avenue Crystal Lake, IL 60014
If you have any questions, please call toll free at 1-800-456-7865.
©2018 WERNER CO.

