



VAN STORAGE SOLUTIONS
FOR THE WAY YOU WORK™

INSTALLATION MANUAL

BULKHEAD FOR CHEVY CITY EXPRESS / NISSAN NV200
Model Number 96114-3-01 and 96514-3-01

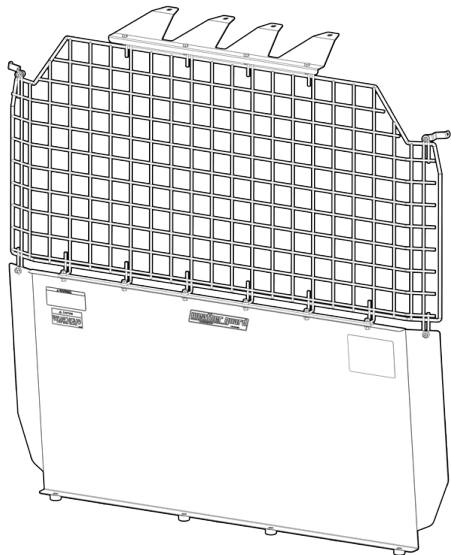
WEATHERGUARD.COM

ATTENTION: PLEASE READ AND UNDERSTAND ALL INSTRUCTIONS AND WARNINGS BEFORE ASSEMBLING, INSTALLING OR USING THIS PRODUCT.

FOR ELECTRIC VEHICLES – Drilling into electrical wiring may damage vehicle systems and may cause bodily harm. This equipment should be installed by qualified personnel familiar with this type of vehicle and the hazards involved. To prevent damage to components underneath the floor, mainly the battery and high voltage system components, refer to your vehicle manufacturer’s instructions or the manufacturer’s website for more information.

! PLAN YOUR VAN (TIPS FOR FASTER INSTALLATION)

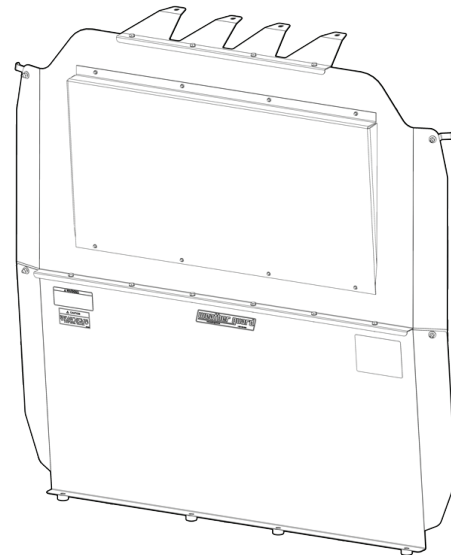
- Installing your WEATHER GUARD® Bulkhead for the Chevy City Express / Nissan NV200 is very clear cut following these instructions.
- This installation will not require cutting or drilling any sheet metal on the vehicle.
- A template will be included to locate the roof mounting points without removing the head liner.



96114-3-01

BOLT KIT

DESCRIPTION	QTY.
1/4-20 x 1-1/4" Hex Head Bolts	14
1/4-20 Nylon Lock Nuts	14
M8-1.25 x 25mm Hex Head Bolts	8
1/4" Flat Washers	14
Floor Mounting Spacers	4
Top Mounting Template	1



96514-3-01

TOOLS REQUIRED

- Utility Knife
- Pencil or Marker
- 3/8" Ratchet Driver
- 7/16" Socket
- 7/16" Wrench
- 13mm Socket

INSTALLATION INSTRUCTIONS

NOTE: BULKHEAD BASE will lean slightly toward rear of the van.

STEP 1: Locate the ten attachment points on the van (FIGURE 1) There are four on the floor, one on each side of the B-pillars (under the SRS caps towards the rear of the van), and four on the roof of the vehicle (under the head liner).

*** REMOVING THE SRS CAP DOES NOT INTERFERE WITH THE AIRBAG SYSTEM**

STEP 2: Remove the three “Christmas Tree” fasteners from the head liner (FIGURE 2) and use the included mounting template as instructed (Instruction on the template).

STEP 3: Fasten the base panel, top panel, and header panel using 1/4-20 x 1-1/4” bolts, washer and lock nut.

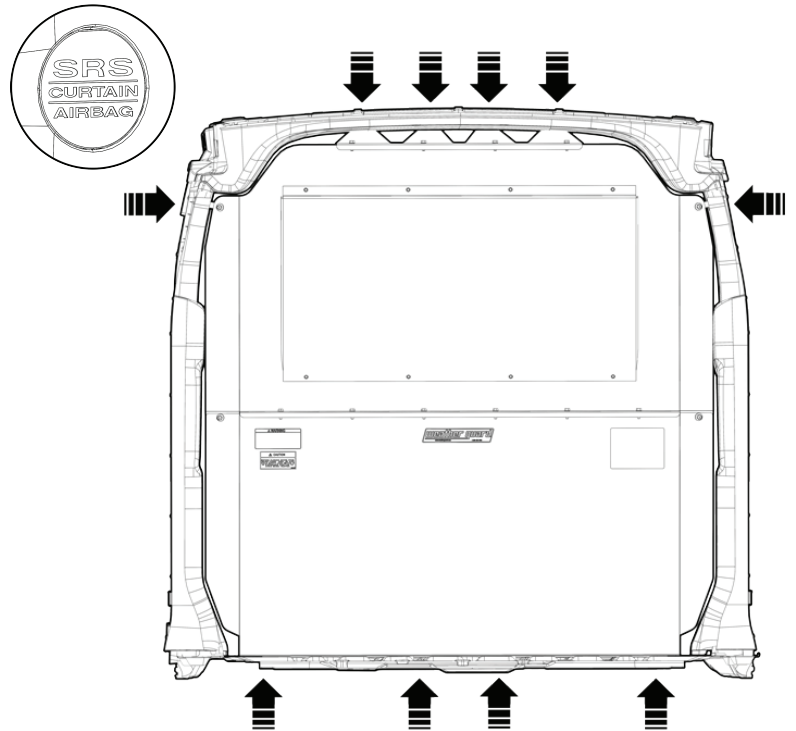


FIGURE 1. FACTORY MOUNTING LOCATIONS
(SEEN FROM THE REAR)

***USE AUTOMOTIVE FASTENER REMOVAL TOOL OR FLAT HEAD SCREW DRIVER (NOT INCLUDED) TO REMOVE THE X-MAS TREE FASTENERS.**

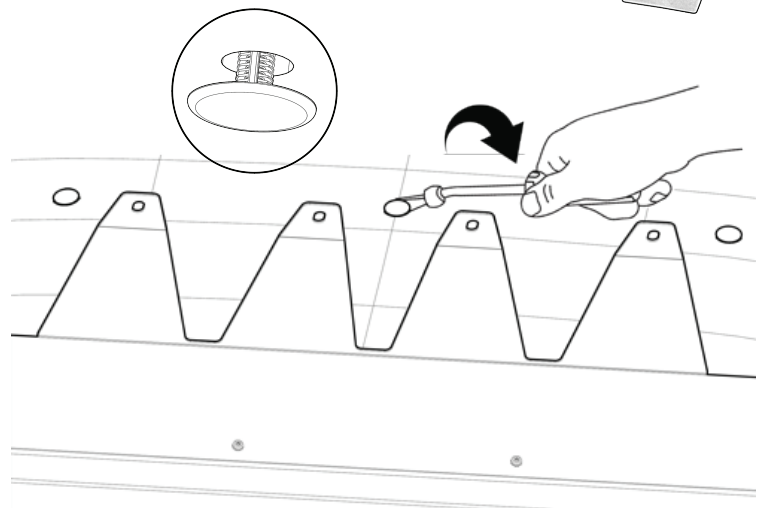
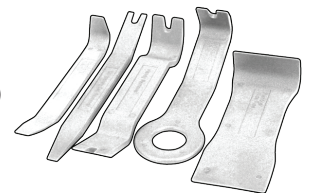


FIGURE 2. X-MAS TREE FASTENER REMOVAL

INSTALLATION INSTRUCTIONS

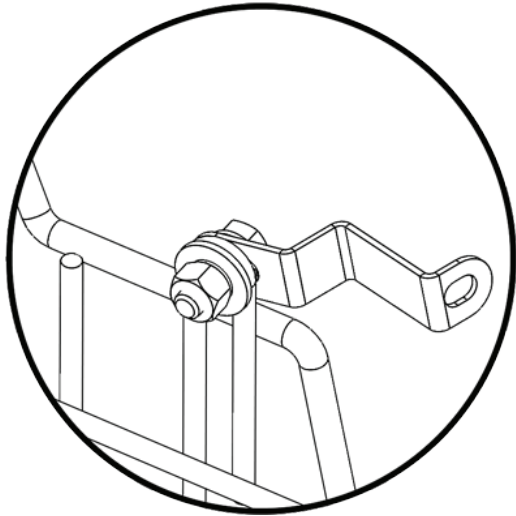


FIGURE 3. BRACKET (MESH)

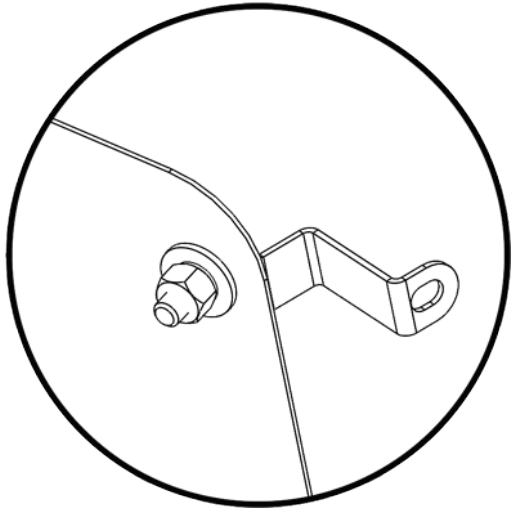


FIGURE 4. BRACKET (WINDOW)

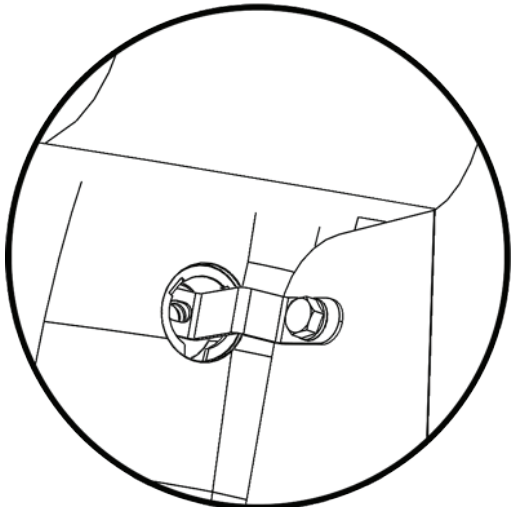


FIGURE 5. DRIVER'S POV

STEP 4: Mount the bulkhead to the floor using the provided 1/2" spacers. Factory D-rings can be used on top of the WEATHER GUARD® bulkhead.

STEP 5: Loosely mount the side brackets to the bulkhead (FIGURES 3, 4) and fasten to the B-pillars using the factory M8 x 1.25 bolts (FIGURE 5).

STEP 6: Mount the header bracket to the roof of the vehicle and install the factory M8 x 1.25 bolts.

STEP 7: Align the bulkhead as needed and tighten all bolts and nuts.

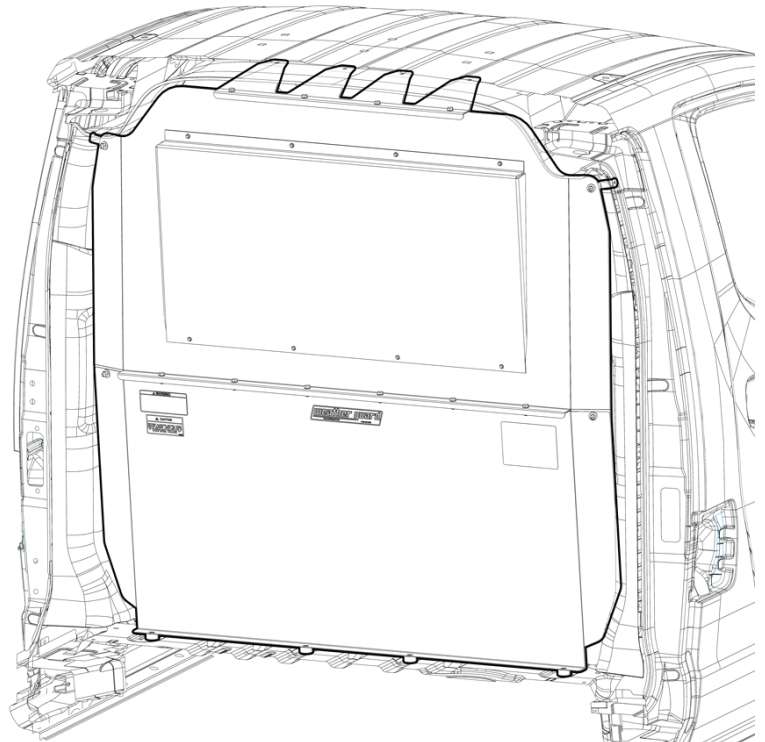


FIGURE 6. INSTALLED

WARNING

This product can reduce the driver's ability to clearly see roadways, vehicular or pedestrian traffic and other objects through the rear and side windows of the vehicle, which can cause an accident. Extra precautions should be taken when driving a vehicle with this product. Make all adjustments necessary to ensure maximum visibility, including but not limited to, changing mirror and seating positions. State and local laws may prohibit obstruction of windows in a moving vehicle.

These instructions are to be followed using the parts and fasteners supplied for proper installation. Any modifications or improper installation of this product will create a hazardous condition that could result in death, serious personal injury and/or property damage.

CAUTION

Prior to drilling, so as not to cut electric wires, fuel lines, brake lines, etc., check behind and underneath drilling and mounting locations. To keep debris out of your eyes when checking the underside of the vehicle, or when drilling, always wear protective eye wear. Failure to heed this warning will result in death or serious injury.

– NOTICE –

Any modification or unintended use of this product shall immediately void all manufacturers warranties. Manufacturer disclaims all liability for injuries to persons or property resulting from any modification to, or unintended use of this product.

WERNER CO. LIMITED LIFETIME WARRANTY FOR WEATHER GUARD® PRODUCTS

WEATHER GUARD® Products — Limited Lifetime Warranty
(Purchased on or after 1/1/2009)

Werner Co. (the "Manufacturer") warrants to the original purchaser only that WEATHER GUARD® Truck and Van Products (the "WEATHER GUARD® Product") will be free from defects in material and workmanship from the date of purchase and continuing for the expected lifetime of the WEATHER GUARD® Product. A copy of the original sales receipt must be supplied to the Manufacturer at the time a warranty claim is made. This warranty terminates if the original purchaser transfers the WEATHER GUARD® Product to any other person.

What is Covered

All WEATHER GUARD® Products identified above that are purchased on or after January 1, 2009.

What We Will Do to Correct Problems

Subject to the limitations and exclusions described in this limited warranty, the Manufacturer will remedy defects in materials or workmanship by providing one of the following remedies at its option and without charge to the original purchaser for parts or labor: (a) repairing the defective portion of the WEATHER GUARD® Product or (b) replacing the entire WEATHER GUARD® Product. In addition, the manufacturer may elect at its option, not to repair or replace the WEATHER GUARD® Product, but rather issue to the original purchaser a refund equal to the purchase price paid for the WEATHER GUARD® Product or a credit to be used toward the purchase of new WEATHER GUARD® Product.

What is Not Covered

This limited warranty expressly excludes:

- Defects caused by normal wear and tear, cosmetic rust, scratches, accidents, unlawful vehicle operation, or modification to the product, or any types or repair of a WEATHER GUARD® Product other than those authorized or provided by the Manufacturer.
- Defects resulting from conditions beyond the Manufacturer's control including, but not limited to misuse, overloading, or failure to assemble, mount or use the WEATHER GUARD® Product in accordance with the Manufacturer's written instructions or guidelines included with the WEATHER GUARD® Product or made available to the original purchaser.
- Damage to the contents of the box or vehicle.
- TO THE EXTENT PERMITTED BY LAW, IN NO EVENT SHALL THE MANUFACTURER BE LIABLE FOR ANY INCIDENTAL, SPECIAL, INDIRECT, OR CONSEQUENTIAL DAMAGES, INCLUDING ANY ECONOMIC LOSS, WHETHER RESULTING FROM NONPERFORMANCE, USE, MISUSE OR INABILITY TO USE THE WEATHER GUARD® PRODUCT OR THE MANUFACTURER'S NEGLIGENCE.

No Other Express Warranty Applies

This Limited Lifetime Warranty is the sole and exclusive warranty for WEATHER GUARD® products. No employee, agent, dealer, or other person is authorized to alter this warranty or make any other warranty on behalf of Werner Co.

Notification Procedures

If the WEATHER GUARD® Product does not conform with the terms of this limited warranty, the original owner must promptly notify the Manufacturer in writing upon discovery of the nonconformity. In order to receive the remedies under this limited warranty, the warranty claim must describe the nature of the nonconformity, and a copy of the original sales receipt, invoice, bill or other proof of purchase must accompany the claim. Repairs or modifications made to the WEATHER GUARD® Product by other than the Manufacturer or its authorized agent will nullify this limited warranty. Coverage under this limited warranty is conditioned at all times upon the owner's compliance with these required notification and repair procedures. Warranty claims must include reciprocal contact information and may be made via certified mail to:

WERNER CO.

ATTN: Weather Guard® Warranty Claims
555 Pierce Road, STE 300 • Itasca, IL 60143 USA

weatherguard.com

If you have any questions, please call toll free at 1-800-456-7865

