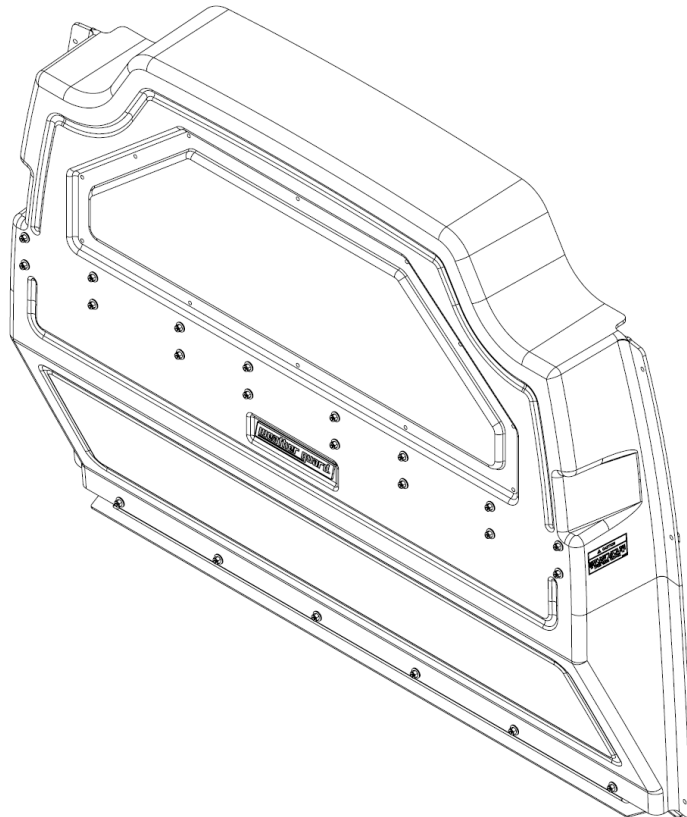




VAN STORAGE SOLUTIONS
FOR THE WAY YOU WORK™

CAB/MAX™
COMPOSITE BULKHEAD

**INSTALLATION INSTRUCTIONS for
FORD TRANSIT CONNECT
COMPOSITE BULKHEAD**



MODEL 96501-3-01

Weather Guard / KNAACK
420 E. Terra Cotta Ave.
Crystal Lake, IL 60014 USA

800-456-7865 (Toll Free)
800-334-2981 (Fax)
Knaack.OrderEntry@wernerco.com

Weather Guard / KNAACK
9133 Leslie St. Unit 105
Richmond Hill, ON L4B4N1

888-562-2251 (Toll Free)
888-456-8460 (Fax)
Knaack.OrderEntry.Canada@wernerco.com

ATTENTION: PLEASE READ AND UNDERSTAND ALL INSTRUCTIONS AND WARNINGS BEFORE ASSEMBLING, INSTALLING OR USING THIS PRODUCT.

INSTALLATION GUIDELINES

- Before cutting or drilling in the B-pillar, verify the location of the seat belt mechanism and electrical cables to prevent damaging vital components.
- Always wear protective eyewear to keep debris out of your eyes when installing WEATHER GUARD® Van Products.
- Tighten all M6 hardware to 76 in-lbs when ready.
- A Window Accessory (96907-3-01) is also available for this product. If installing this accessory, it is recommended that it be installed to the bulkhead before installing the bulkhead into the van.
- **This product is designed and intended for use on all wheelbases of 2014 and newer Ford Transit Connect vans.**

OPERATION GUIDELINES

- Any modifications made to this product, or use of this product for any other purpose than its intended use, could create a hazardous condition that can cause serious personal injury or property damage.
- **At the end of the first week of use, check all of the fasteners for proper tightness and then check every three months thereafter.**

HARDWARE KIT

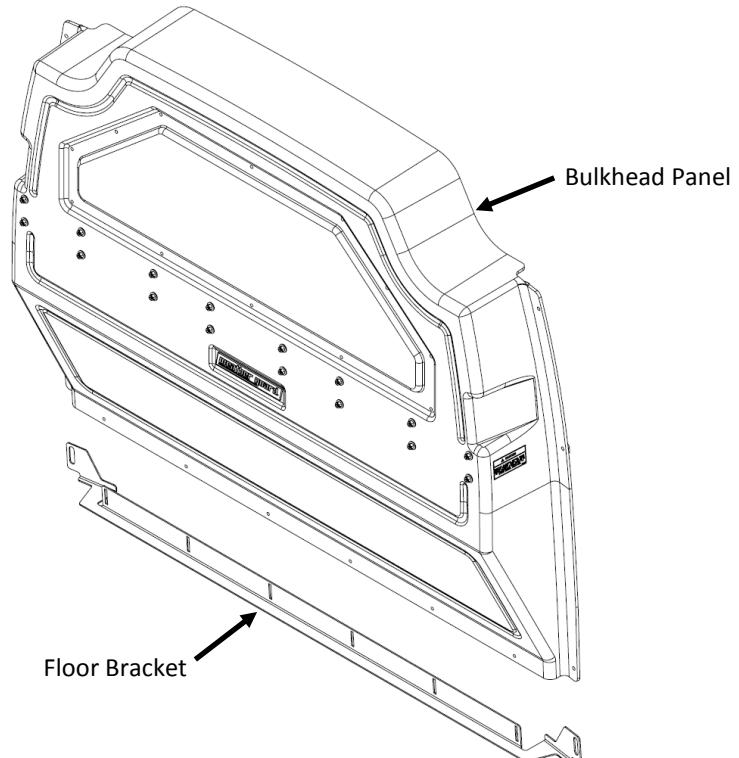
DESCRIPTION	QTY
M6-1.0 x 20mm Carriage Bolt	6
M6-1.0 Nylon Lock Nut	6
1/4"-20 x 1" Bolt	6
1/4" Washer	12

TOOLS REQUIRED

Ratchet
10mm Socket
7/16" Socket
Socket Extension(s)
Drill
7/32" Drill Bit
5/16" Drill Bit
Torque wrench

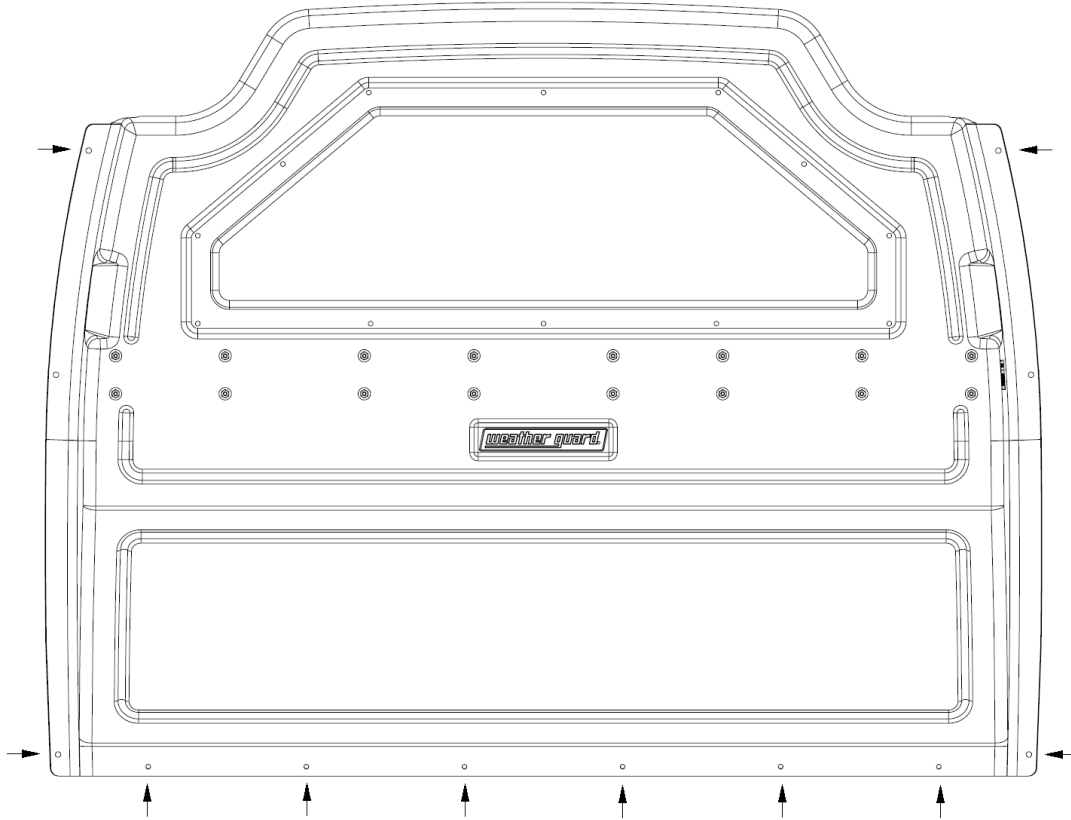
PARTS LIST

DESCRIPTION	QTY
Floor Bracket	1
Bulkhead Panel	1

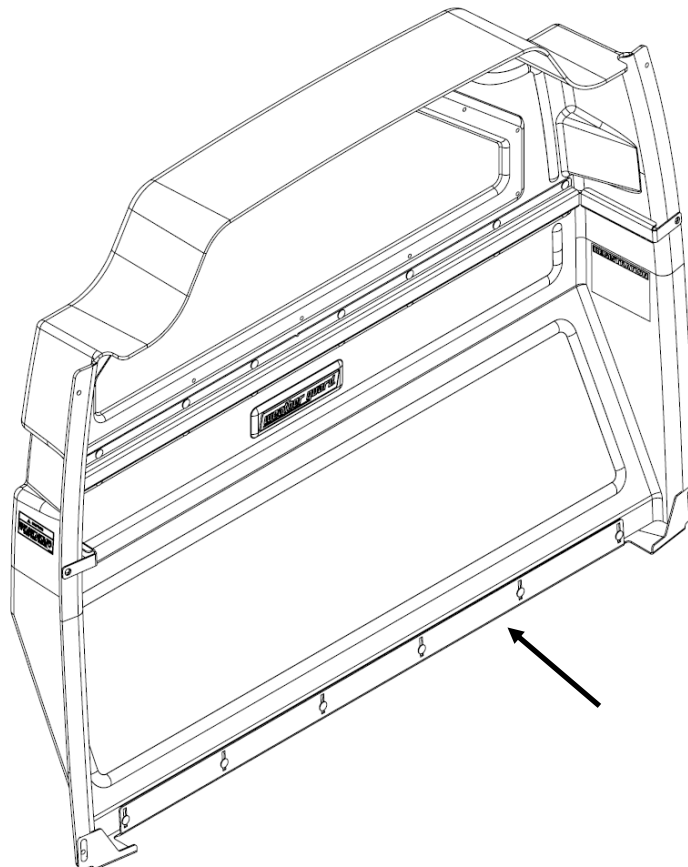


BULKHEAD PREPARATION INSTRUCTIONS

STEP 1. Drill 5/16" holes in the bulkhead panel at the dimples along the sides and bottom of the panel.



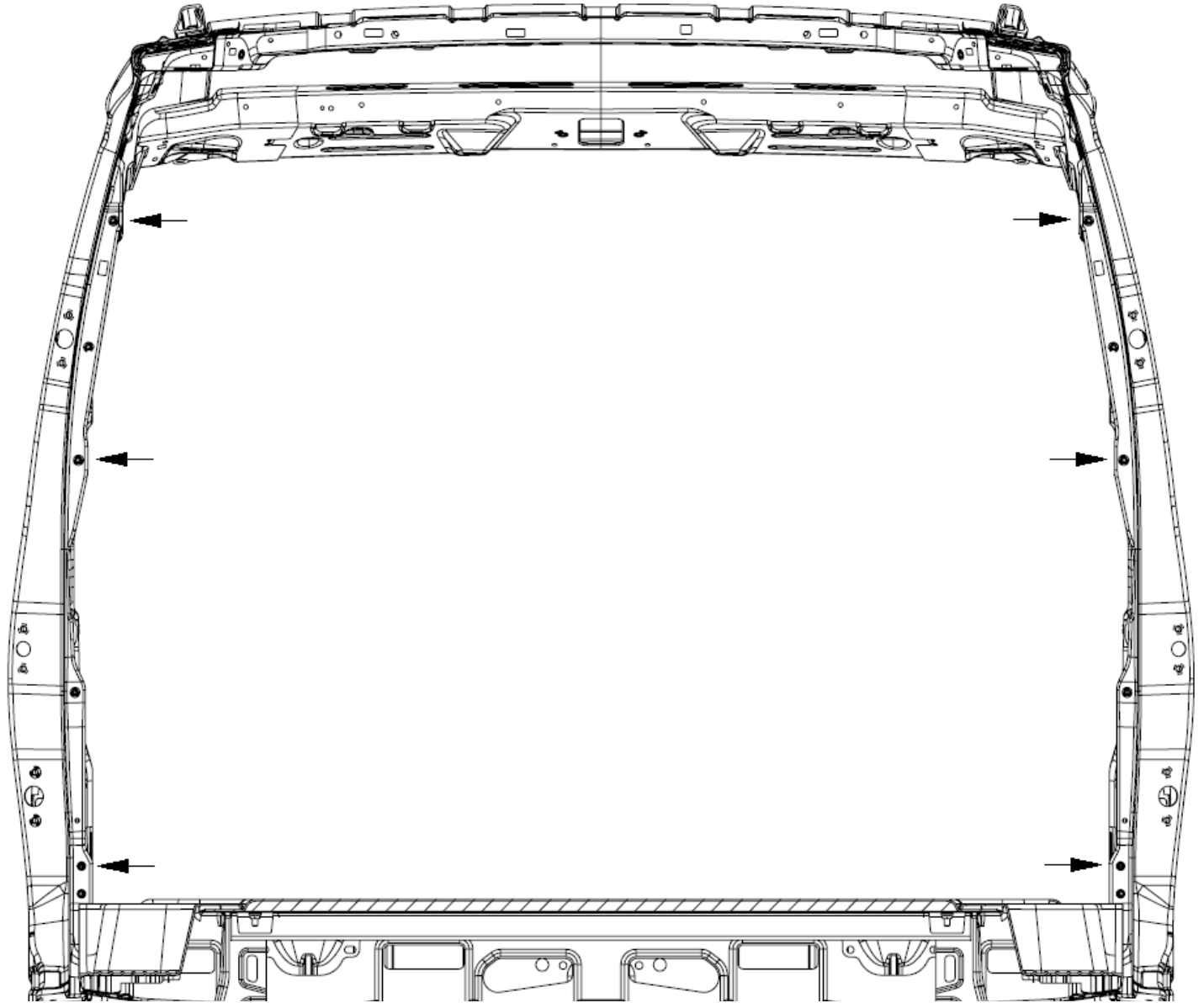
STEP 2. Install the floor bracket to the bulkhead panel with six M6 carriage bolts, washers, and nylon lock nuts. For now, leave the nuts loose to allow the bracket to slide up and down freely.



VAN PREPARATION INSTRUCTIONS

STEP 3. Peel back the front half of the rubber seals around the side doors to uncover the B-Pillar.

STEP 4. Drill the top, 3rd from the top, and 2nd from the bottom B-Pillar holes to $7/32$ " and then tap them to $1/4$ "-20 thread.



BULKHEAD INSTALLATION INSTRUCTIONS

STEP 5. Place the Bulkhead into the van against the B-pillar – Position the top of the bulkhead panel as outlined and shown below.

On a 2014-2017 vehicle, the top of the bulkhead panel will sit beneath the bottom of the headliner.



On a 2018 or newer vehicle, slip the top of the bulkhead panel between the rear of the headliner and the foam pieces.



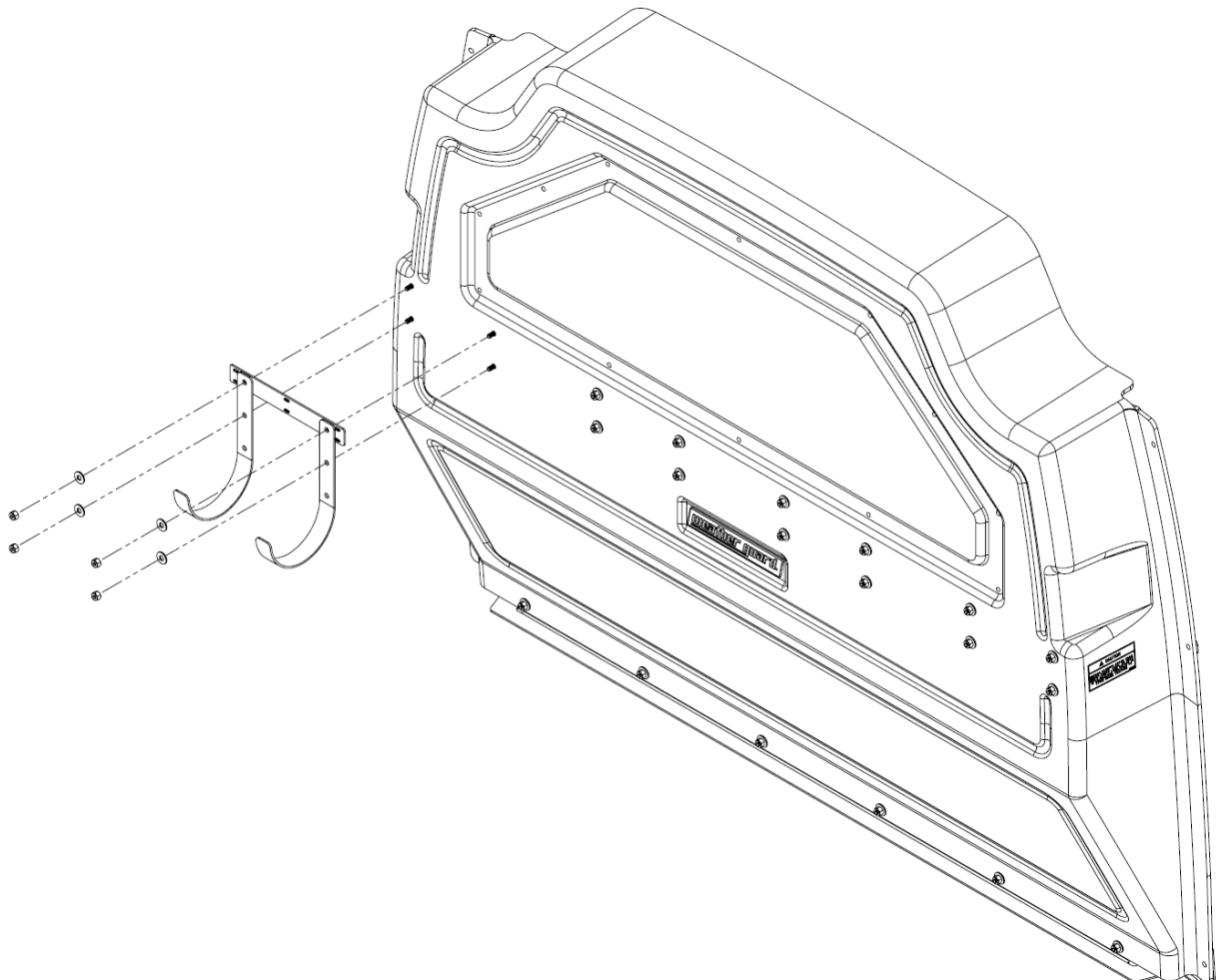
STEP 6. Loosely bolt the Bulkhead to the B-pillars using six 1/4"-20 x 1" bolts and flat washers.

STEP 7. While keeping the floor bracket down flat against the floor/floor liner, tighten the bottom bolt on each side to 76 in-lbs. Then tighten the upper four B-Pillar bolts to 76 in-lbs.

STEP 8. Tighten the nuts that attach the floor bracket to the bulkhead panel to 76 in-lbs.

STEP 9. Push the rubber seal back into place around the side doors.

STEP 10. (Optional) If installing Red Zone Accessories to the bulkhead, you can remove a set of the nuts and washers attaching the middle reinforcement bracket, slip the Red Zone Accessory onto the carriage bolts, and replace the washers and nuts. Tighten the nuts to 76 in-lbs.



! WARNING

This product can reduce the driver's ability to clearly see roadways, vehicular or pedestrian traffic and other objects through the rear and side windows of the vehicle, which can cause an accident. Extra precautions should be taken when driving a vehicle with this product. Make all adjustments necessary to ensure maximum visibility, including but not limited to, changing mirror and seating positions. State and local laws may prohibit obstruction of windows in a moving vehicle.

These instructions are to be followed using the parts and fasteners supplied for proper installation. Any modifications or improper installation of this product will create a hazardous condition that could result in death, serious personal injury and/or property damage.

! CAUTION

Prior to drilling, so as not to cut electric wires, fuel lines, brake lines, etc., check behind and underneath drilling and mounting locations. To keep debris out of your eyes when checking the underside of the vehicle, or when drilling, always wear protective eye wear. Failure to heed this warning will result in death or serious injury.

- NOTICE -

Any modification or unintended use of this product shall immediately void all manufacturer's warranties. Manufacturer disclaims all liability for injuries to persons or property resulting from any modification to, or unintended use of this product.

WERNER CO. LIMITED LIFETIME WARRANTY FOR WEATHER GUARD® PRODUCTS

WEATHER GUARD® Products — Limited Lifetime Warranty (Purchased on or after 1/1/2009)

WERNER CO. (the "Manufacturer") warrants to the original purchaser only that WEATHER GUARD® Truck and Van Products (the "WEATHER GUARD® Product") will be free from defects in material and workmanship from the date of purchase and continuing for the expected lifetime of the WEATHER GUARD® Product. A copy of the original sales receipt must be supplied to the Manufacturer at the time a warranty claim is made. This warranty terminates if the original purchaser transfers the WEATHER GUARD® Product to any other person.

What is Covered

All WEATHER GUARD® Products identified above that are purchased on or after January 1, 2009.

What We Will Do to Correct Problems

Subject to the limitations and exclusions described in this limited warranty, the Manufacturer will remedy defects in materials or workmanship by providing one of the following remedies at its option and without charge to the original purchaser for parts or labor: (a) repairing the defective portion of the WEATHER GUARD® Product or (b) replacing the entire WEATHER GUARD® Product. In addition, the manufacturer may elect at its option, not to repair or replace the WEATHER GUARD® Product, but rather issue to the original purchaser a refund equal to the purchase price paid for the WEATHER GUARD® Product or a credit to be used toward the purchase of new WEATHER GUARD® Product.

What is Not Covered

This limited warranty expressly excludes:

- Defects caused by normal wear and tear, cosmetic rust, scratches, accidents, unlawful vehicle operation, or modification to the product, or any types or repair of a WEATHER GUARD® Product other than those authorized or provided by the Manufacturer.
- Defects resulting from conditions beyond the Manufacturer's control including, but not limited to misuse, overloading, or failure to assemble, mount or use the WEATHER GUARD® Product in accordance with the Manufacturer's written instructions or guidelines included with the WEATHER GUARD® Product or made available to the original purchaser.
- Damage to the contents of the box or vehicle.
- TO THE EXTENT PERMITTED BY LAW, IN NO EVENT SHALL THE MANUFACTURER BE LIABLE FOR ANY INCIDENTAL, SPECIAL, INDIRECT, OR CONSEQUENTIAL DAMAGES, INCLUDING ANY ECONOMIC LOSS, WHETHER RESULTING FROM NONPERFORMANCE, USE, MISUSE OR INABILITY TO USE THE WEATHER GUARD® PRODUCT OR THE MANUFACTURER'S NEGLIGENCE.

No Other Express Warranty Applies

This Limited Lifetime Warranty is the sole and exclusive warranty for WEATHER GUARD® Products. No employee, agent, dealer, or other person is authorized to alter this warranty or make any other warranty on behalf of WERNER CO.

Notification Procedures

If the WEATHER GUARD® Product does not conform with the terms of this limited warranty, the original owner must promptly notify the Manufacturer in writing upon discovery of the nonconformity. In order to receive the remedies under this limited warranty, the warranty claim must describe the nature of the nonconformity, and a copy of the original sales receipt, invoice, bill or other proof of purchase must accompany the claim. Repairs or modifications made to the WEATHER GUARD® Product by other than the Manufacturer or its authorized agent will nullify this limited warranty. Coverage under this limited warranty is conditioned at all times upon the owner's compliance with these required notification and repair procedures. Warranty claims must include reciprocal contact information and may be made via certified mail to:

WERNER CO. ATTN: Warranty Claims

420 E. Terra Cotta Avenue Crystal Lake, IL 60014

If you have any questions, please call toll free at 1-800-456-7865.

WERNERCO™