

# ACCESS PLATFORM ASSEMBLY MANUAL

*Model Numbers:*

*FS13591*

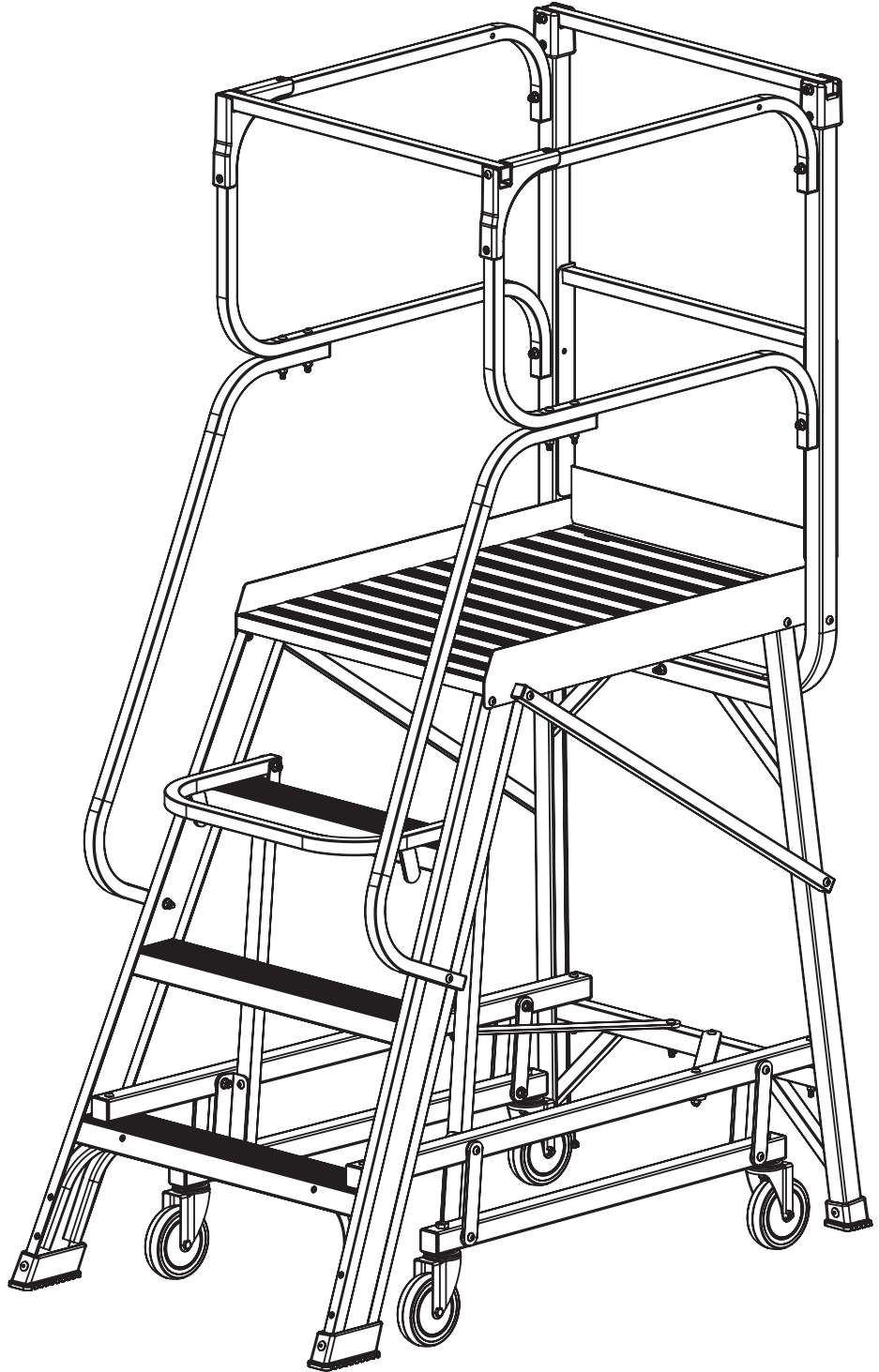
*FS13592*

*FS13593*

*FS13594*

*FS13595*

*FS13596*



# READ THESE INSTRUCTIONS COMPLETELY BEFORE STARTING WORK.

## **WARNING:**

Failure to comply with all instructions may result in serious injury.  
Before assembling this product, identify all components.  
If any components are missing or damaged, return to the place of purchase.  
Do not substitute any components.  
Firmly tighten all fasteners.  
Do not over-tighten fasteners.

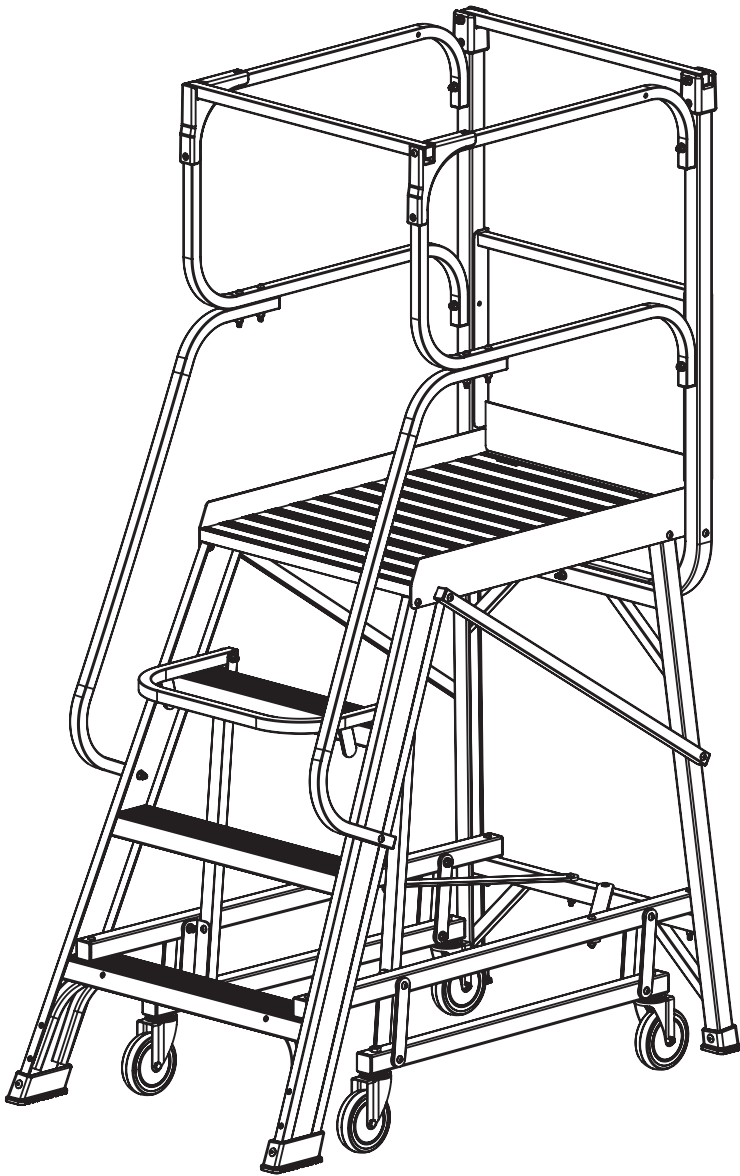
## **ATTENTION:**

For Goods Return, this package must be in original condition.  
If the contents are opened and or partially assembled  
they will not be accepted as a returnable item.

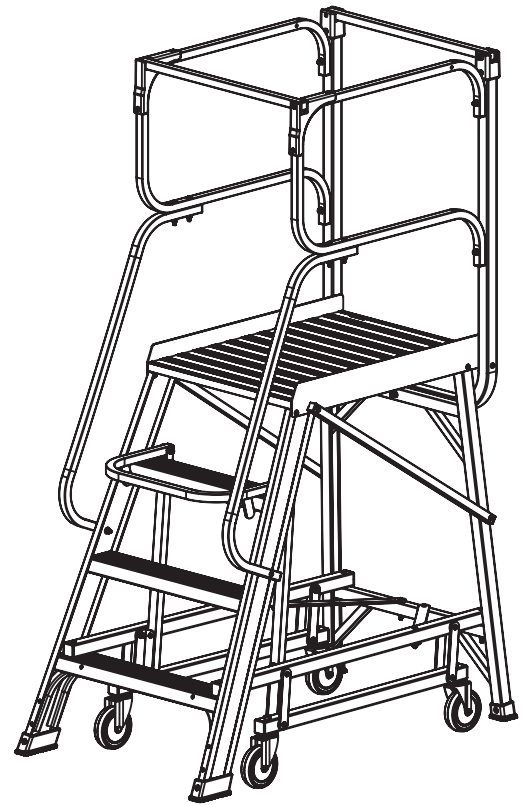
## **WARNING:**

AS 1892: Portable Ladders.  
Read and understand assembly instructions and labels before use.  
Inspect all components for damage before use.  
Ensure enclosed slip resistant footwear is worn at all times.  
Ensure ladder is only used on firm and level ground.  
Do not overreach.  
Always keep your 'belt buckle' inside the footprint of the ladder.  
This ladder is designed and load rated to carry  
a maximum load of 170kg.  
Do not move the ladder with users, tools or materials on the platform.  
Do not use this ladder if you tire easily or are subject to  
fainting spells, are using medication, drugs or alcohol,  
are pregnant or physically handicapped.  
The manufacturer/importer Werner Co. will not be responsible for  
damage or injury to persons through misuse of ladders.

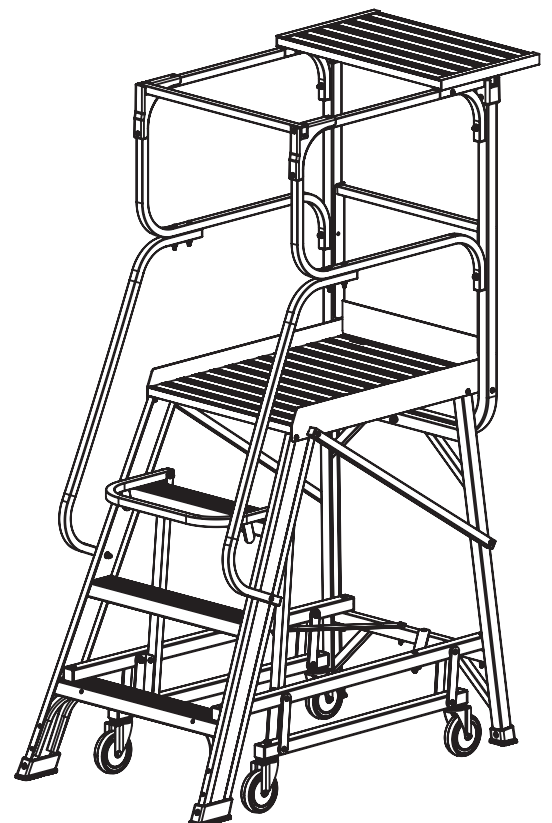
# ASSEMBLY CONFIGURATIONS



Standard Configuration

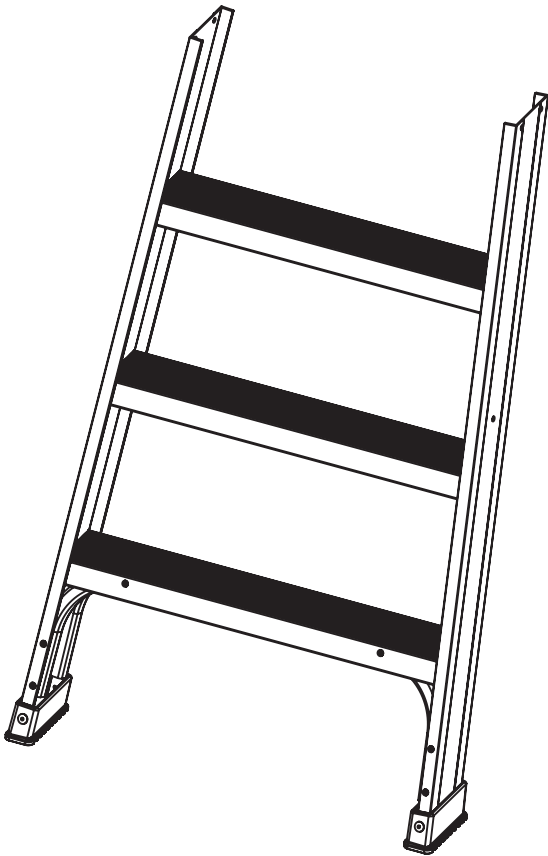


Walk Thru' Configuration

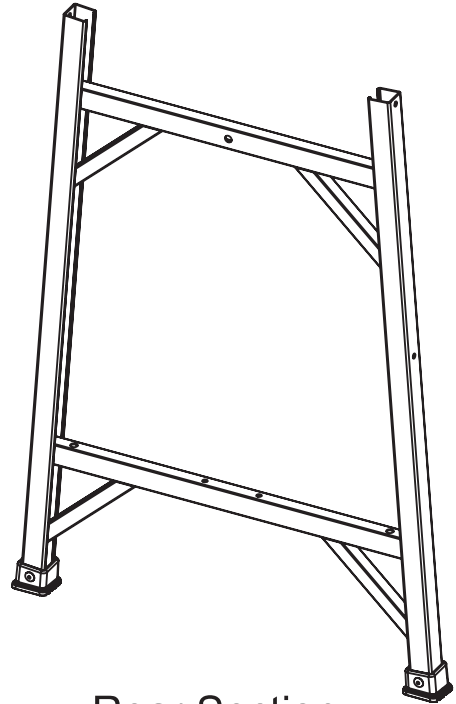


Shelf Configuration

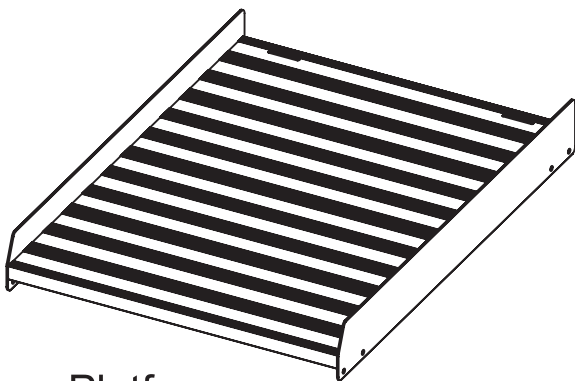
# COMPONENT LIST



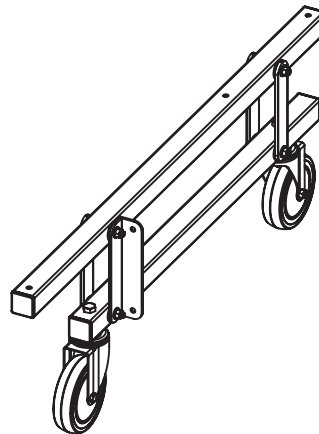
Front Section



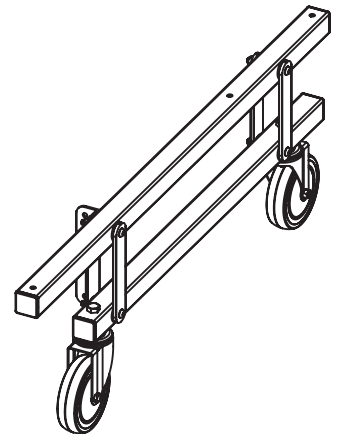
Rear Section



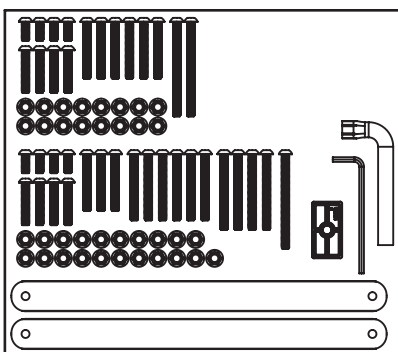
Platform



LHS  
Wheel System

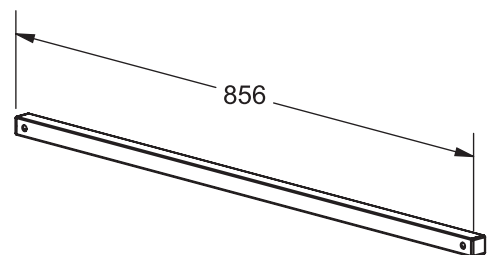


RHS  
Wheel System



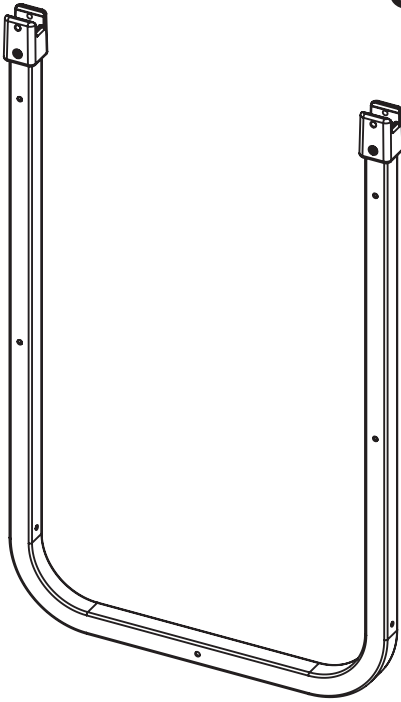
Component Kit

- Fastener Kit A
- Fastener Kit B
- Plan Brace (x2)
- Plastic Wedge Spacer
- Bent Tube Spanner
- Allen Key

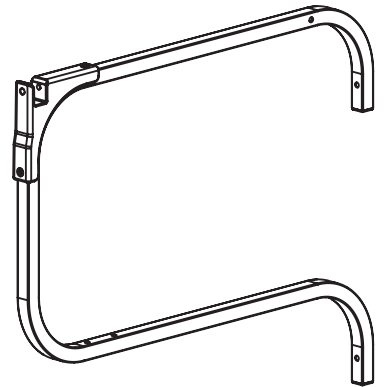


Side Brace (x2)

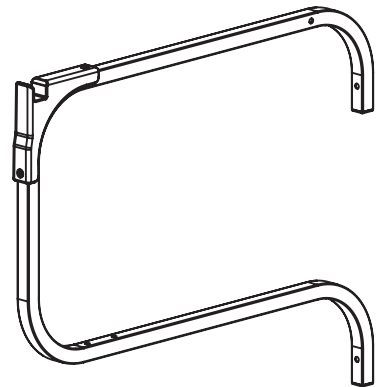
# COMPONENT LIST



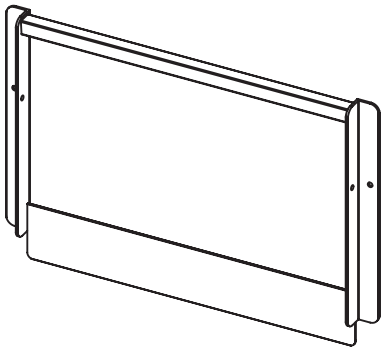
Rear Upright



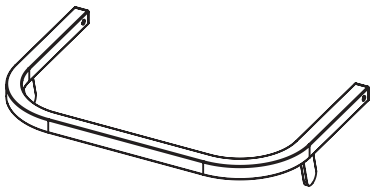
RHS Top Handrail



LHS Top Handrail



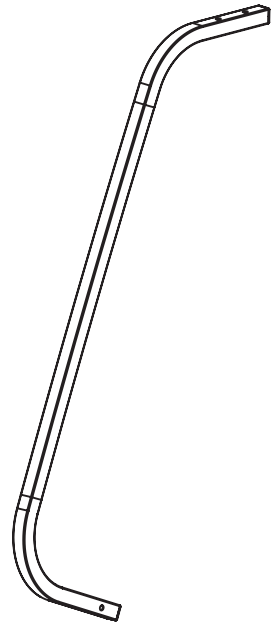
Rear Panel



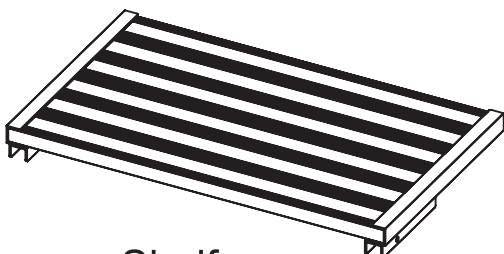
Handle



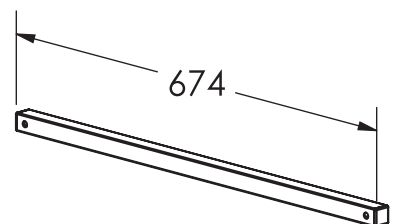
Handlever  
(x2)



Bottom Handrail (x2)



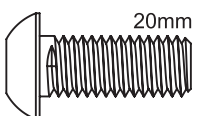
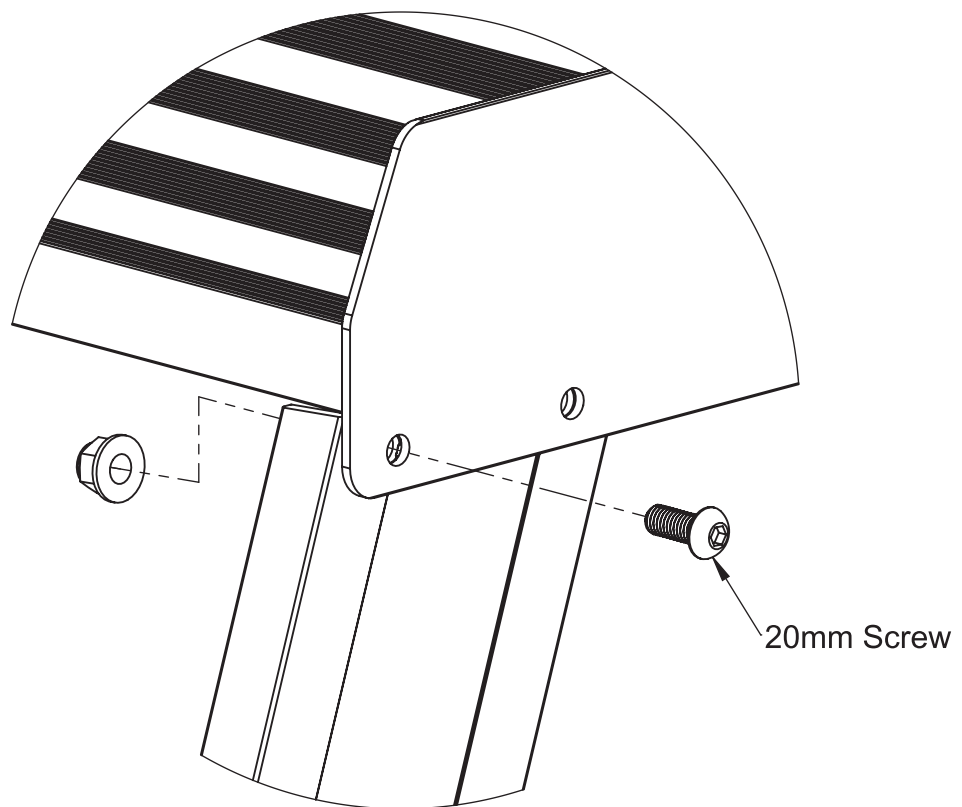
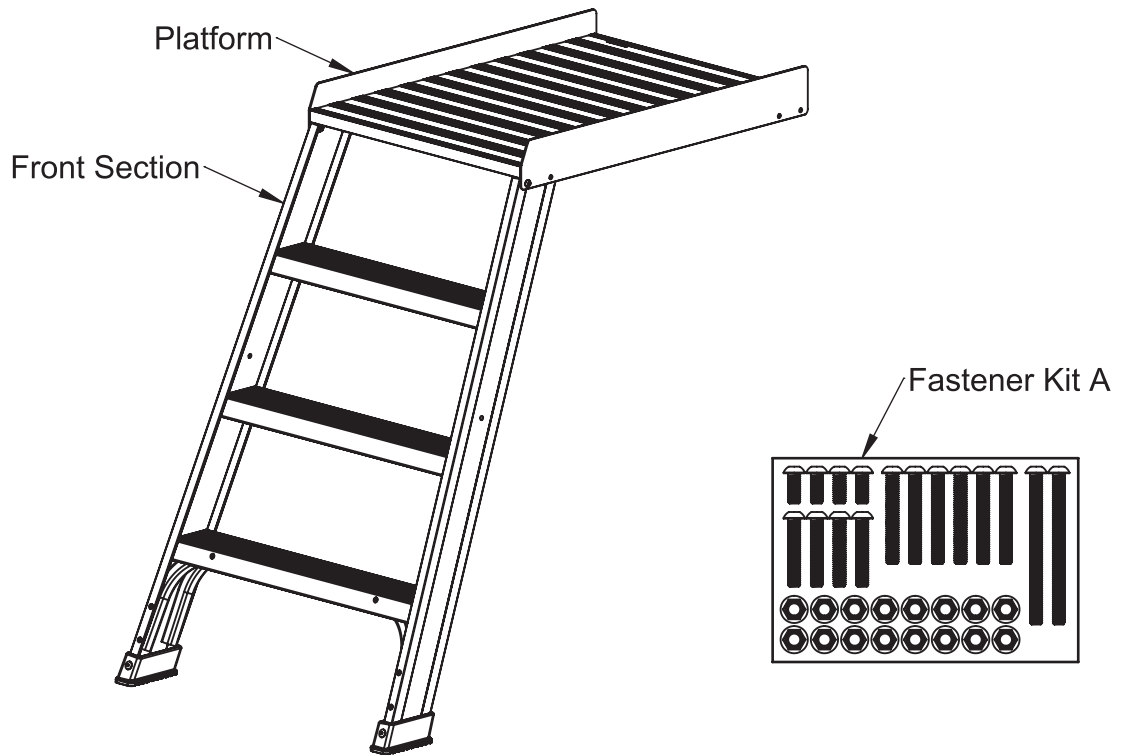
Shelf



Safety Gate (x2)

# STEP 1

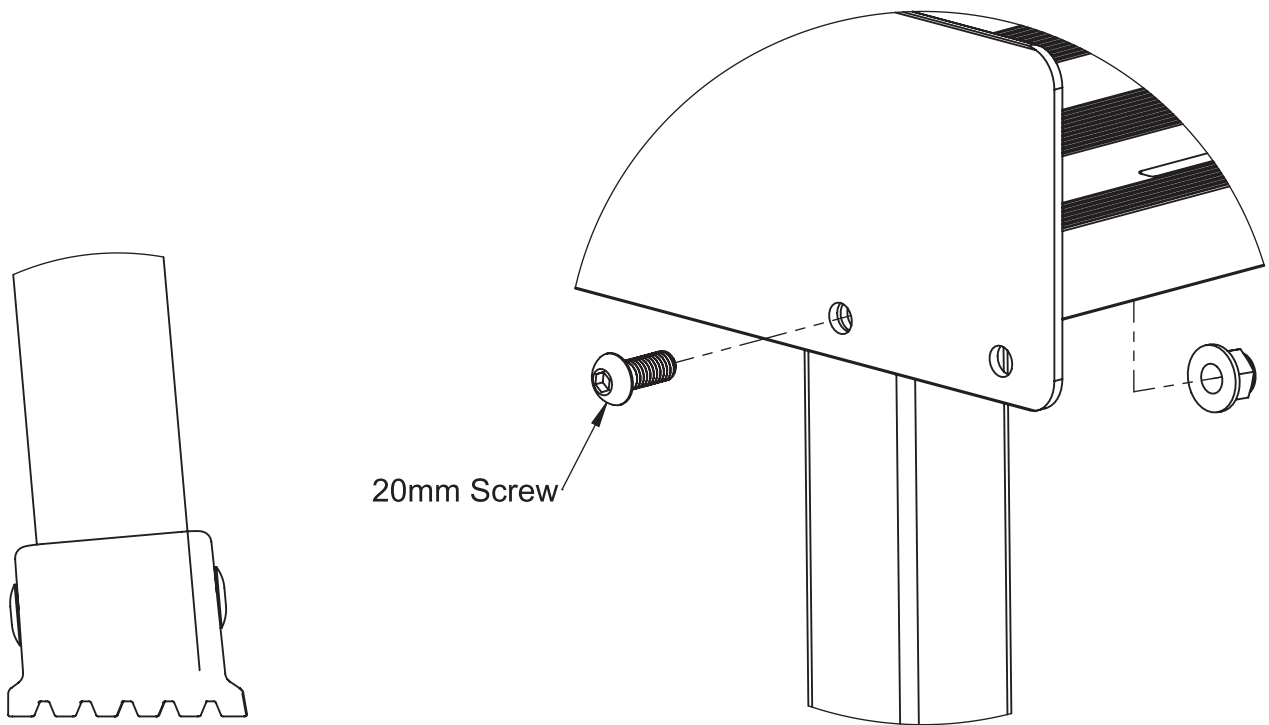
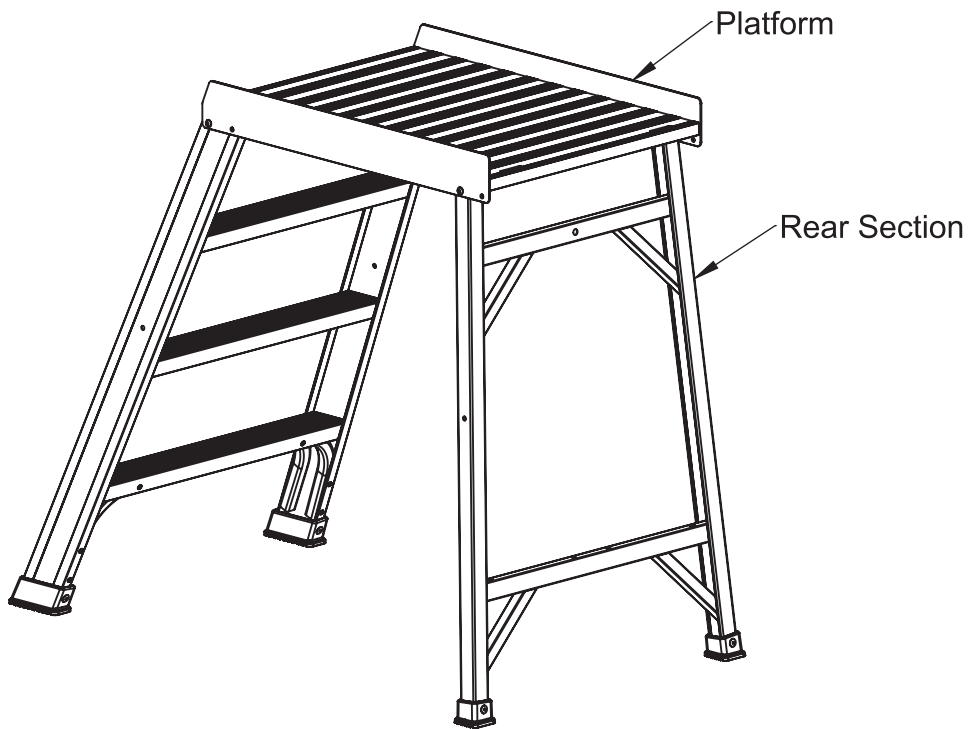
## Assemble Platform and Front Section



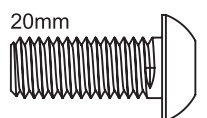
Do Not Tighten  
Any Fasteners  
Until After Step 5.

# STEP 2

## Assemble Platform and Rear Section

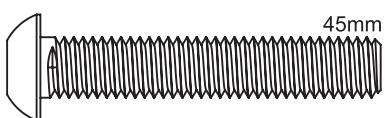
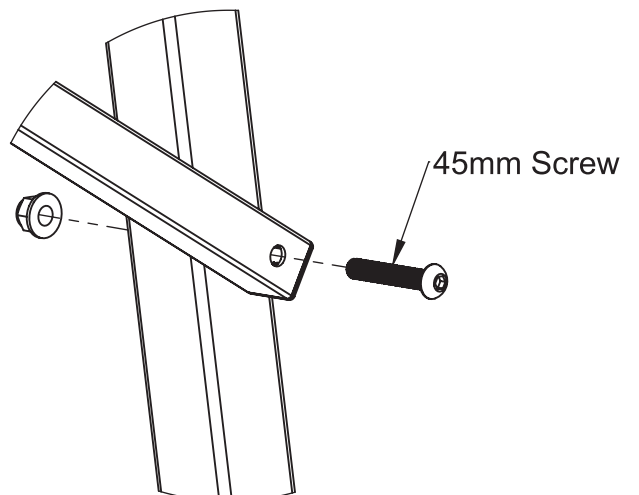
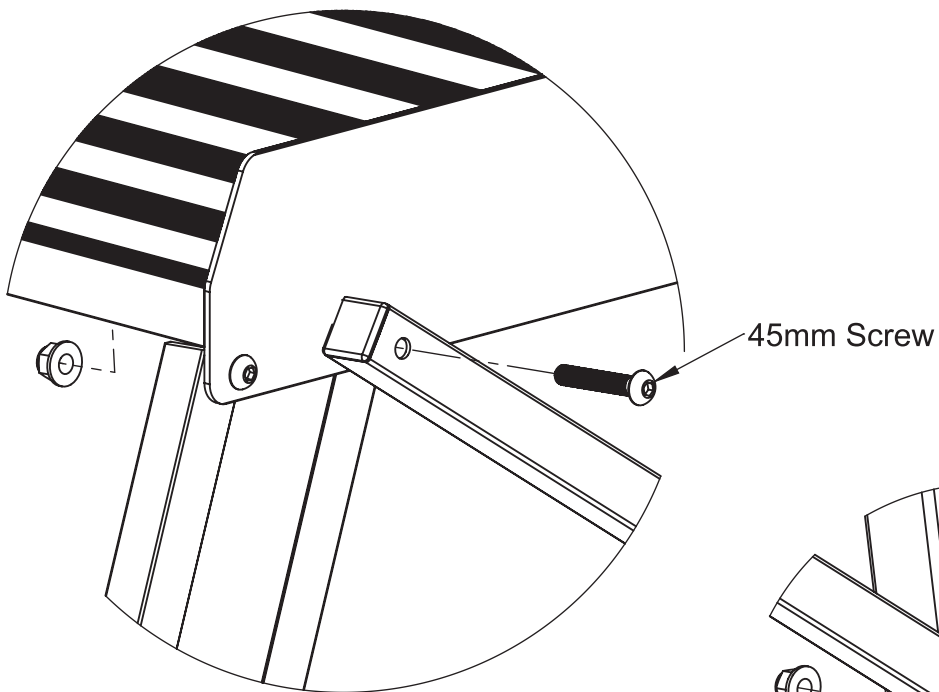
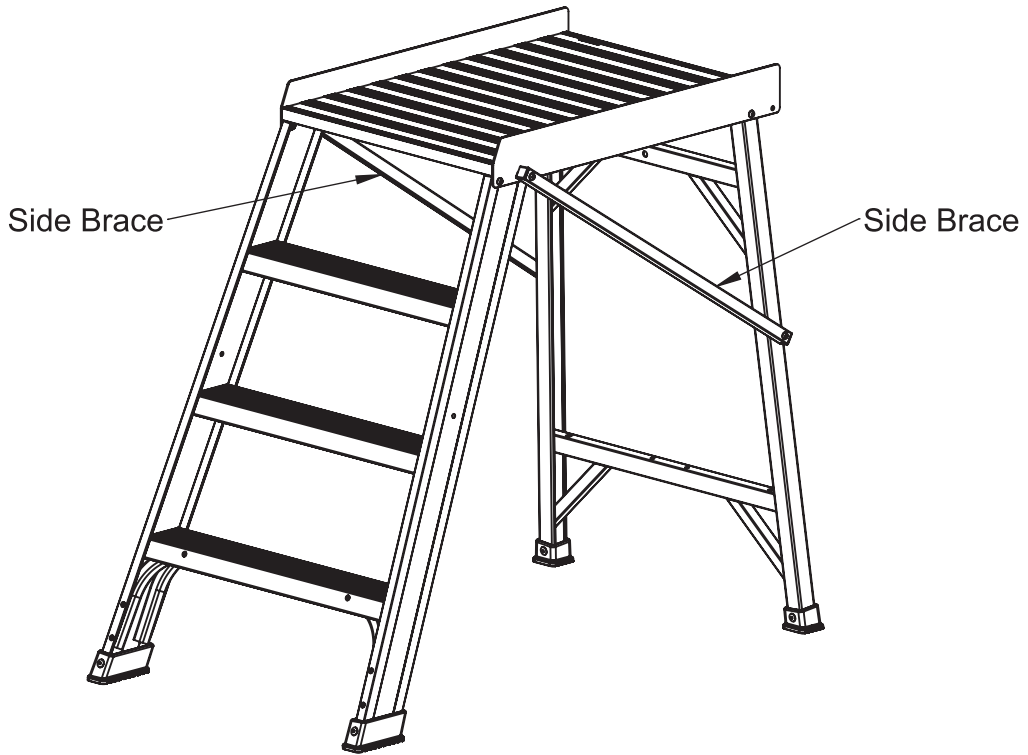


Rear Boots  
to Face Forward



# STEP 3

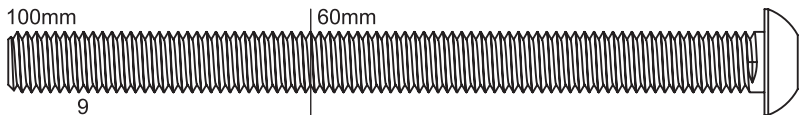
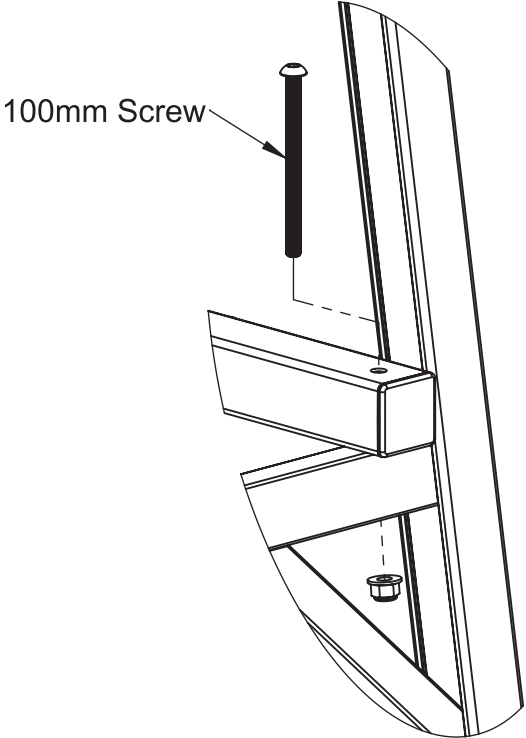
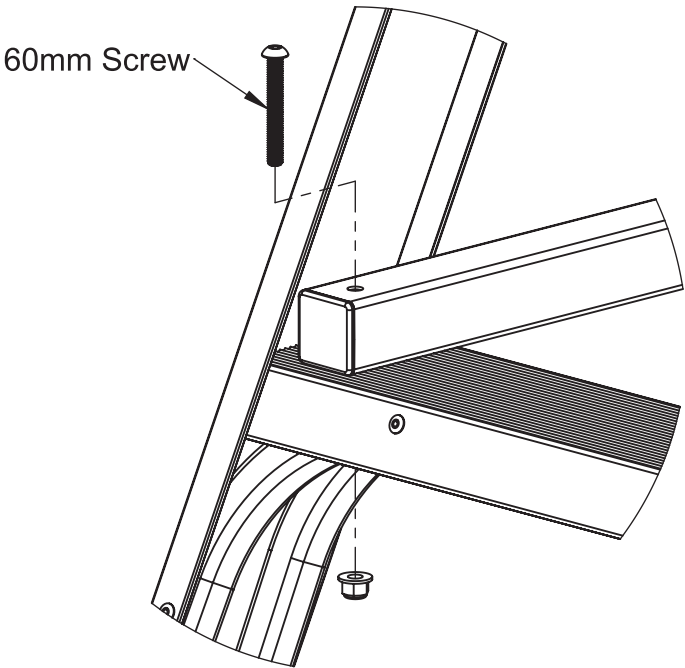
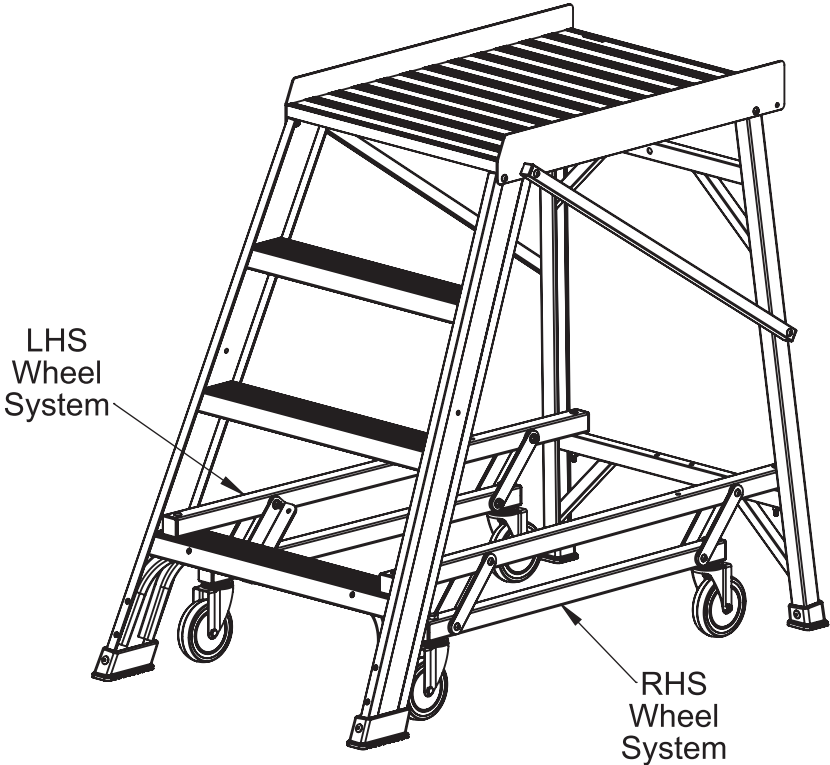
## Assemble Side Braces to Platform and Rear Section





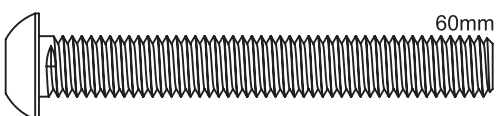
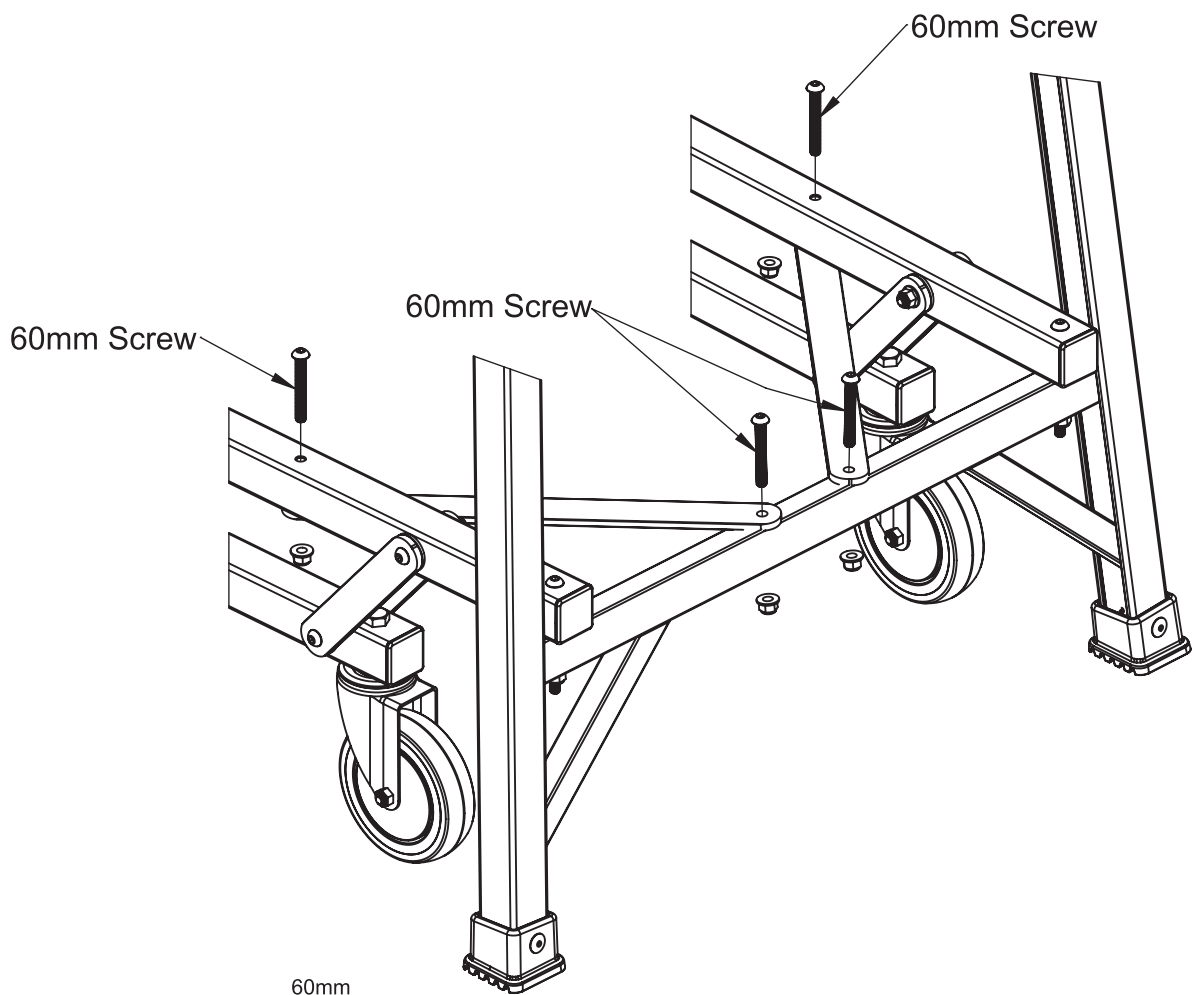
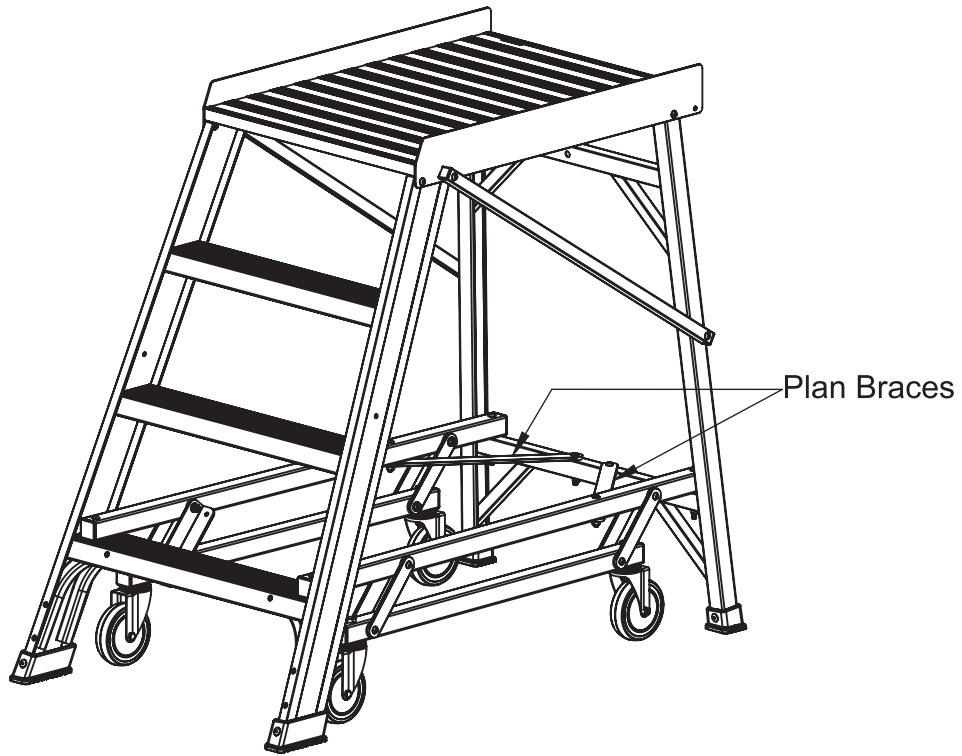
# STEP 4

## Assemble LHS and RHS Wheel Systems to Front Section and Rear Section



# STEP 5

## Assemble Plan Braces to Wheel Systems and Rear Section



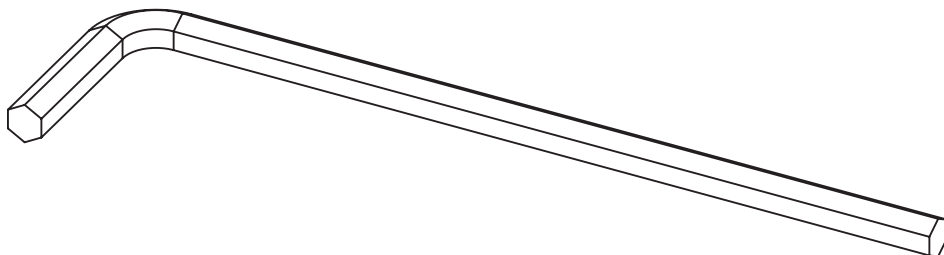
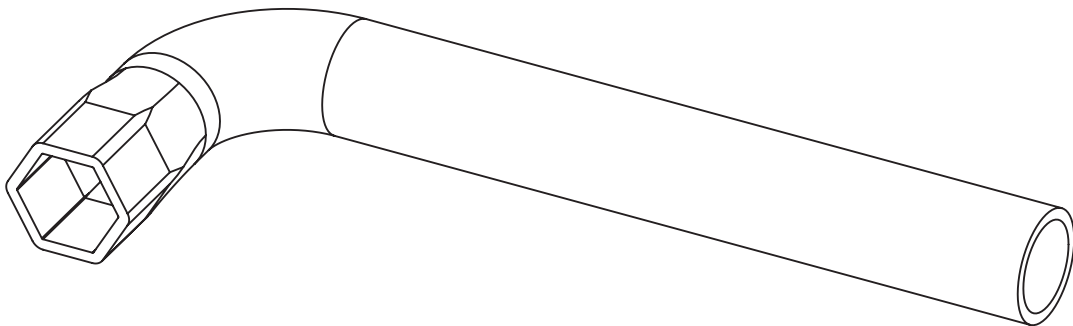
Firmly Tighten All Fasteners  
Assembled In Steps 1 Through 5.

Use The Bent Tube Spanner  
And Allen Key Supplied In The  
Component Kit.

Ensure Product Is Standing Upright  
And On A Flat And Level Surface.

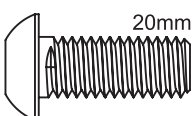
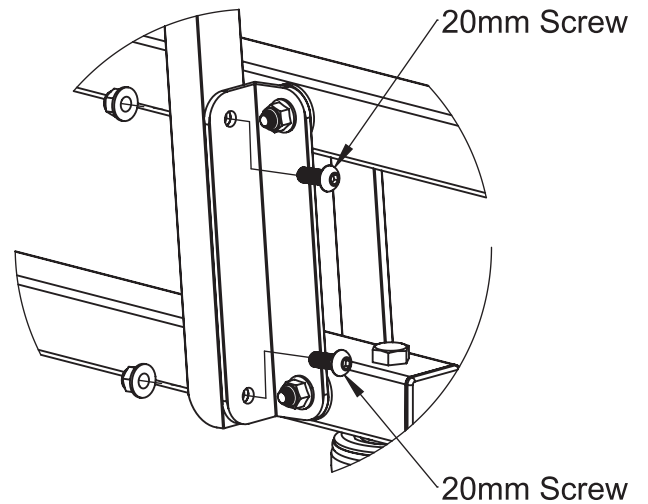
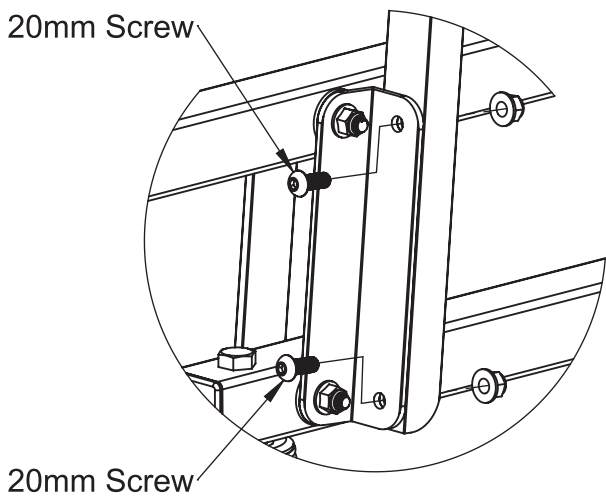
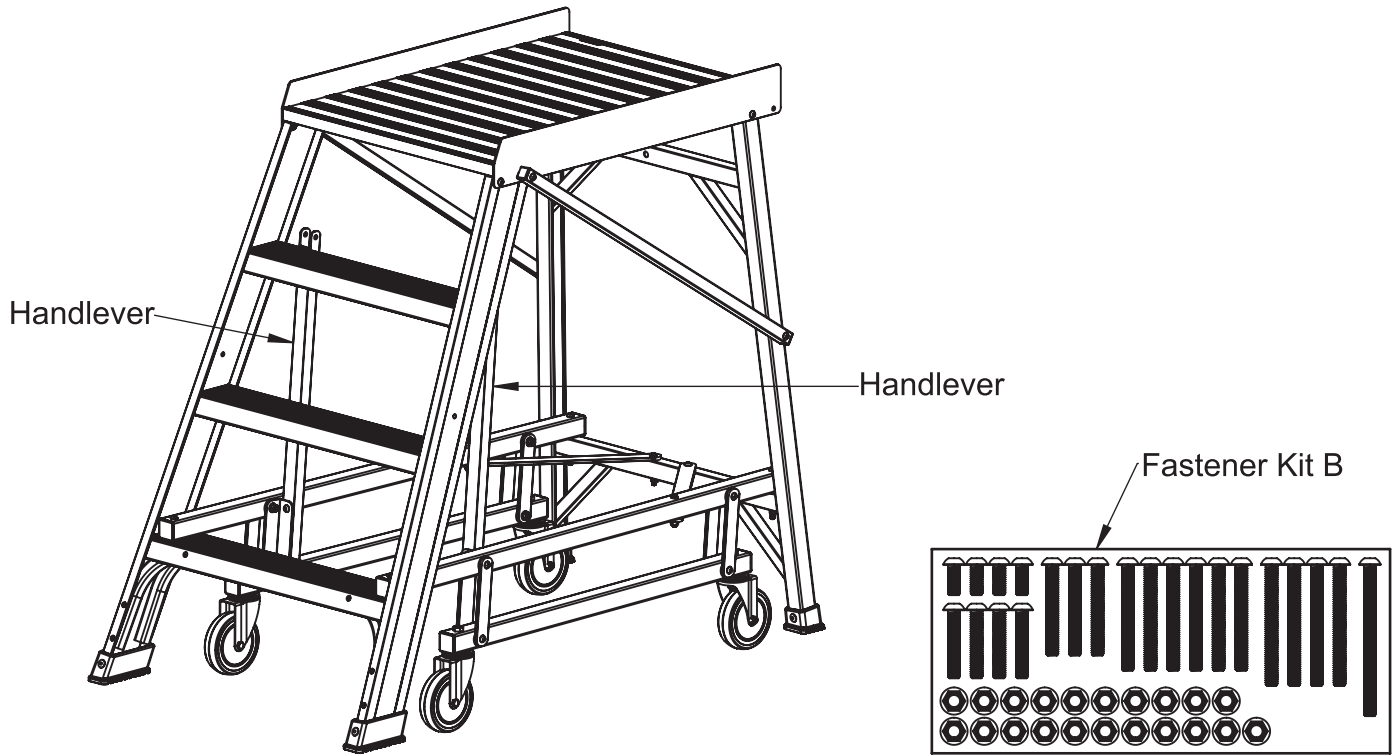
Do Not Over-Tighten Fasteners.

Do Not Crush Hollow Sections.



# STEP 6

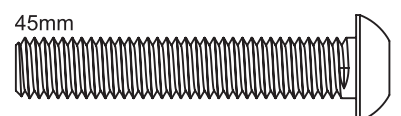
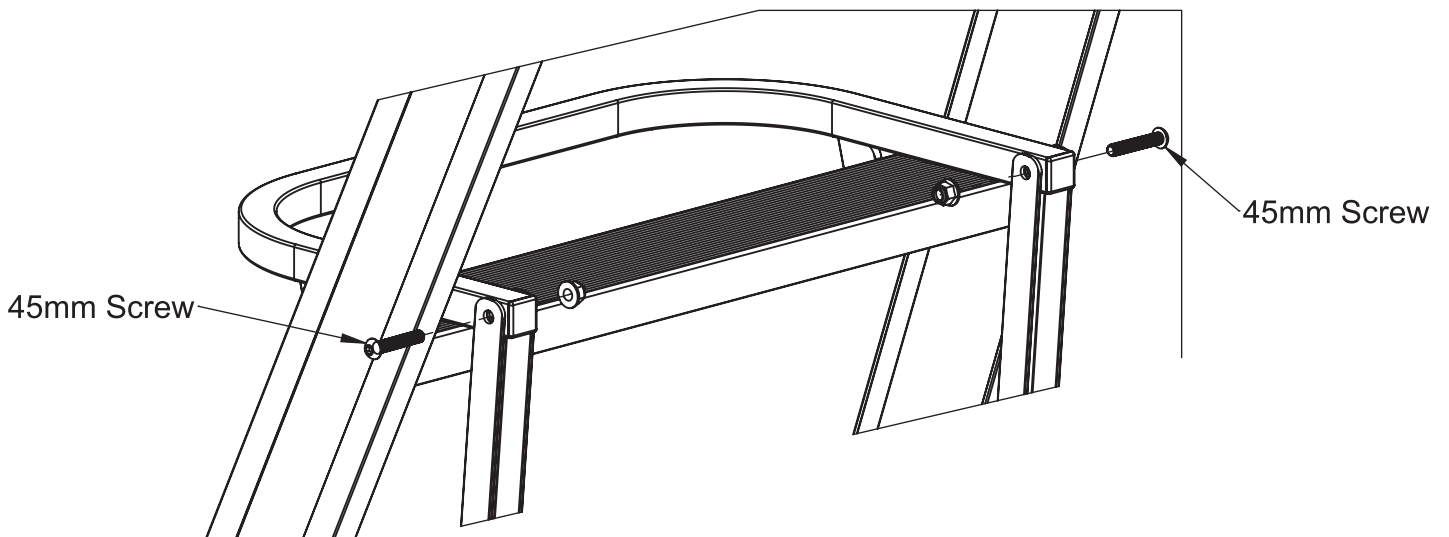
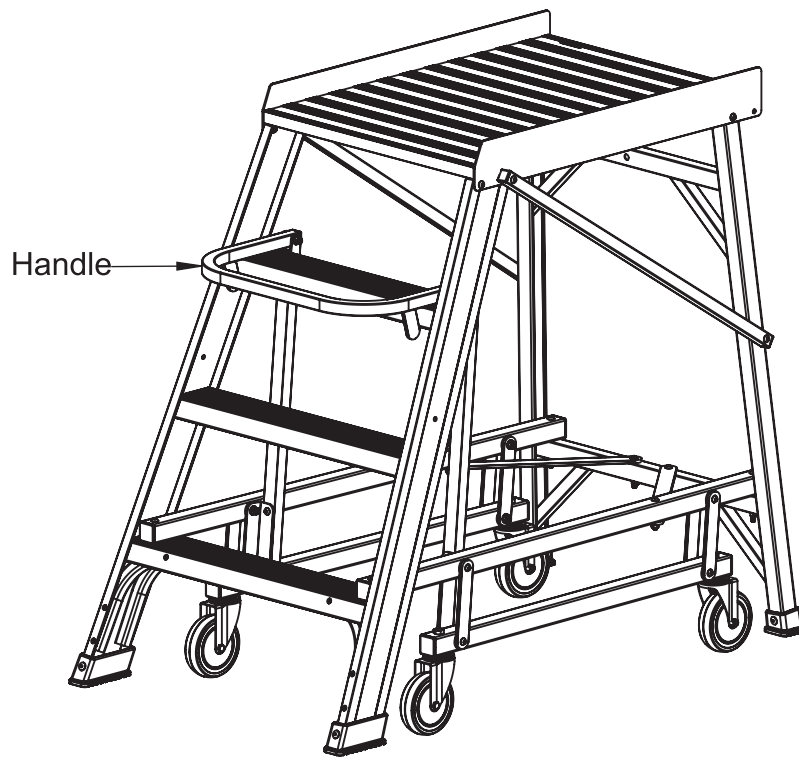
## Assemble Handlevers to Wheel Systems



Do Not Tighten  
Any Fasteners  
Until After Step 14.

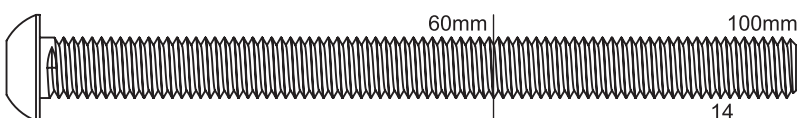
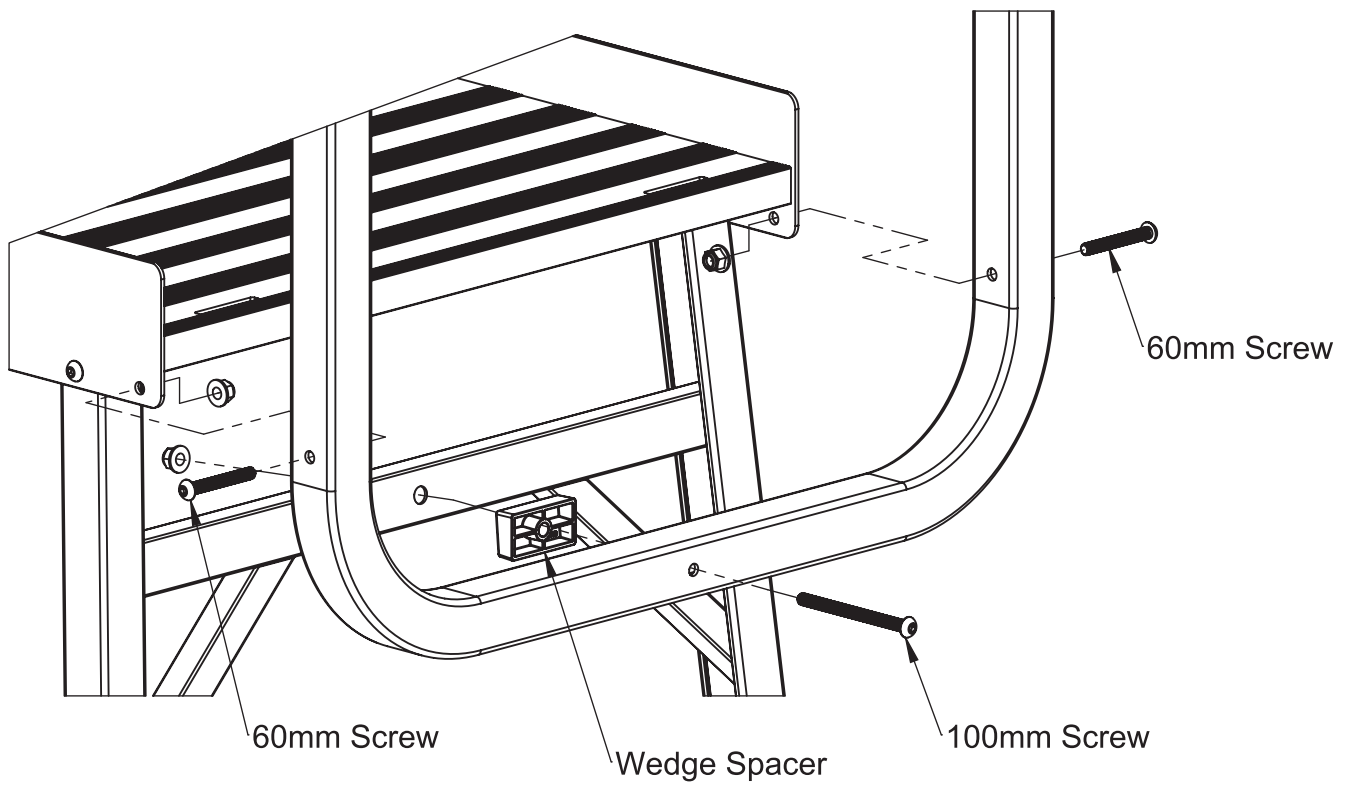
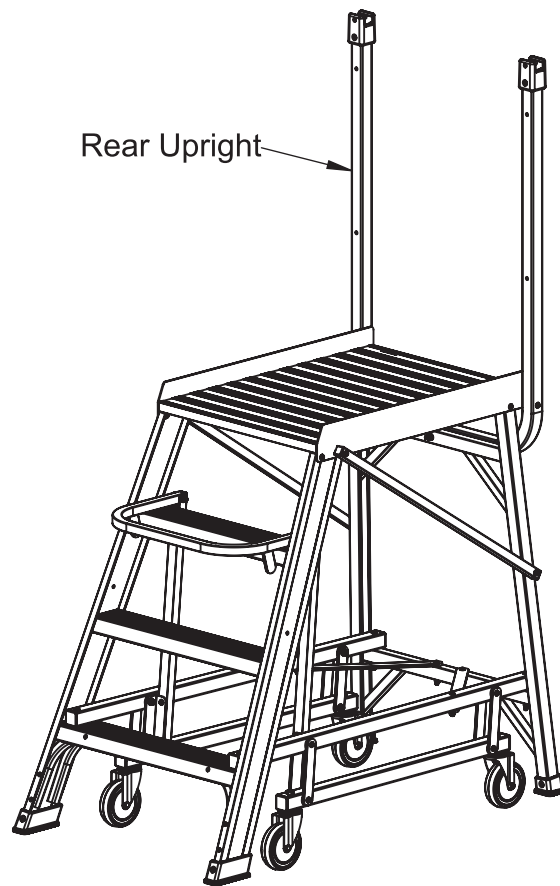
# STEP 7

## Assemble Handle to Handlevers



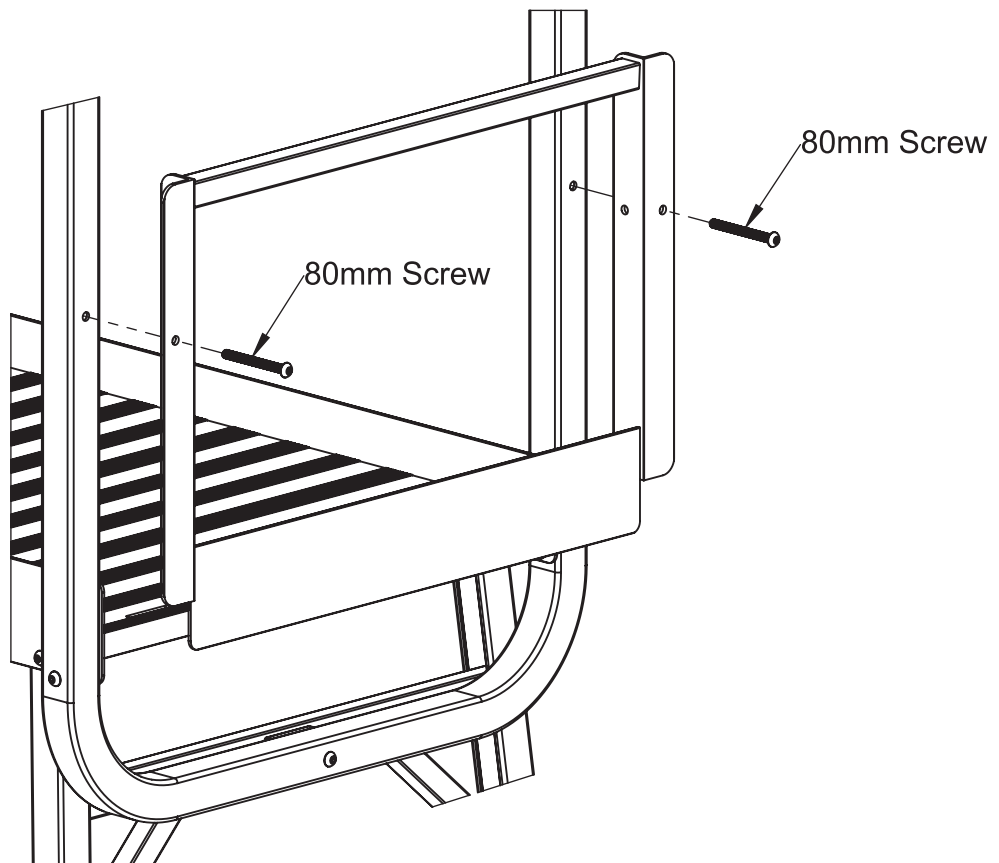
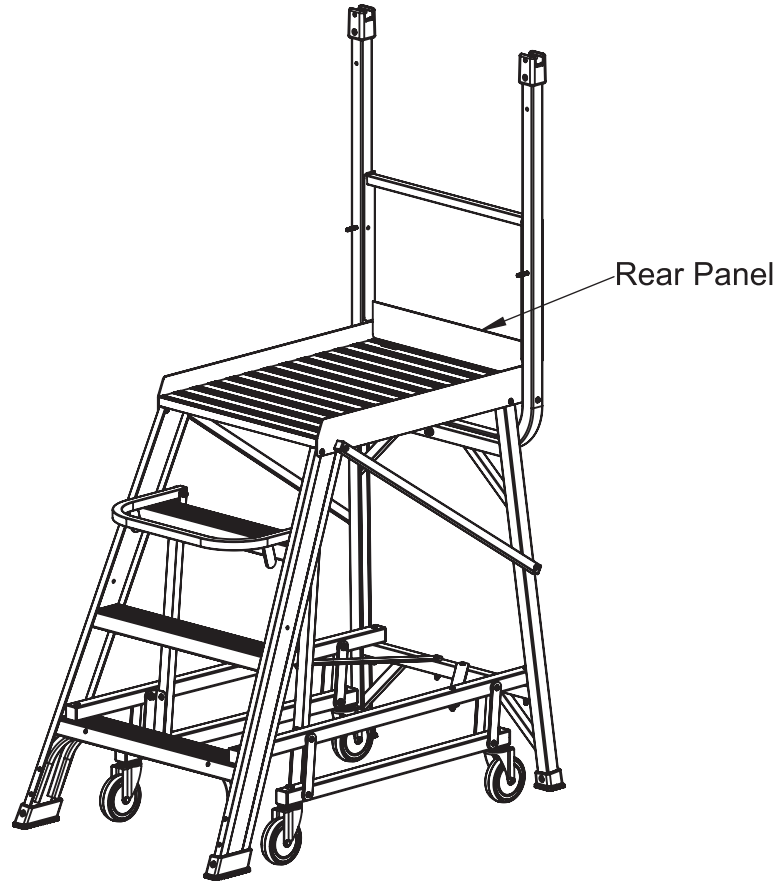
# STEP 8

## Assemble Rear Upright to Platform

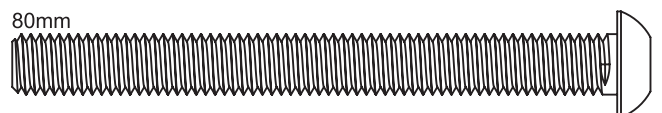


# STEP 9

## Assemble Rear Panel to Rear Upright

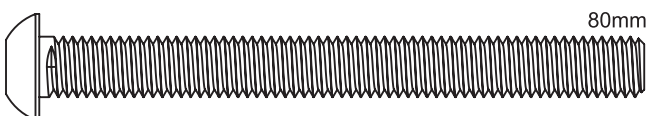
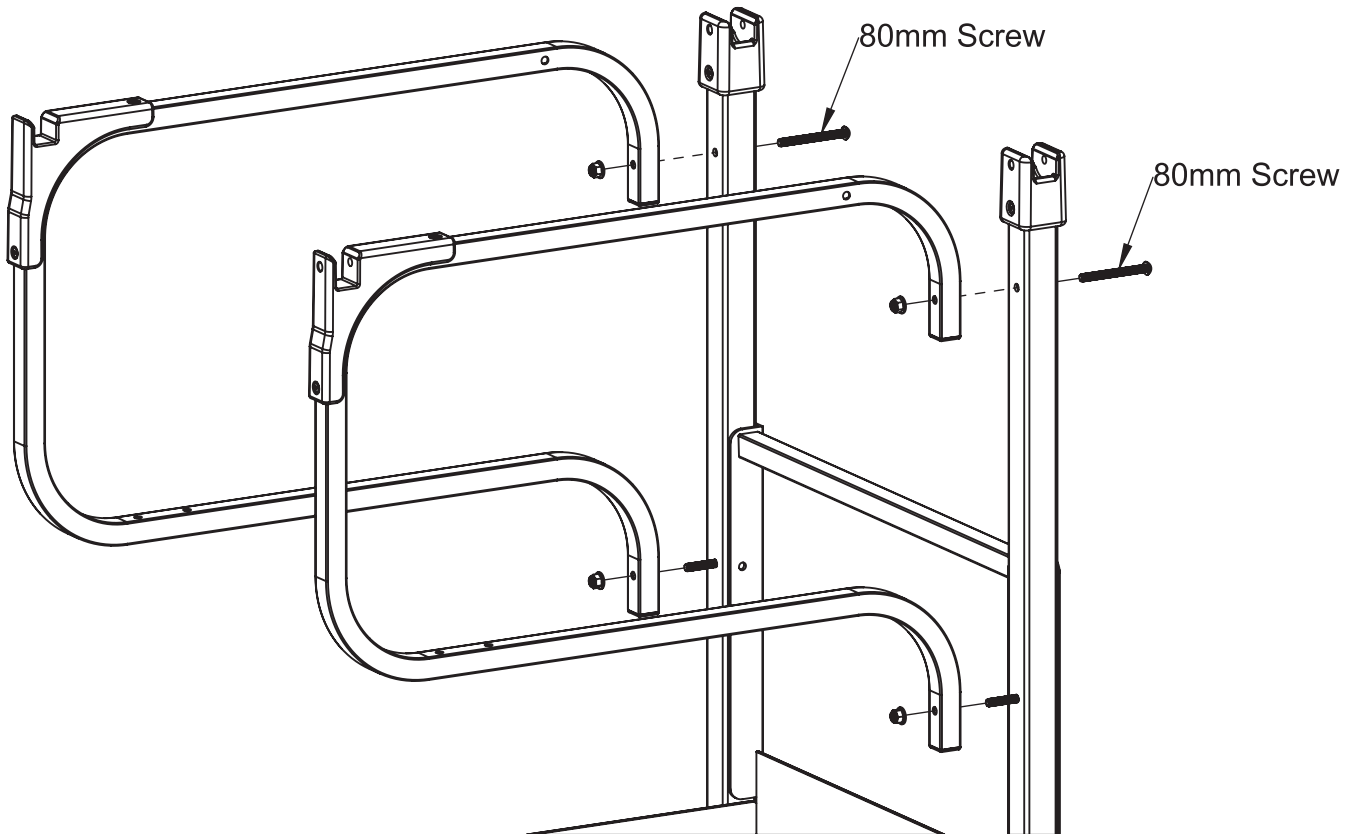
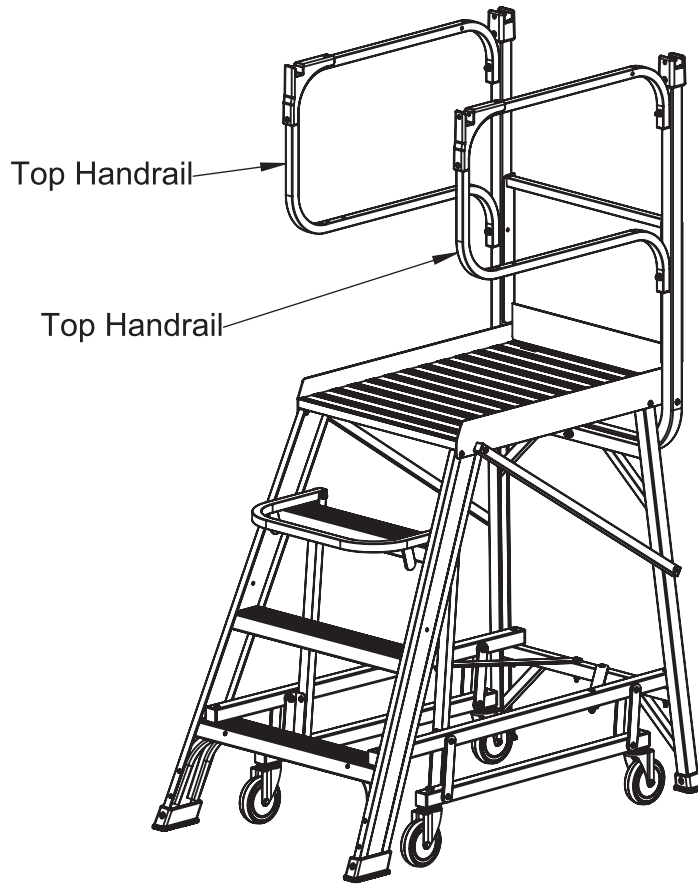


Do Not Assemble The Rear Panel  
For The Walk Thru' Configuration.



# STEP 10

## Assemble Top Handrails to Rear Upright

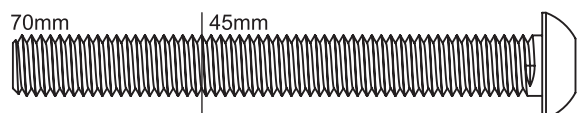
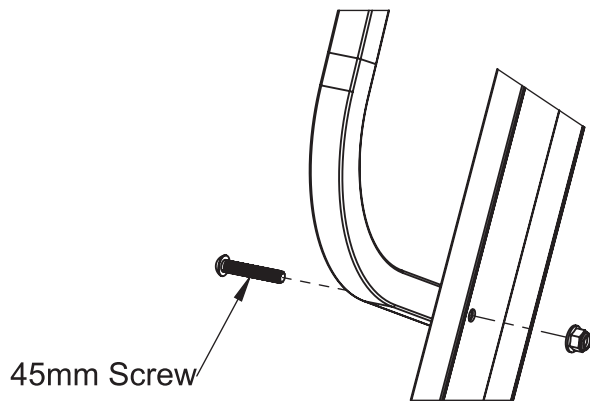
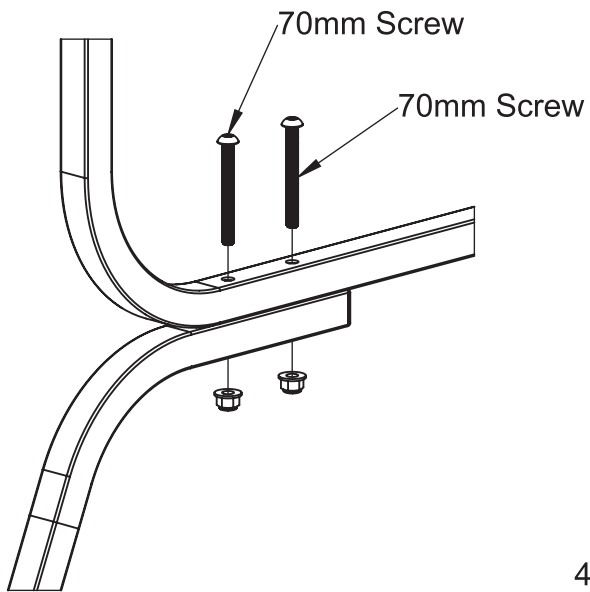


Safety Gate Pivot Position Can Be Assembled On The RHS or LHS.



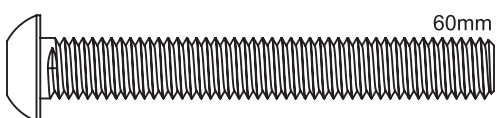
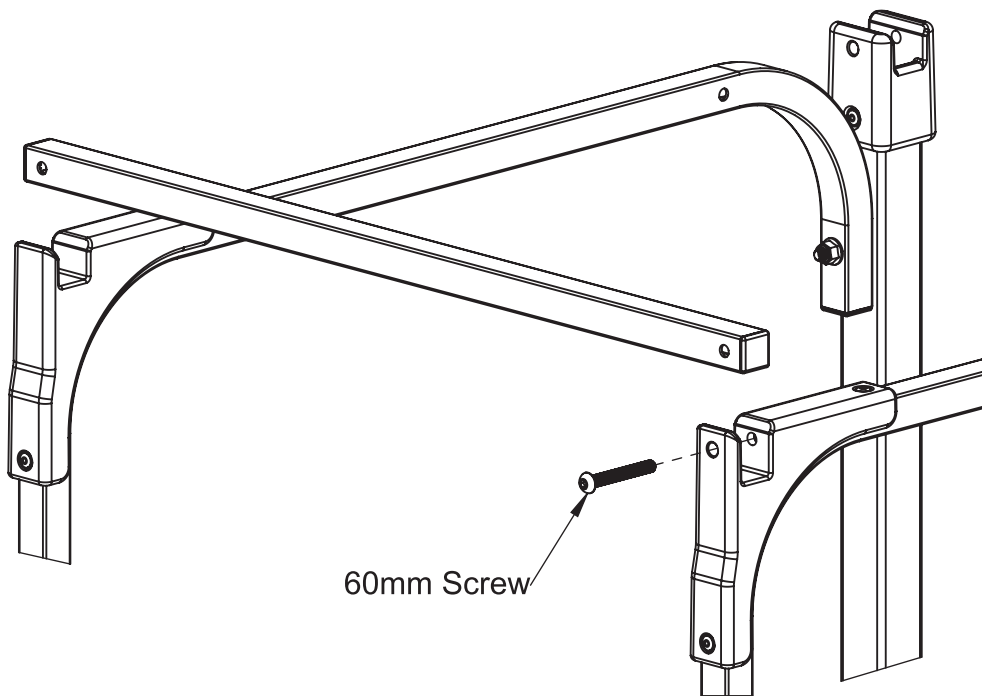
# STEP 11

## Assemble Bottom Handrails to Top Handrails and Front Section



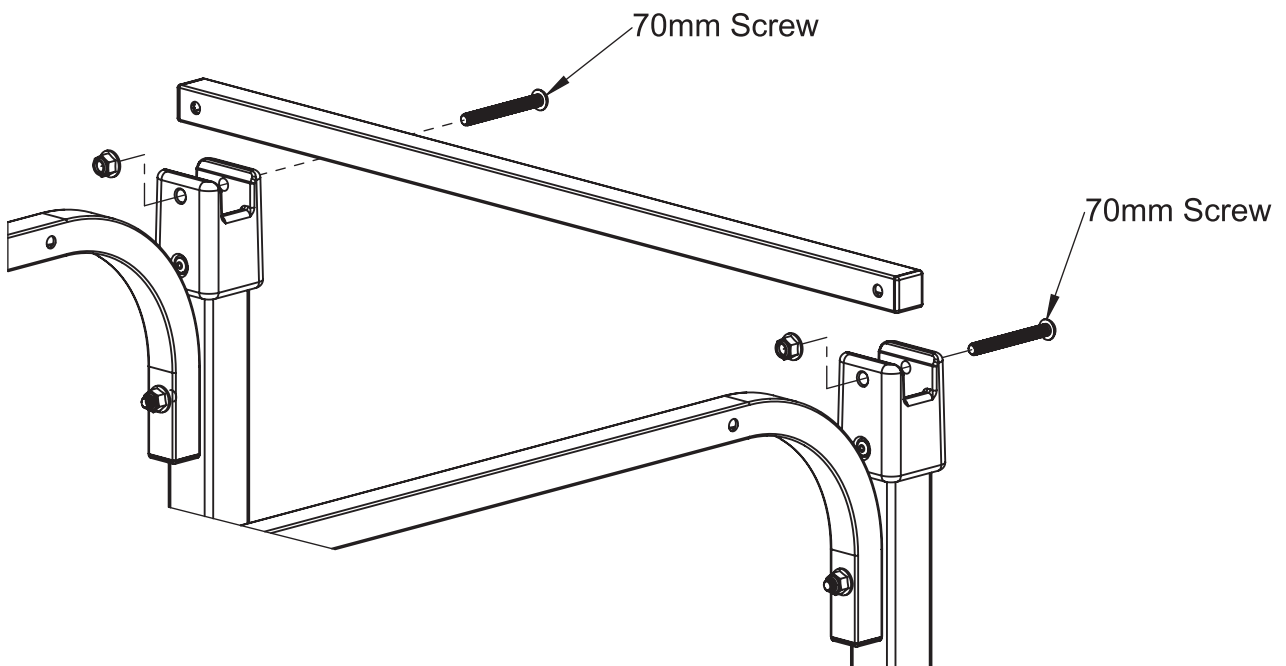
# STEP 12

## Assemble Front Safety Gate to Top Handrails

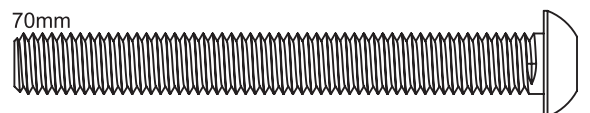


# STEP 13

## Assemble Rear Safety Gate to Rear Upright

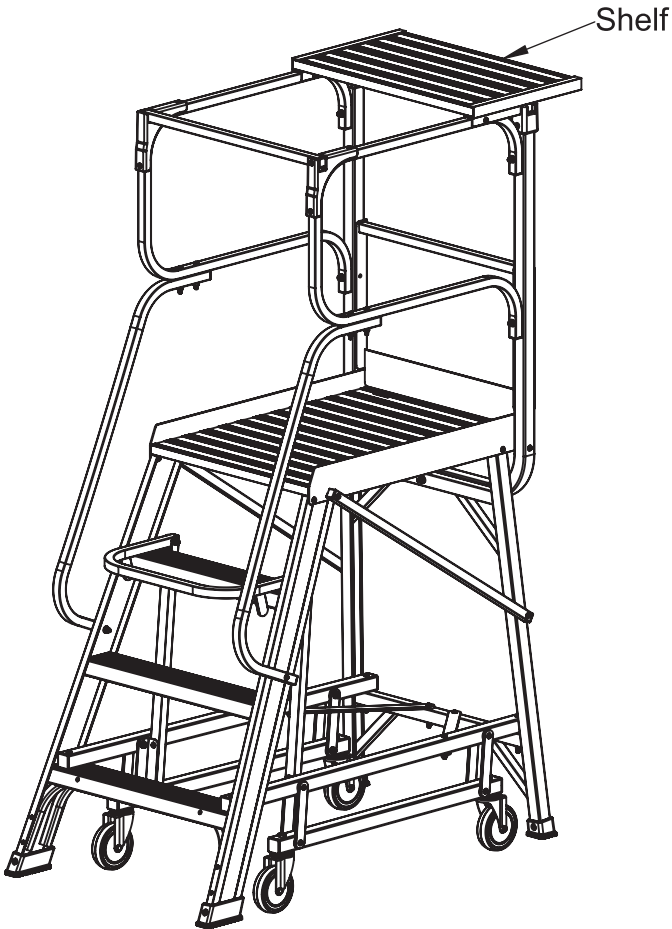


Insert Only One (1) Screw  
When Assembling The  
Walk Thru' Configuration.

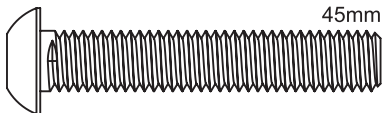
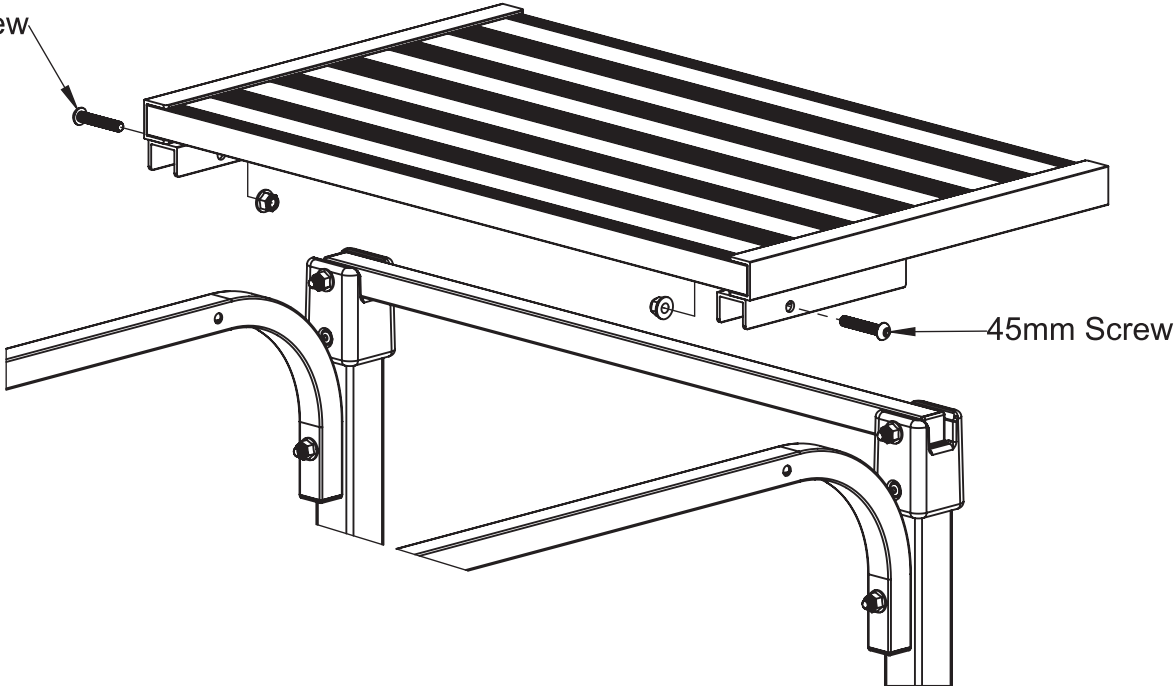


# STEP 14

## Assemble Shelf to Top Handrails



45mm Screw



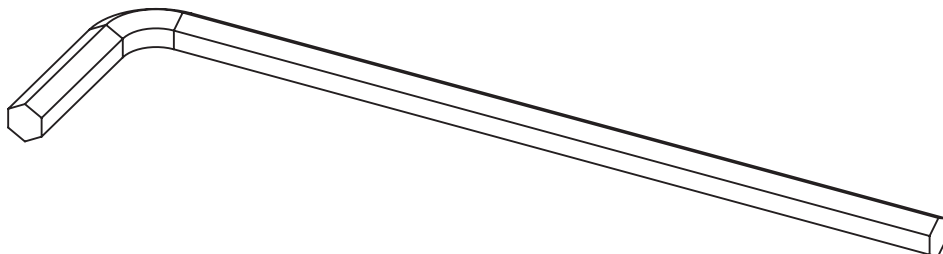
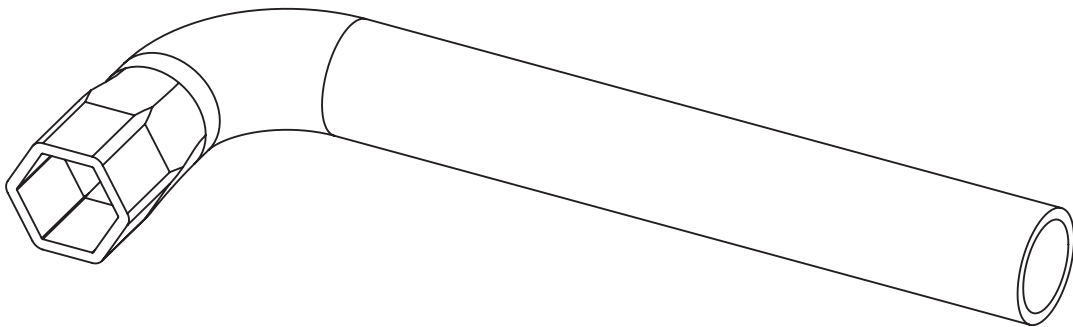
Skip This Step  
When Not Assembling  
The Shelf Configuration.

Firmly Tighten All Fasteners  
Assembled In Steps 6 Through 14.

Use The Bent Tube Spanner  
And Allen Key Supplied In The  
Component Kit.

Do Not Over-Tighten Fasteners.

Do Not Crush Hollow Sections.



Page Left Intentionally Blank

Page Left Intentionally Blank



[baileyladders.com.au](http://baileyladders.com.au)